

THIS DRAWING IS UNPUBLISHED.

RELEASED FOR PUBLICATION

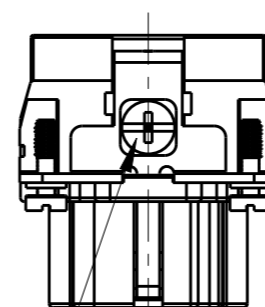
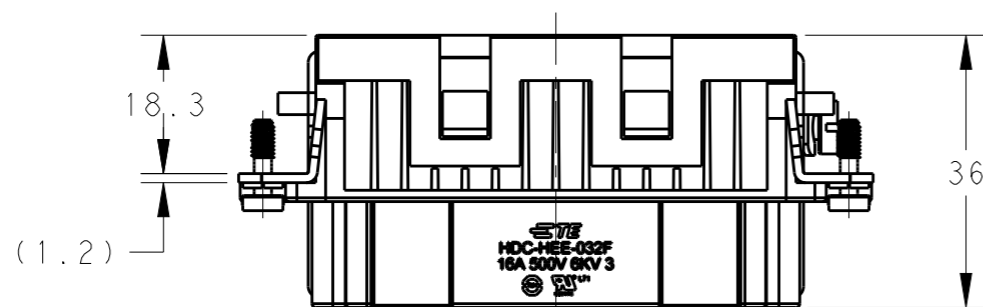
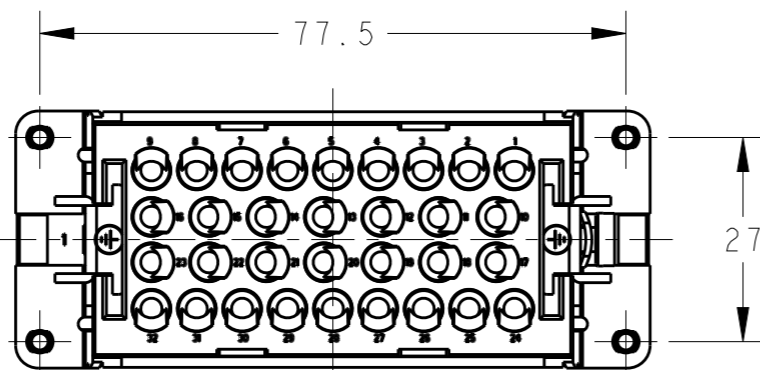
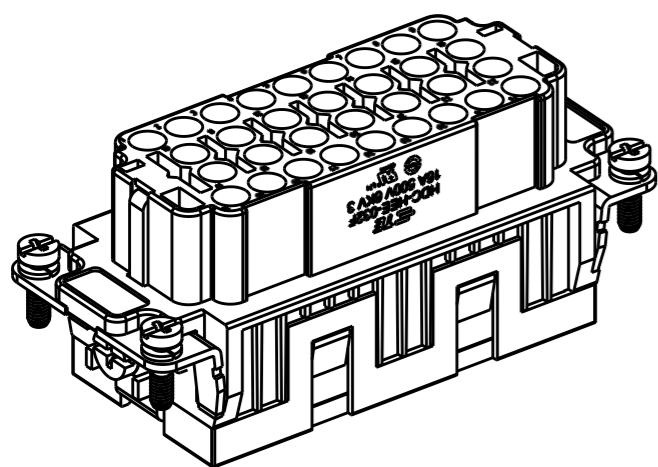
20

© COPYRIGHT 20 BY -

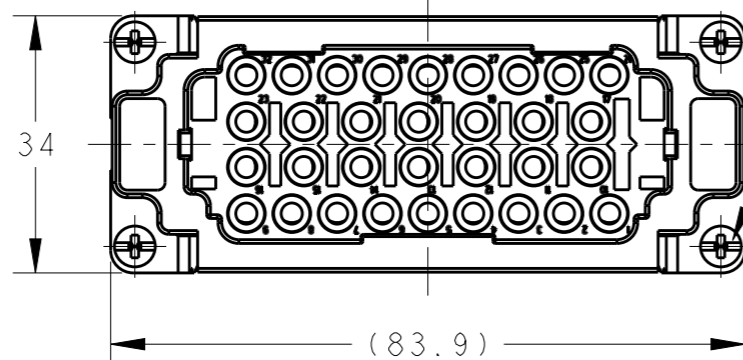
ALL RIGHTS RESERVED.

REVISIONS

P	LTR	DESCRIPTION	DATE	DWN	APVD
	A2	ECR-15-004309	18MAR2015	DW	CW
	A3	ECR-15-007632	25MAY2015	DW	CW
	B	ECR-15-014907	14OCT2015	DL	CW
	B1	ECR-16-015492	09NOV2016	QY	CW



M4 SCREW,
RECOMMENDED
TIGHTENING TORQUE 1.2Nm
M4螺丝, 推荐锁紧力矩1.2Nm



4X M3 SCREW, RECOMMENDED
TIGHTENING TORQUE 0.5Nm
4X M3螺丝, 推荐锁紧力矩0.5Nm

NOTES:

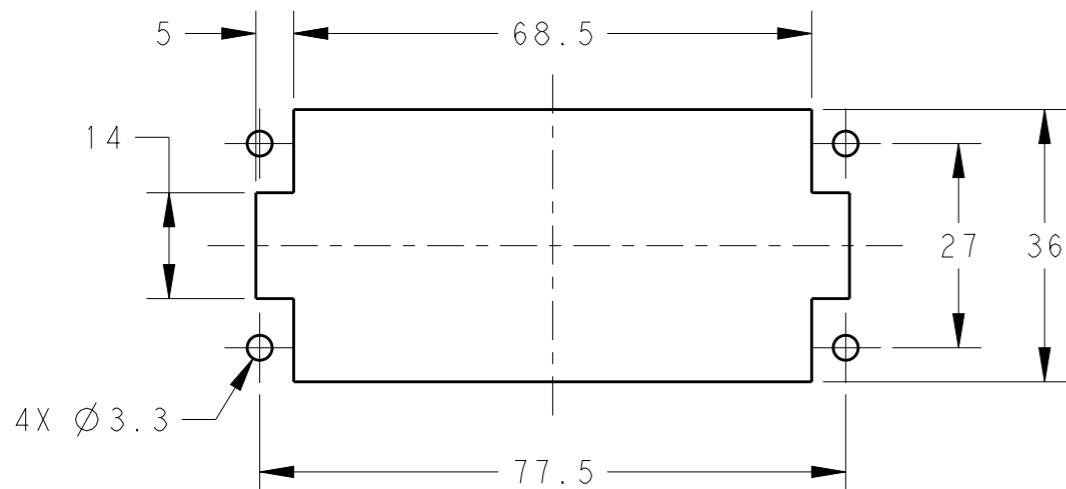
- TECHNICAL CHARACTERISTICS:
INSULATION MATERIAL: PC
RATED VOLTAGE: 500 V
RATED CURRENT: 16 A
INSULATION RESISTANCE: $\geq 400M\Omega$
RATED IMPULSE VOLTAGE: 6 KV
POLLUTION DEGREE: 3
FLAMMABILITY: UL94V-0
MATING CYCLES: 500 CYCLES
OPERATION TEMPERATURE: $-40-+125^{\circ}C$
WIRE RANGE: 0.14-4 mm² (26-12 AWG)
CONTACT TYPE: CRIMP CONTACT
- CONTACT NEED TO BE ORDERED SEPARATELY.
(ORDER No. REFER TO DRAWING:T20300X20XX000)

注释:

- 技术参数:
绝缘材料: PC
额定电压: 500V
额定电流: 16A
绝缘电阻: $\geq 400M\Omega$
额定脉冲电压: 6 KV
污染等级: 3
阻燃等级: UL94V-0
插拔次数: 500次
工作温度: $-40-+125^{\circ}C$
接线范围: 0.14-4 mm² (26-12 AWG)
接线类型: 冷压接
- 端子需要单独订购.
(订货号参考图面: T20300X20XX000)

PANEL CUT FOR INSERTS FOR USE
WITHOUT HOODS/ HOUSINGS
不使用防护外壳时芯件的安装开孔图

TYPE-1, T2050322201-000, WITH TE LOGO
类型-1, T2050322201-000, 带TE LOGO



THIS DRAWING IS A CONTROLLED DOCUMENT.

DIMENSIONS:	TOLERANCES UNLESS OTHERWISE SPECIFIED:
mm	0 PLC ±0.15
	1 PLC ±0.20
	2 PLC ±0.25
	3 PLC ±0.30
	4 PLC ±0.35
	ANGLES ±0.5
MATERIAL	FINISH
-	-

DWN	11JUN2014
David Wang	
CHK	11JUN2014
Chris Wang	
APVD	11JUN2014
Xiang Xu	
PRODUCT SPEC	108-106137
APPLICATION SPEC	114-106137
WEIGHT	-
Customer Drawing	

TE Connectivity		NAME		RESTRICTED TO
		HEE-032-F		
SIZE	CAGE CODE	DRAWING NO	-	
A3	00779	©-T2050322201000	-	
SCALE		SHEET	OF	REV
1:1		1	2	B1

THIS DRAWING IS UNPUBLISHED.

RELEASED FOR PUBLICATION

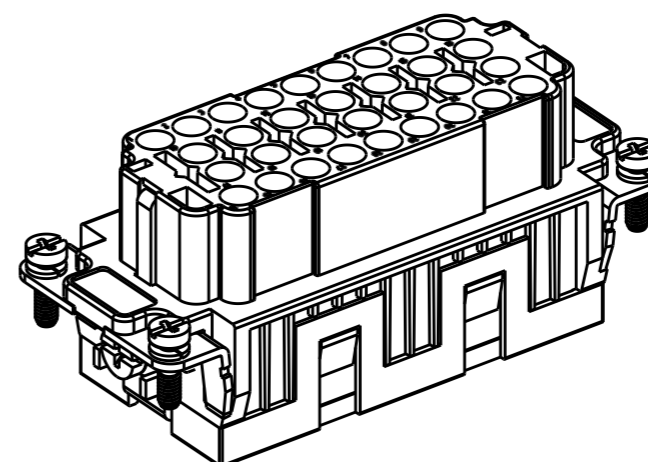
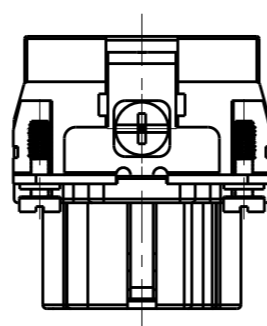
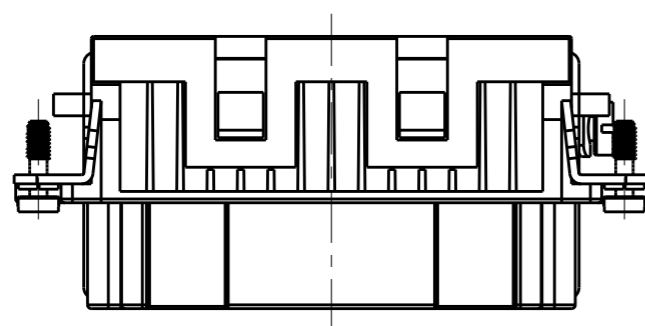
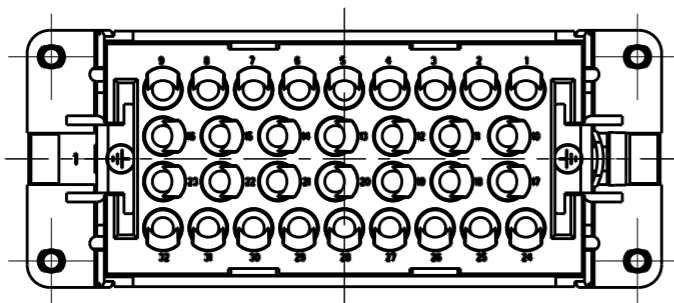
20

© COPYRIGHT 20 BY -

ALL RIGHTS RESERVED.

REVISIONS

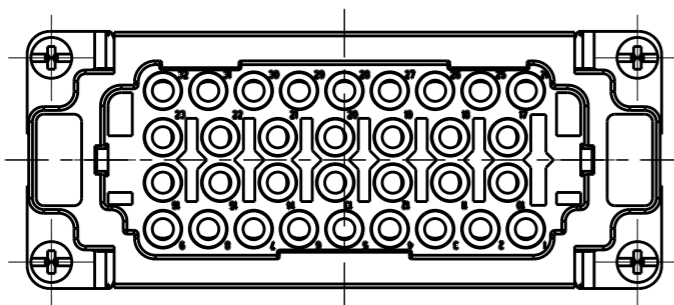
P	LTR	DESCRIPTION	DATE	DWN	APVD
-		SEE SHEET 1	-	-	-



NOTE:
ALL SPEC REFER TO TYPE 1

注释:
所有产品规范参照 TYPE 1

TYPE-2, T2050322201-001, WITH STAINLESS STEEL SCREW, WITHOUT LOGO
类型-2, T2050322201-001, 带不锈钢螺丝, 无LOGO



T2050322201-001	HEE-032-F	HEE-032 FEMALE INSERT, WITH STAINLESS STEEL SCREW, WITHOUT LOGO HEE-032 母插, 带不锈钢螺丝, 无LOGO	TYPE-2 类型-2
T2050322201-000	HEE-032-F	HEE-032 FEMALE INSERT HEE-032 母插	TYPE-1 类型-1
PART NUMBER 料号	PART DESCRIPTION 描述		TYPE 类型

THIS DRAWING IS A CONTROLLED DOCUMENT.		DWN 11 JUN 2014 David Wang		
DIMENSIONS: mm		CHK 11 JUN 2014 Chris Wang		
TOLERANCES UNLESS OTHERWISE SPECIFIED:		APVD 11 JUN 2014 Xiang Xu	NAME HEE-032-F	
0 PLC ±-		PRODUCT SPEC 108-106137	SIZE CAGE CODE DRAWING NO RESTRICTED TO	
1 PLC ±-		APPLICATION SPEC 114-106137	A3 00779 © T2050322201000 -	
2 PLC ±-		WEIGHT -	SCALE 1:1 SHEET 2 OF 2 REV B1	
3 PLC ±-		Customer Drawing		
4 PLC ±-				
ANGLES ±-				
FINISH				
-				
-				