

4

3

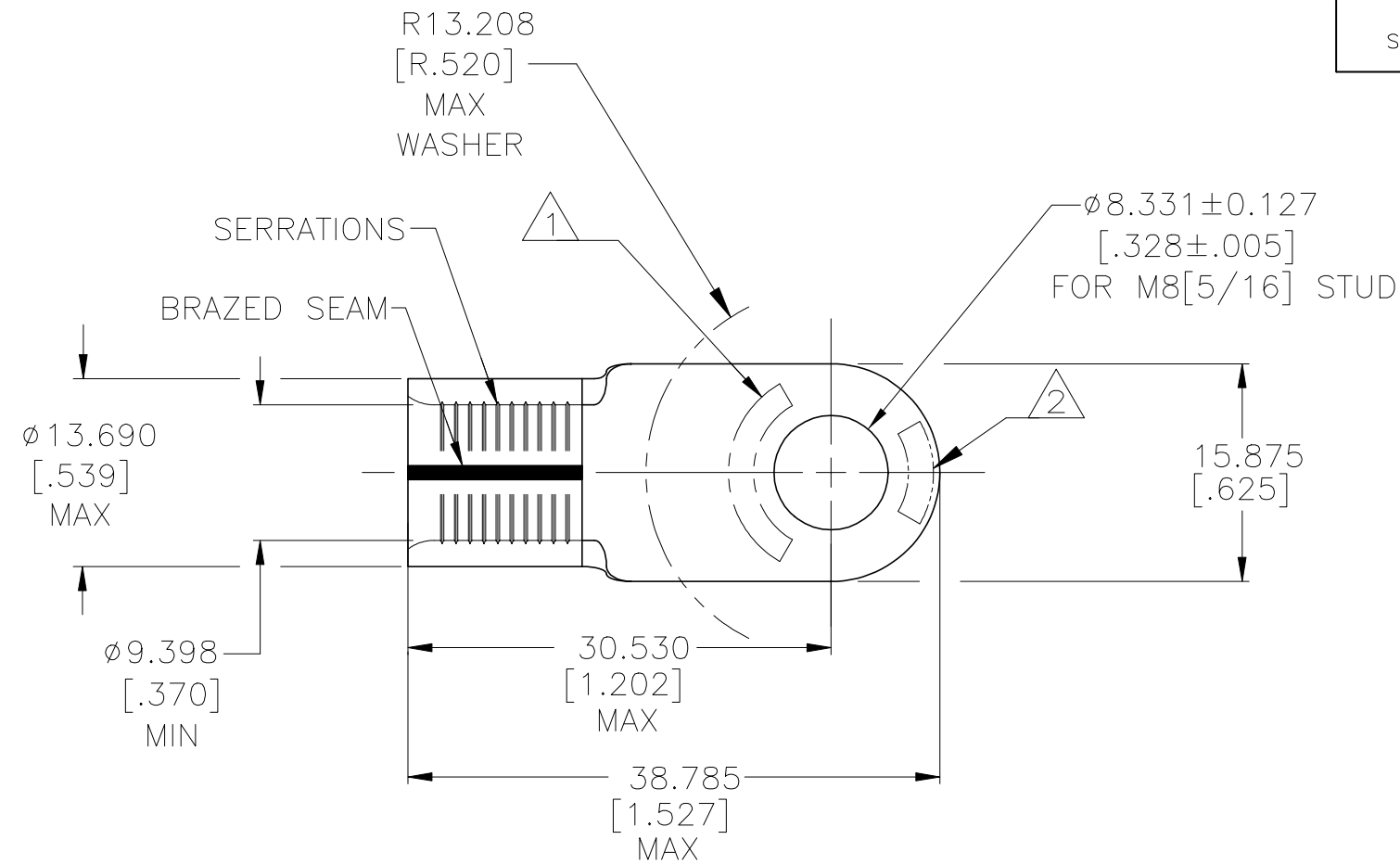
2

1

THIS DRAWING IS UNPUBLISHED. RELEASED FOR PUBLICATION
 © COPYRIGHT - By - ALL RIGHTS RESERVED.

REVISIONS				
P	LTR	DESCRIPTION	DATE	APVD
J4		REVISED PER ECR-17-000528	01FEB2017	BDA DR
J5		REVISED PER ECO-19-004320	22MAR2019	RS DR

AMP WIRE RANGE	Listed FILE E13288	LR7189 Certified	MILITARY P/N AND CLASS
2 AWG SOLID OR STRANDED	2 AWG STRANDED	2 AWG SOLID OR STRANDED	MS 20659-147 CLASS 2



- STAMP AMP 2W* APPROX AS SHOWN.
- STAMP 60-75 APPROX AS SHOWN.
- 3 MATERIAL THK: 1.778±0.076[.070±.003].
- TIN PL 0.00254[.000100] MIN EXT. THK PER ASTM B545
- NICKEL PL 0.00762[.000300] MIN EXT THK PER SAE AMS QQ-N-290.
- PRODUCT SPECIFICATION: SAE AS7928
- GOLD PL 0.00127[.000050] MIN THK PER MIL-G-45204 OVER NICKEL PL 0.00076[.000030] MIN THK PER SAE AMS QQ-N-290.
- 8 NOTE DELETED
- PRODUCT SPECIFICATION: UL 486A-B

QTY.	PACKAGE TYPE	MAX TEMP RATING	FINISH	SHEET	PART NO.
25	↑ LOOSE PIECE ↓	170°C[338°F]		1	8-322870-3
50		343°C[650°F]		1	2-322870-2
PRELIMINARY 50		343°C[650°F]		2	322870-3
50		170°C[338°F]		2	322870-1
50		170°C[338°F]		1	322870

AMP INCORPORATED CUSTOMER SERVICE SYSTEMS		MAX RECOMMENDED OPERATING TEMPERATURE: SEE TABLE	THIS DRAWING IS A CONTROLLED DOCUMENT.		DWN 5/25/93 DK SCHRUM	TE Connectivity Ltd.				
FOR ADDITIONAL PRODUCT INFORMATION OR COPIES OF DRAWINGS AND TECHNICAL DOCUMENTS	PRODUCT INFORMATION CENTER 1-800-522-6752	VOLTAGE RATING: N/A	DIMENSIONS: mm[INCHES]	TOLERANCES UNLESS OTHERWISE SPECIFIED:	CHK 1/27/94 RD HEIM					NAME
FOR APPLICATION TOOLING INFORMATION	TOOLING ASSISTANCE CENTER 1-800-722-1111	CIRCULAR MIL AREA: 26.7-42.4mm² [52,600-83,700] SOLID OR STRANDED		0 PLC ± - 1 PLC ± - 2 PLC ± - 3 PLC ± 0.203[.008] 4 PLC ± - ANGLES ± -	APVD 1/27/94 JL MECKLEY	TERMINAL, RING TONGUE, SOLISTRAND AND STRATO-THERM, 2 AWG				
FOR ORDER ENTRY	1-800-526-5142		MATERIAL COPPER ASTM B-152 ANNEALED	FINISH SEE TABLE	PRODUCT SPEC SEE NOTES & TABLE	APPLICATION SPEC	SIZE A3	CAGE CODE 00779	DRAWING NO C-322870	RESTRICTED TO
					CUSTOMER DRAWING	SCALE 2:1	SHEET 1 of 2	REV J5		

4

3

2

1

THIS DRAWING IS UNPUBLISHED.

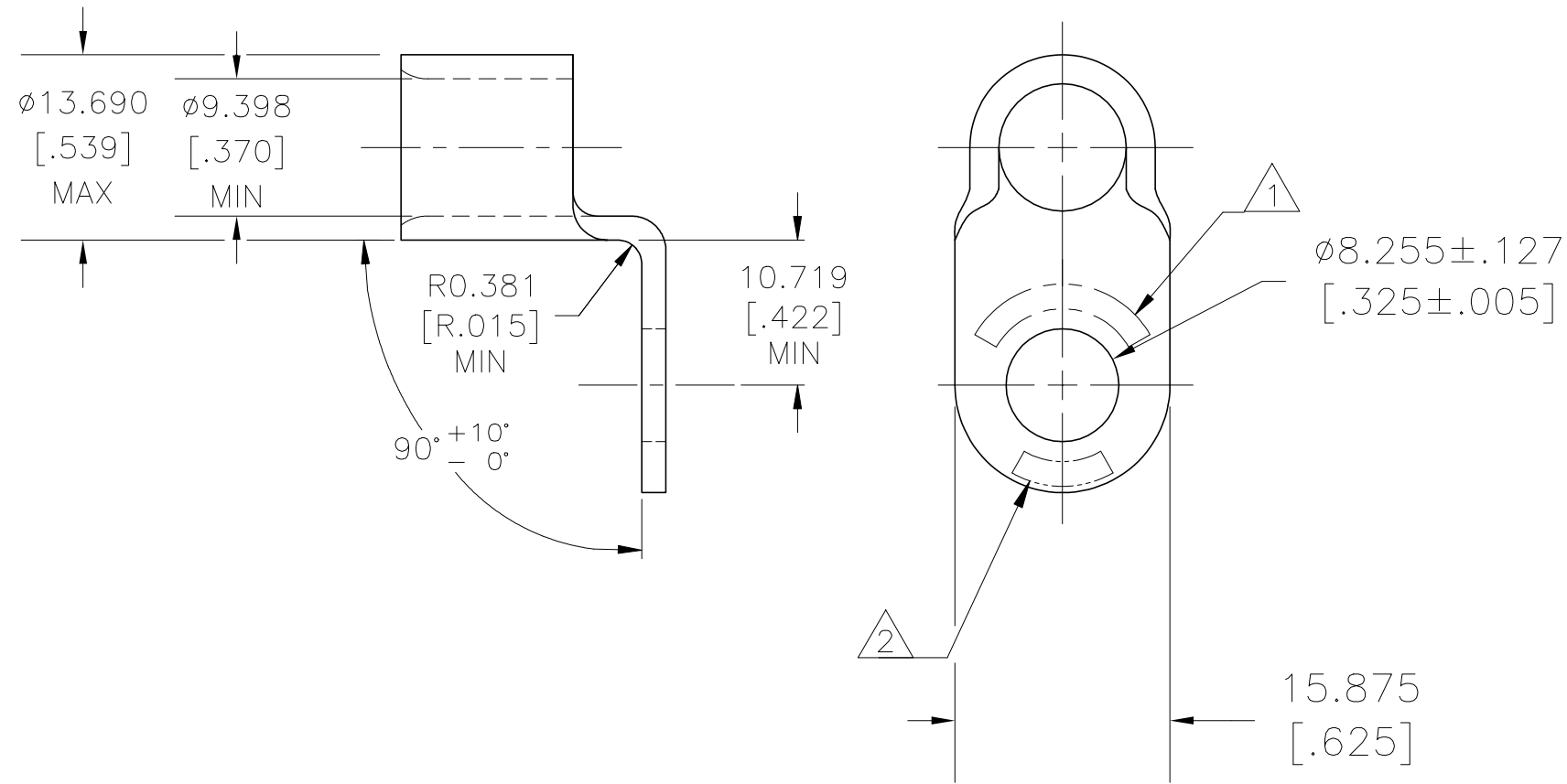
RELEASED FOR PUBLICATION

ALL RIGHTS RESERVED.

REVISIONS

© COPYRIGHT - By -

P	LTR	DESCRIPTION	DATE	DWN	APVD
-	-	SEE SHEET 1	-	-	-
-	-	SEE SHEET 1	-	-	-



FOR P/N 322870-1 & -3 ONLY

AMP INCORPORATED
CUSTOMER SERVICE SYSTEMS

MAX RECOMMENDED OPERATING TEMPERATURE:
SEE TABLE

THIS DRAWING IS A CONTROLLED DOCUMENT.

DWN DK SCHRUM 5/25/93



FOR ADDITIONAL PRODUCT INFORMATION OR COPIES OF DRAWINGS AND TECHNICAL DOCUMENTS

PRODUCT INFORMATION CENTER
1-800-522-6752

VOLTAGE RATING:
N/A

DIMENSIONS:
mm[INCHES]

TOLERANCES UNLESS OTHERWISE SPECIFIED:

CHK RD HEIM 1/27/94

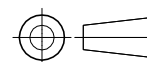
APVD JL MECKLEY 1/27/94

NAME
TERMINAL, RING TONGUE,
SOLISTRAND AND STRATO-THERM, 2 AWG

FOR APPLICATION TOOLING INFORMATION

TOOLING ASSISTANCE CENTER
1-800-722-1111

CIRCULAR MIL AREA:
26.7-42.4mm² [52,600-83,700]
SOLID OR STRANDED



0 PLC	± -
1 PLC	± -
2 PLC	± -
3 PLC	± 0.203[.008]
4 PLC	± -
ANGLES	± -

PRODUCT SPEC

SEE NOTES & TABLE

APPLICATION SPEC

SIZE CAGE CODE DRAWING NO RESTRICTED TO

FOR ORDER ENTRY

1-800-526-5142

MATERIAL
COPPER ASTM B-152
ANNEALED

FINISH
SEE TABLE

WEIGHT -

A3 00779 C-322870

CUSTOMER DRAWING

SCALE 2:1 SHEET 2 OF 2 REV J5