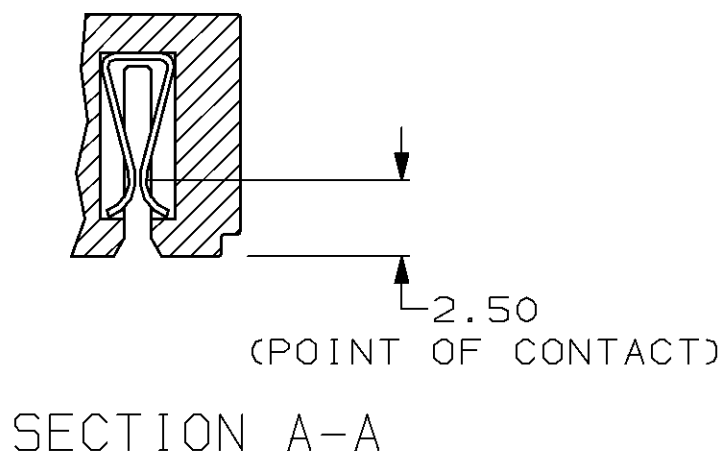
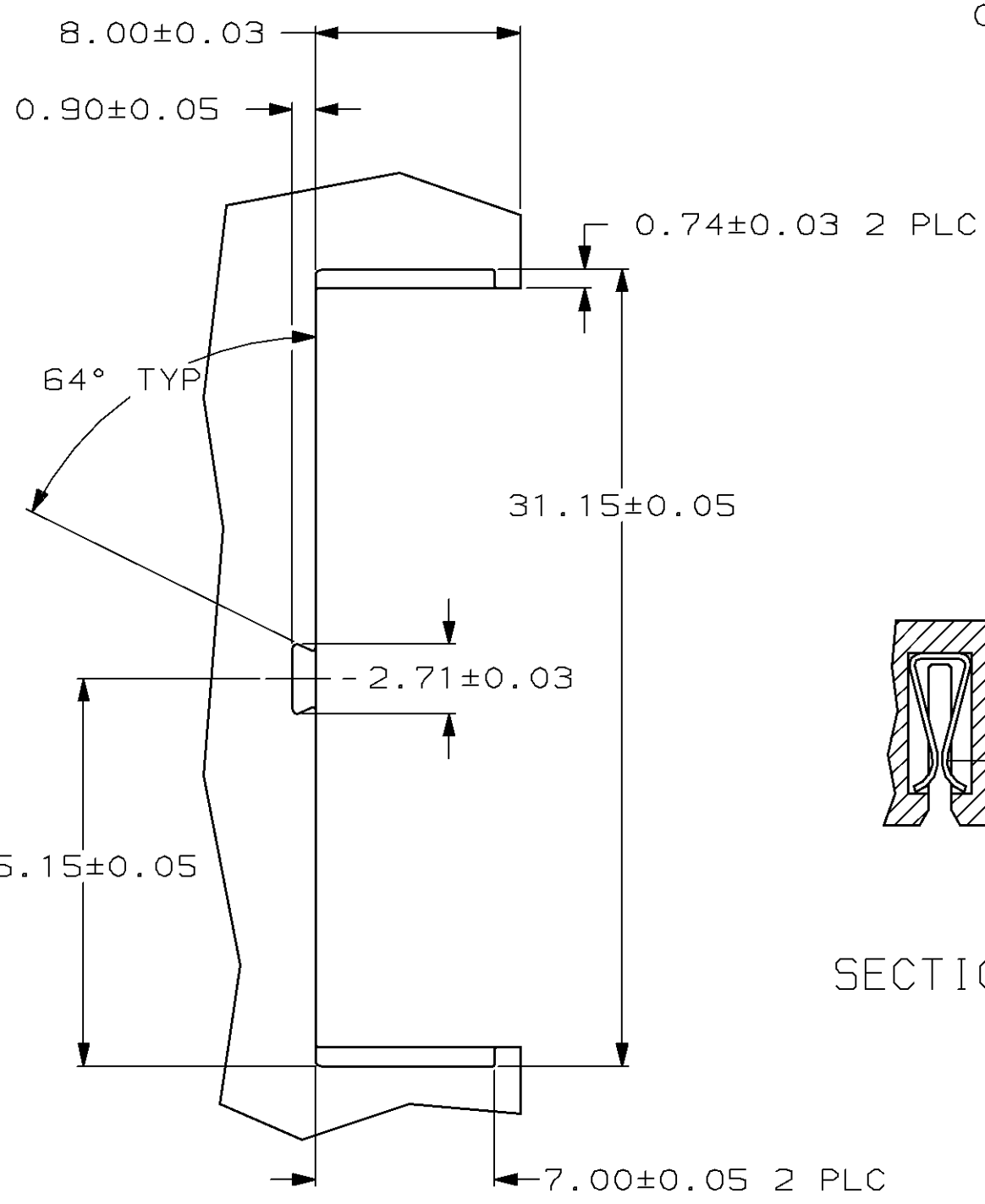
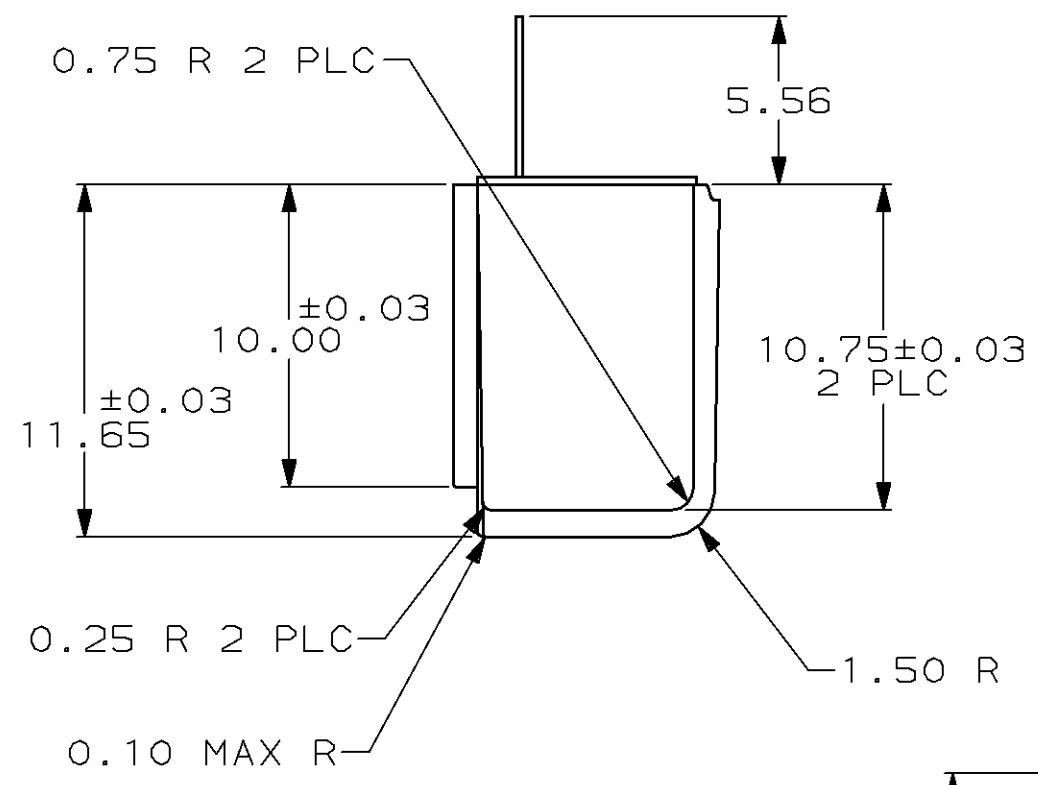
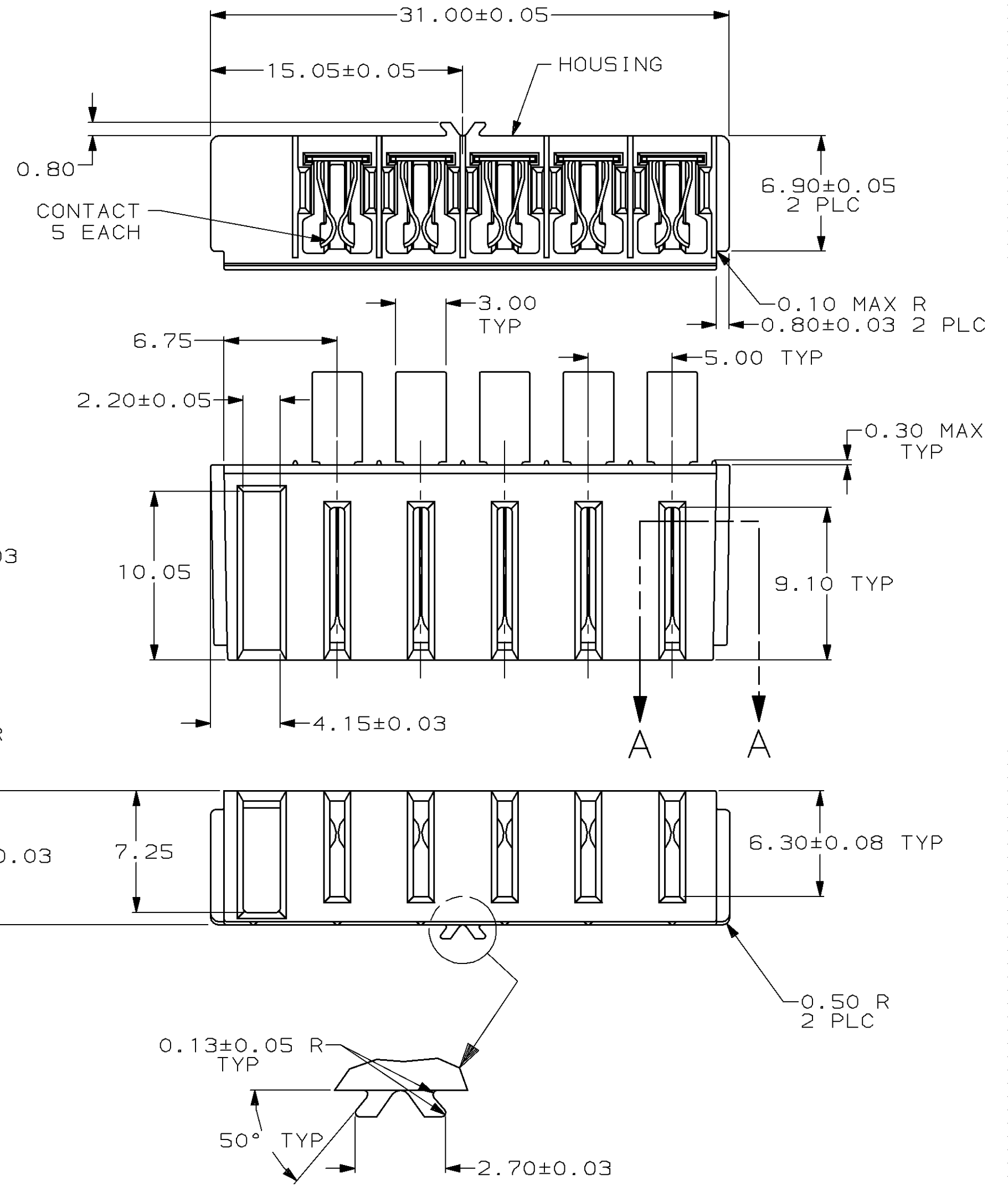


LOC		DIST		ZONE		LTR		REVISIONS			
BD	39	P	F					DESCRIPTION	DATE	APPD	
								0	RELEASED PER NPR 5430 WAS 95-2258-1-1	10/9/95	RSK



DO NOT SCALE PRINT. UNLESS SPECIFIED DIMENSIONS IN mm TOLERANCES ON : 2 PLC DEC ±0.10 3 PLC DEC ± - ANGLES ± 2°		DR 10/9/95 R.S.KLINE	AMP Incorporated Harrisburg, PA 17105-3608		
MATERIAL HOUSING: POLYCARBONATE COLOR: BLACK CONTACTS: COPPER ALLOY		CHK 10/12/95 R.S.KLINE			
FINISH CONTACTS: PRE-NICKEL		APPD 10/12/95 R.S.KLINE	NAME INSERT ASSEMBLY, 5 POSITION, SINGLE KEY, DOVETAIL LOCATOR, 5mm $\phi$ , 7.2 VOLT, BATTERY INTERCONNECT		
APPLICATION SPEC		PRODUCT SPEC	SIZE	CAGE CODE	DRAWING NO
-		-	C	00779	C=787613
WEIGHT		-	SCALE	4:1	REV.: C SHEET 1 OF 1

THIS DRAWING IS A CONTROLLED DOCUMENT FOR AMP INCORPORATED. IT IS SUBJECT TO CHANGE AND THE CONTROLLING ENGINEERING ORGANIZATION SHOULD BE CONTACTED FOR THE LATEST REVISION.

CUSTOMER DRAWING