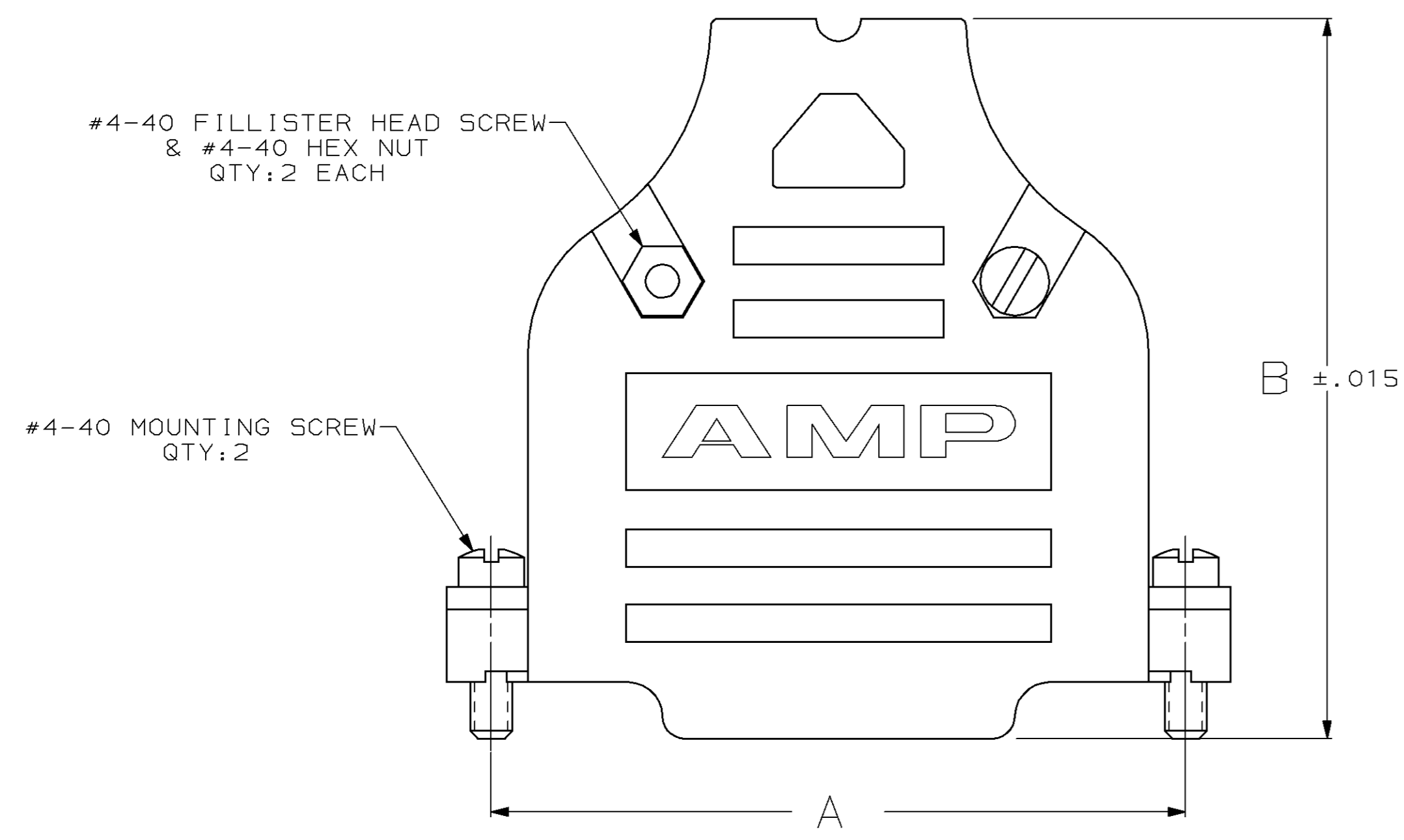
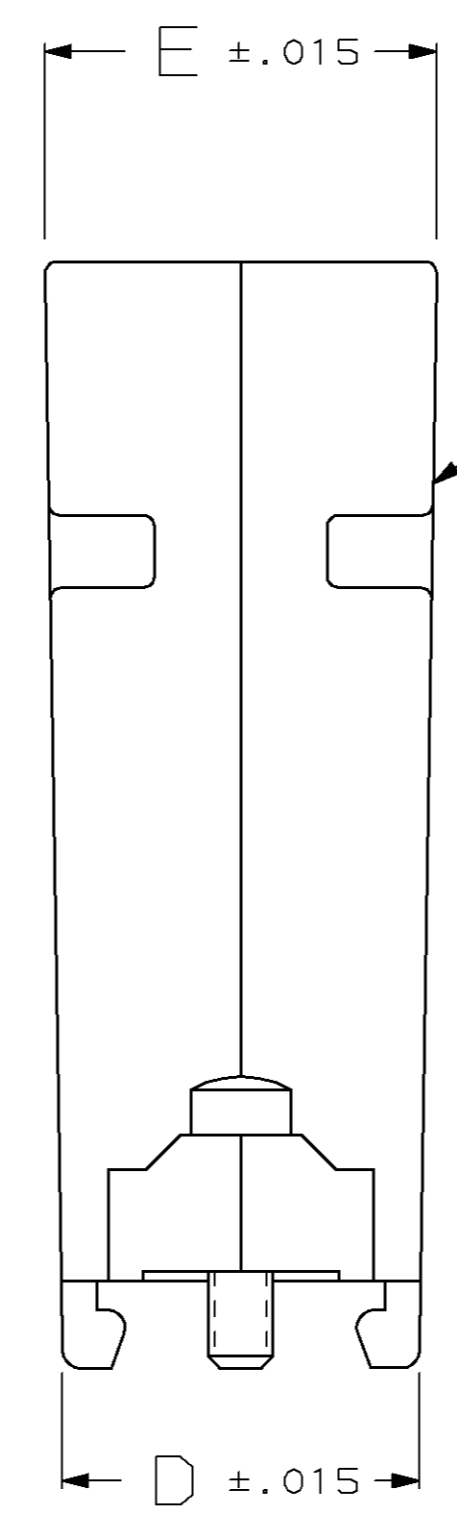
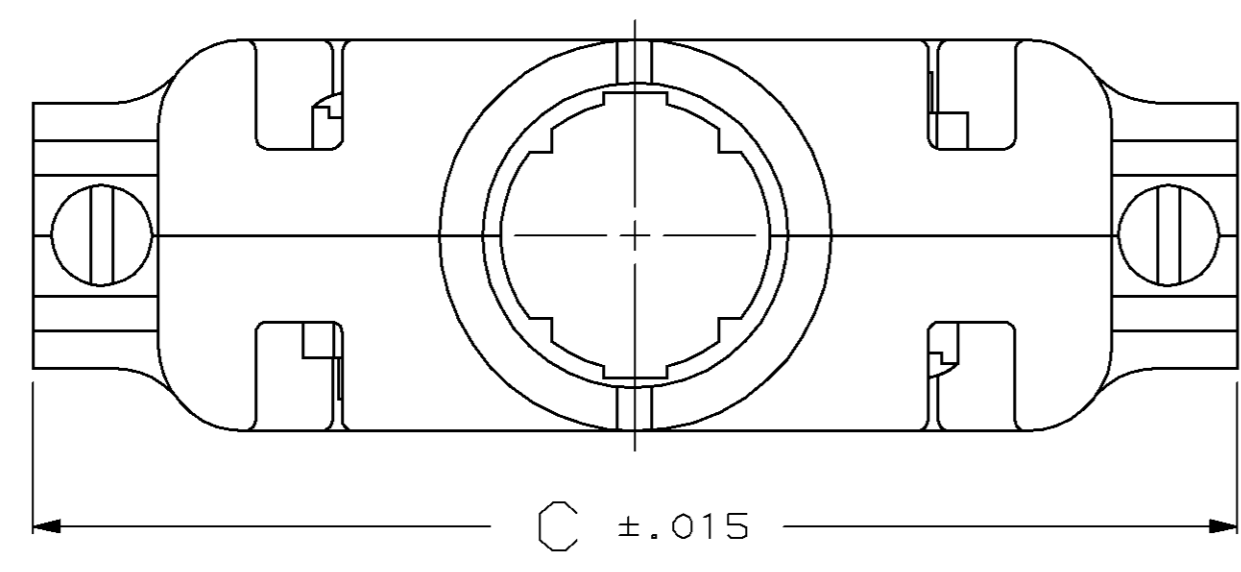
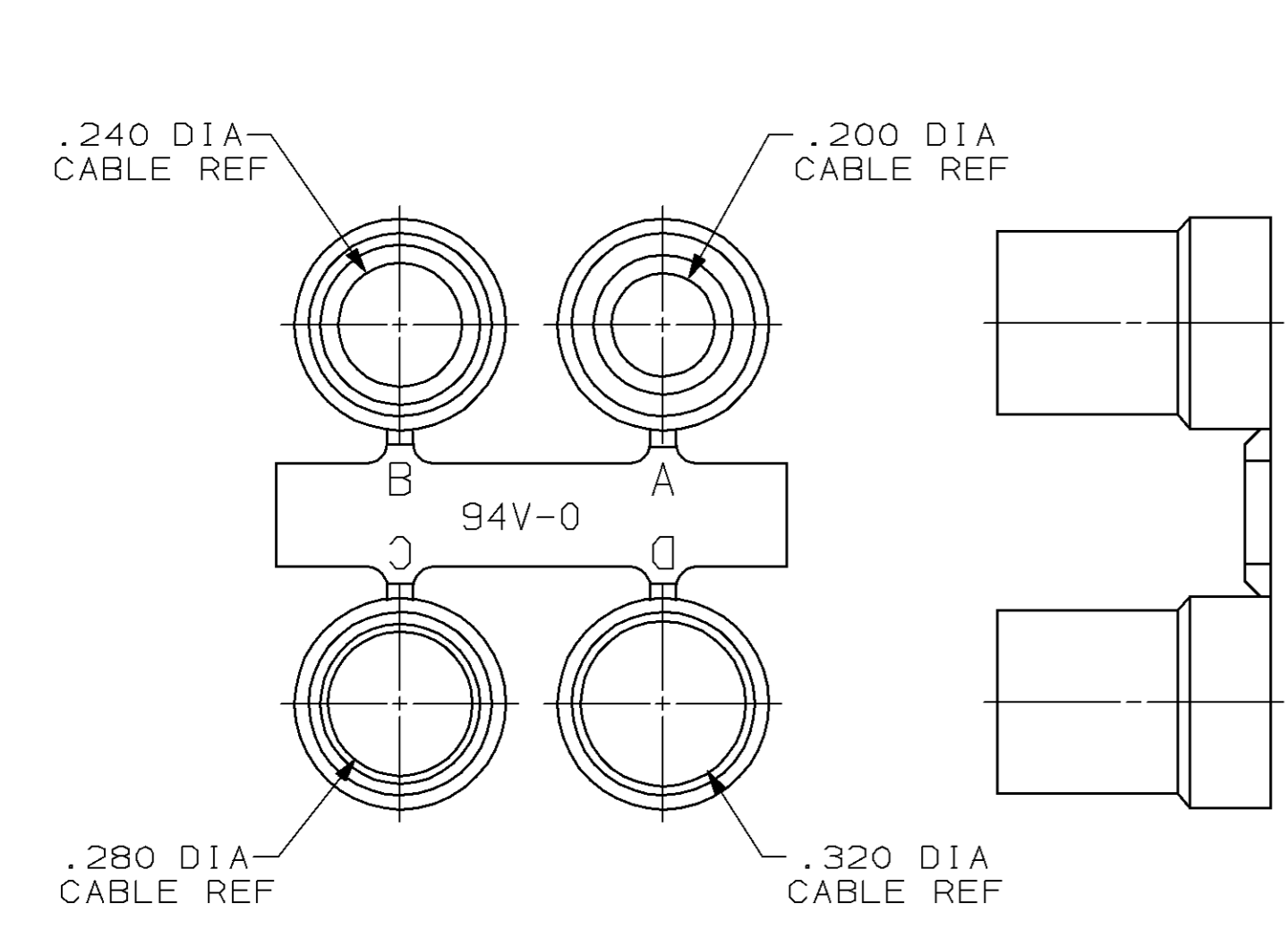


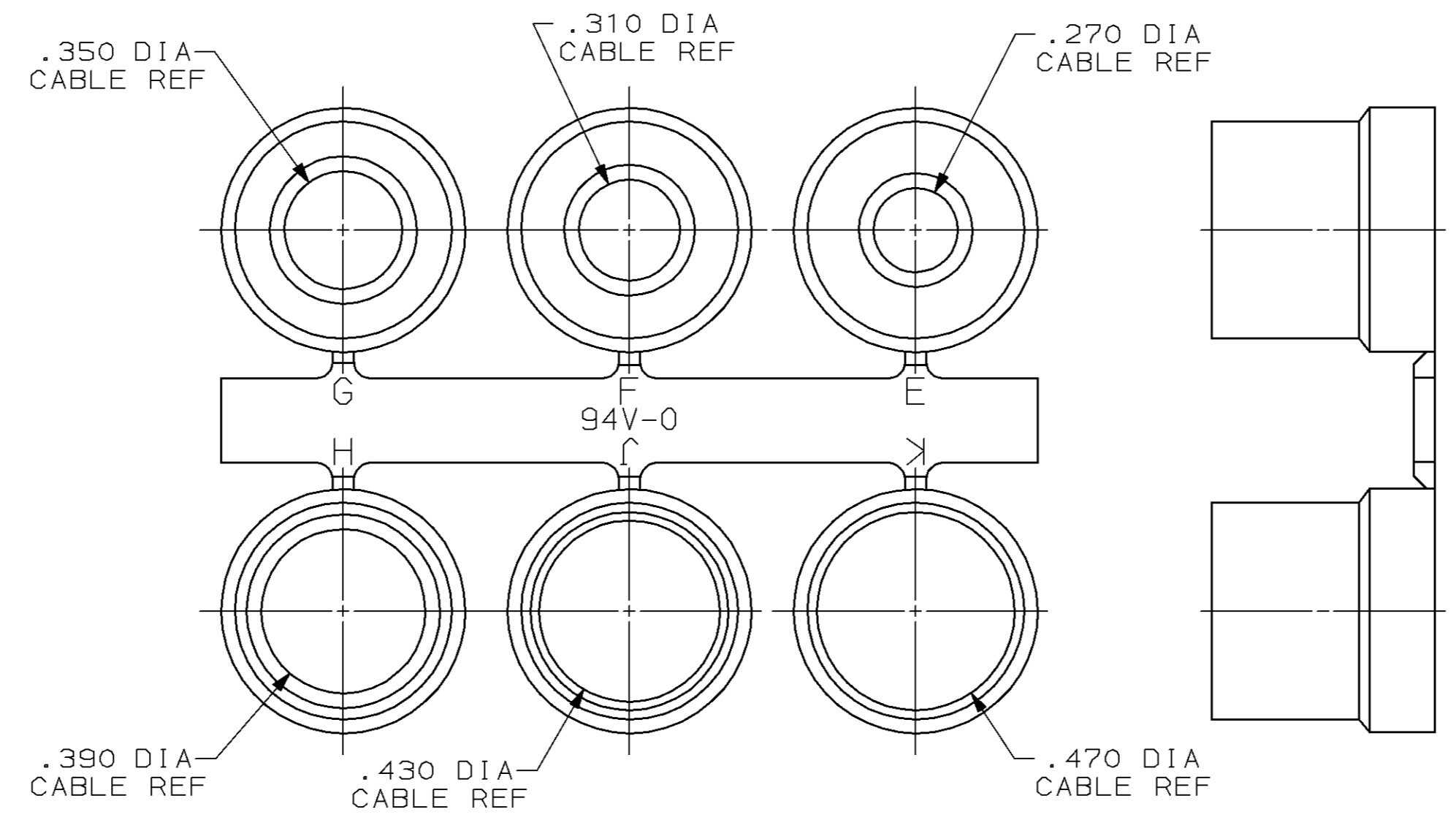
LOC		DIST		REVISEMENTS		DATE		APPD	
BD	48	P	F	ZONE	LTR	DESCRIPTION	DATE	APPD	
						O RELEASED	-	-	
						A REVISED PER ECN-2422	8/24/88	SW	
						B REVISED PER ECN BD5388	11/27/91	RM	
						C REV PER EC 0020-117-93	03/17/93	SB	
						C1 ADDED -6, -7, -8 PER NPR 4841	07/09/93	MW	
						D REV PER EC 0020-1344-93	11/01/93	SB	
						E OBSOLETE -6 THRU -8 PER EC 0420-141-96	25 SEPT 97	SB	



- PARTS PACKAGED UNASSEMBLED AS A UNIT KIT.
 CABLE CLAMP HALVES: BLACK ABS MOLDING COMPOUND, FILLISTER HEAD SCREWS, HEX NUTS & MOUNTING SCREWS: STEEL PER ASTM A108, GROMMETS: FLEXIBLE PVC, UL 94V-0 RATED, COLOR: BLACK.
- CABLE CLAMP HALVES: NICKEL OVER COPPER, FILLISTER HEAD SCREWS, HEX NUTS & MOUNTING SCREWS: ZINC PLATED PER ASTM B633, TYPE III, CLASS SC1, CLEAR CHROMATE.



GROMMET ASSORTMENT FOR SIZES 1 & 2 ONLY



GROMMET ASSORTMENT FOR SIZES 3, 4 & 5 ONLY

OBSOLETE	SMALL PACK	.680	.640	2.090	1.920	1.852	3	748677-8
OBSOLETE	SMALL PACK	.620	.620	1.545	1.910	1.312	2	748677-7
OBSOLETE	SMALL PACK	.570	.630	1.215	1.910	.984	1	748677-6
	STANDARD	.900	.730	2.644	1.920	2.406	5	748677-5
	STANDARD	.800	.620	2.738	1.920	2.500	4	748677-4
	STANDARD	.680	.640	2.090	1.920	1.852	3	748677-3
	STANDARD	.620	.620	1.545	1.910	1.312	2	748677-2
	STANDARD	.570	.630	1.215	1.910	.984	1	748677-1
	PACKAGING	E	D	C	B	A	SIZE	PART NO

DO NOT SCALE PRINT. UNLESS SPECIFIED DIMENSIONS IN INCHES TOLERANCES ON : 2 PLC DEC ± .005 3 PLC DEC ± .005 ANGLES ± -	DR 5/4/88 S. WELDON CHK 5/4/88 W.G. LENKER APPD 5/6/88 R. WHYNE APPD 5/6/88 V. KUMAR PRODUCT SPEC -	AMP AMP INCORPORATED Harrisburg, Pa. 17105	
MATERIAL 2	FINISH 3	APPLICATION SPEC -	WEIGHT -
NAME KIT, CABLE CLAMP, 180° EXIT, W/GROMMETS, PLATED PLASTIC, AMPLIMITE®		SIZE D 00779	FSCM NO 748677
DRAWING NO 748677		SCALE 3:1	SHEET 1 OF 1