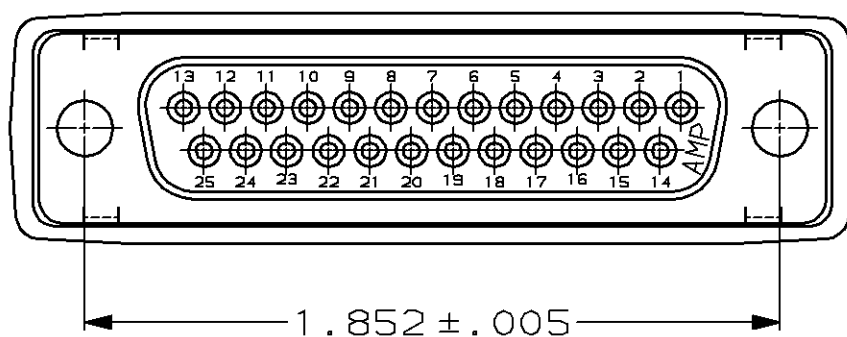
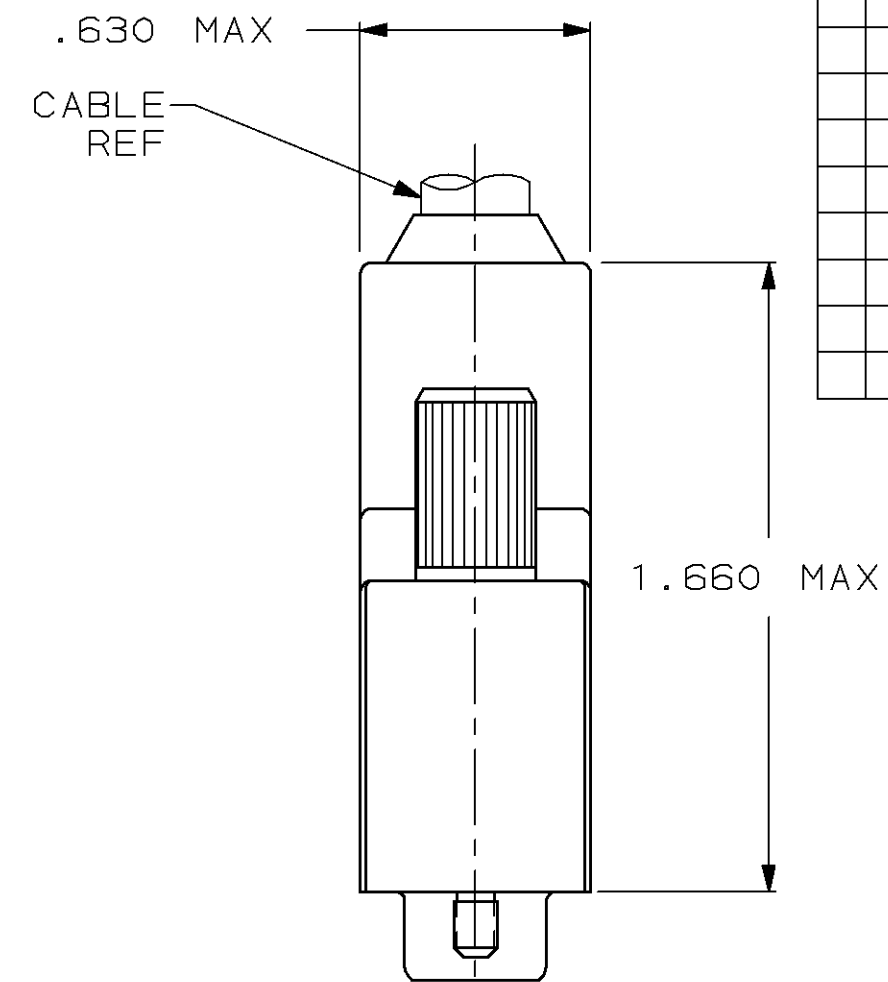
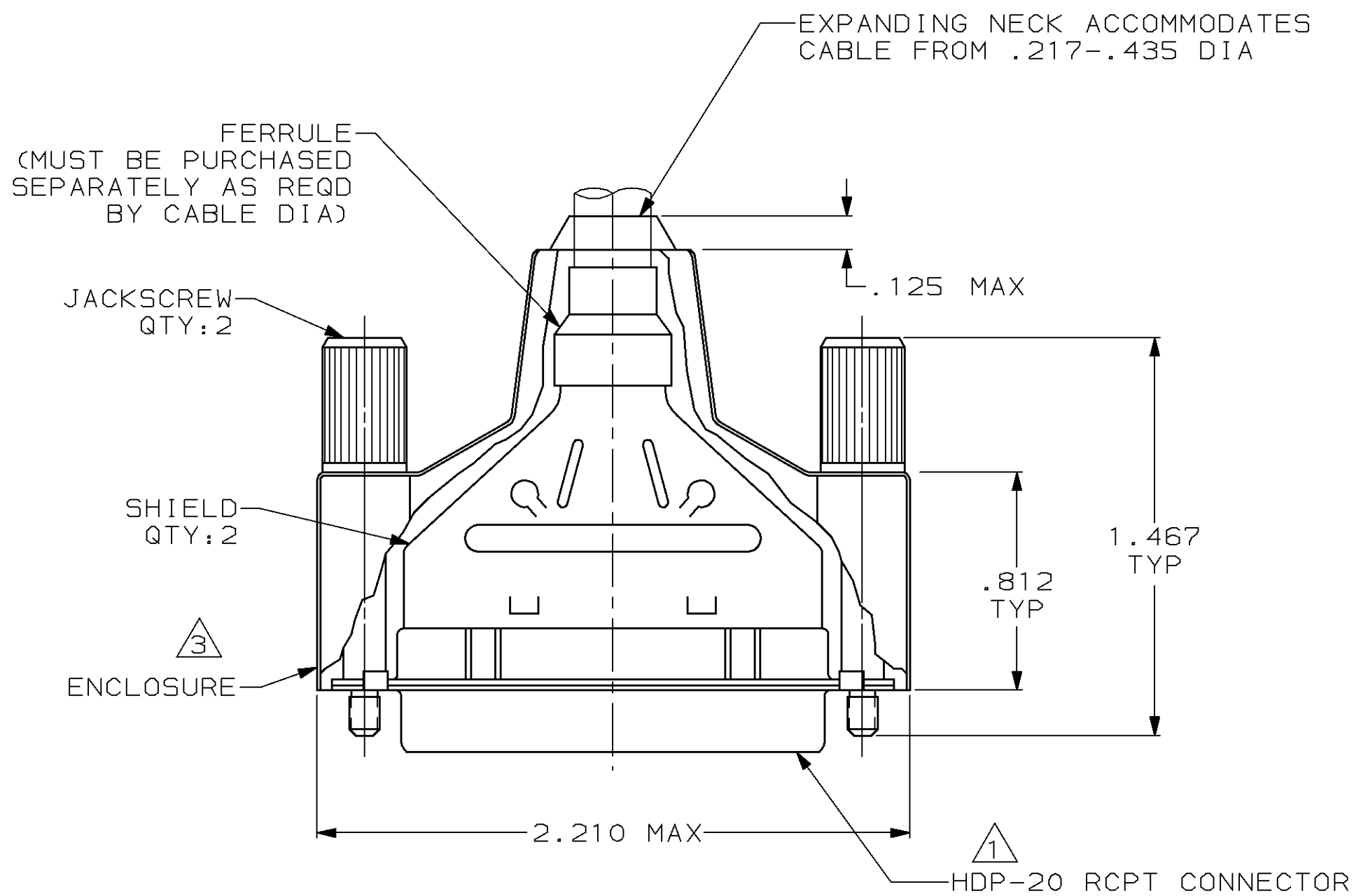


THIS DRAWING IS UNPUBLISHED. RELEASED FOR PUBLICATION
 © COPYRIGHT 19 BY AMP INCORPORATED. ALL INTERNATIONAL RIGHTS RESERVED.

LOC	DIST	P	F	ZONE	LTR	DESCRIPTION	DATE	APPD
BD	48				F	REDRAWN	6/4/90	-
					G	REV PER ECN BD4493	12/17/90	-
					H	REV PER ECN BD4814	05/31/91	-
					J	REVISED PER ECN BD6133	04/02/92	TMS
					K	ADDED -4 PER NPR 4258	07/09/92	SB
					L	ADDED -5 PER EC 0020-40-95	01/18/95	JS
					M	REV PER EC 0020-373-95	04/25/95	JS
					N	REV PER EC 0020-602-95	06/13/95	JS
					P	OBS -2 PER EC 0020-524-96	23 AUG 96	LF
					R	OBS -4 PER EC 0420-143-96	18 SEP 97	SB
					S	OBS -5 PER EC 0420-145-96	23 SEP 97	SB



- ① RCPT ACCEPTS SIZE 20 DF SOCKET CONTACTS. CONTACTS MUST BE PURCHASED SEPARATELY.
- 2. ALL PARTS SHIPPED UNASSEMBLED.
- ③ FLAME RETARDANT 94V-0 RATED, STYRENE POLYOLEFIN OR PVC, BLACK.
- ④ FLAME RETARDANT 94V-0 RATED GLASS FILLED, NYLON OR POLYESTER, BLACK.
- ⑤ STEEL PER ASTM A109.
- ⑥ TIN PLATING PER MIL-T-10727.
- ⑦ BODY: BLACK ELECTROLESS NICKEL PER QQ-N-290.
- ⑧ COMPONENTS INDIVIDUALLY BULK PACKED.
- ⑨ INDIVIDUAL KIT PACKAGING OF COMPONENTS.
- ⑩ SEE RESTRICTED CUSTOMER DRAWING 747955-4.
- ⑪ ZINC ALLOY.
- ⑫ BODY: CARBON STEEL PER ASTM A 108. HEAD: PVC 94V-0 RATED, BLACK.
- ⑬ PHOS-E COATING, BLACK.

OBSOLETE	⑧	W/LOGO	⑦	⑫	747955-5
OBSOLETE	⑨	W/LOGO	- ⑬	- ⑪	⑩ 747955-3
OBSOLETE	⑧	W/OUT LOGO	⑬	⑪	747955-2
	⑧	W/LOGO	⑬	⑪	747955-1
PACKAGING		REMARKS	JACKSCREWS FINISH	JACKSCREWS MATERIAL	PART NUMBER

DO NOT SCALE PRINT. UNLESS SPECIFIED DIMENSIONS IN INCHES TOLERANCES ON : 2 PLC DEC ± - 3 PLC DEC ± .020 ANGLES ± -	DR 6/4/90 A. STAUB BG CHK 8-31-90 J. McCLINTON APPD 9-4-90 BOB TAYLOR	AMP INCORPORATED Harrisburg, Pa. 17105			
MATERIAL INSERT: ④ SHELLS & SHIELDS: ⑤ JACKSCREWS: SEE TABLE	APPD 9-4-90 J. ASSINI PRODUCT SPEC -				
FINISH SHELLS & SHIELDS: ⑥ JACKSCREWS: SEE TABLE	APPLICATION SPEC -	SIZE C	FSCM NO 00779	DRAWING NO 747955	
	WEIGHT -	SCALE 2:1		SHEET 1 OF 1	