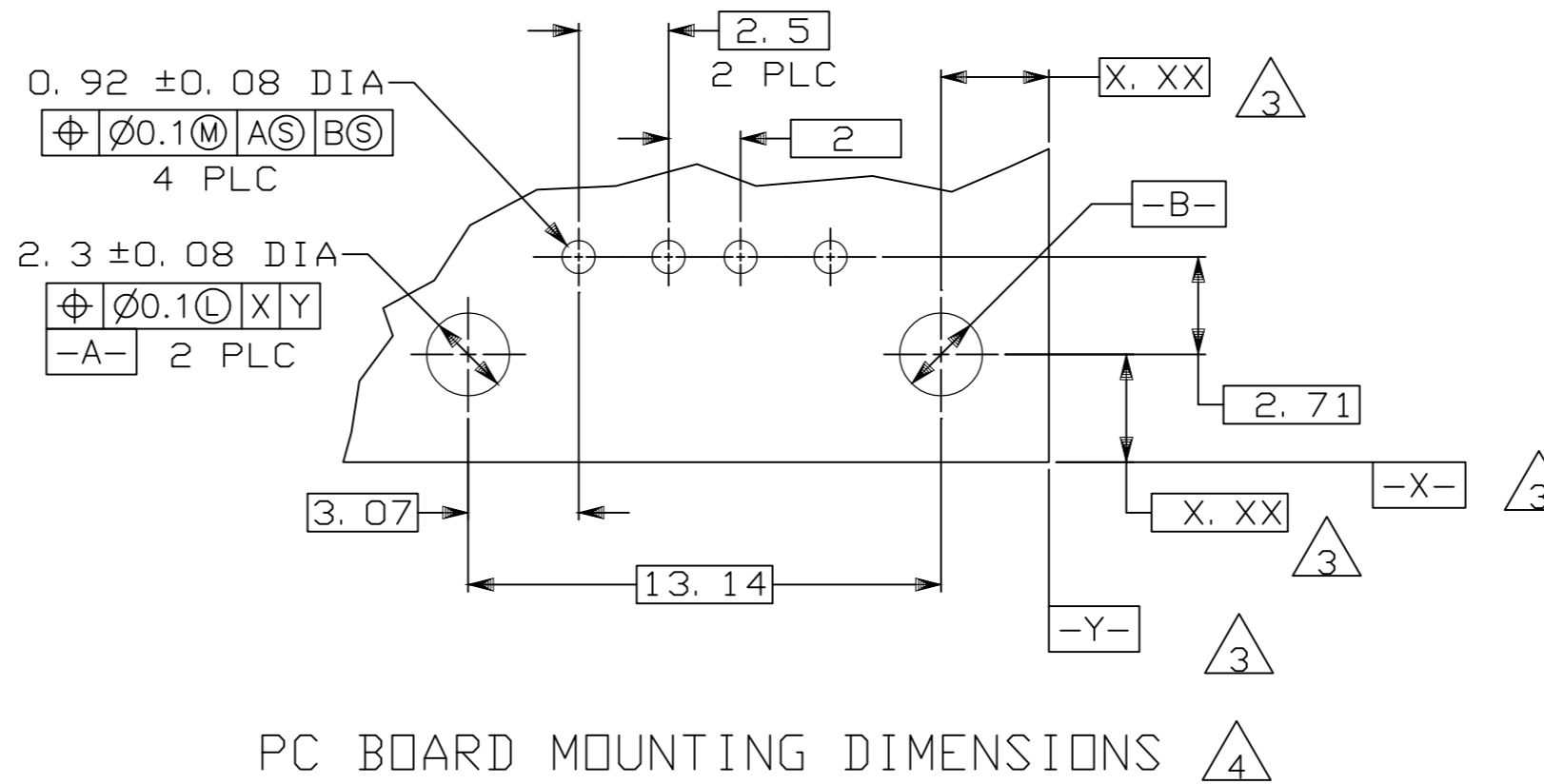
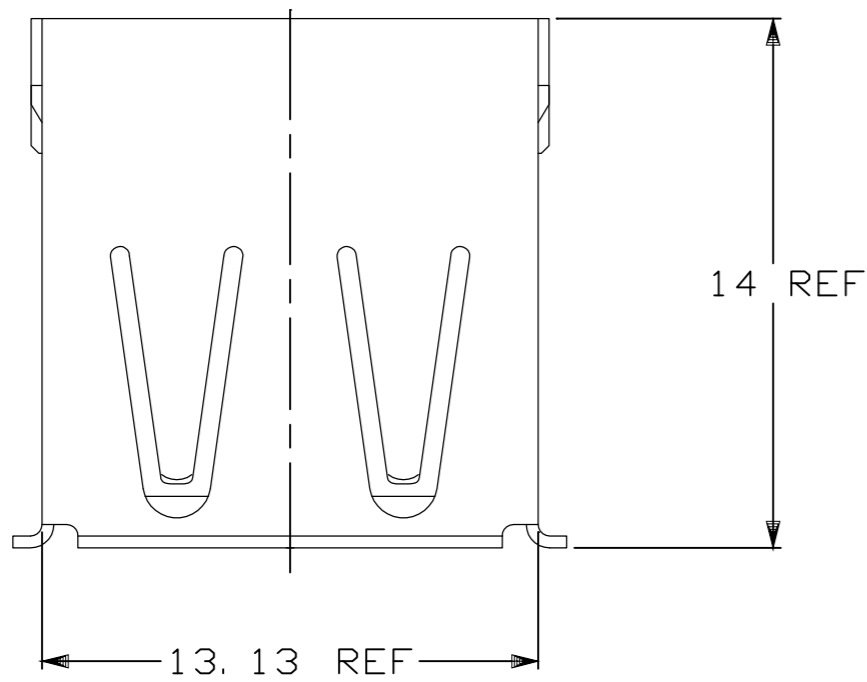


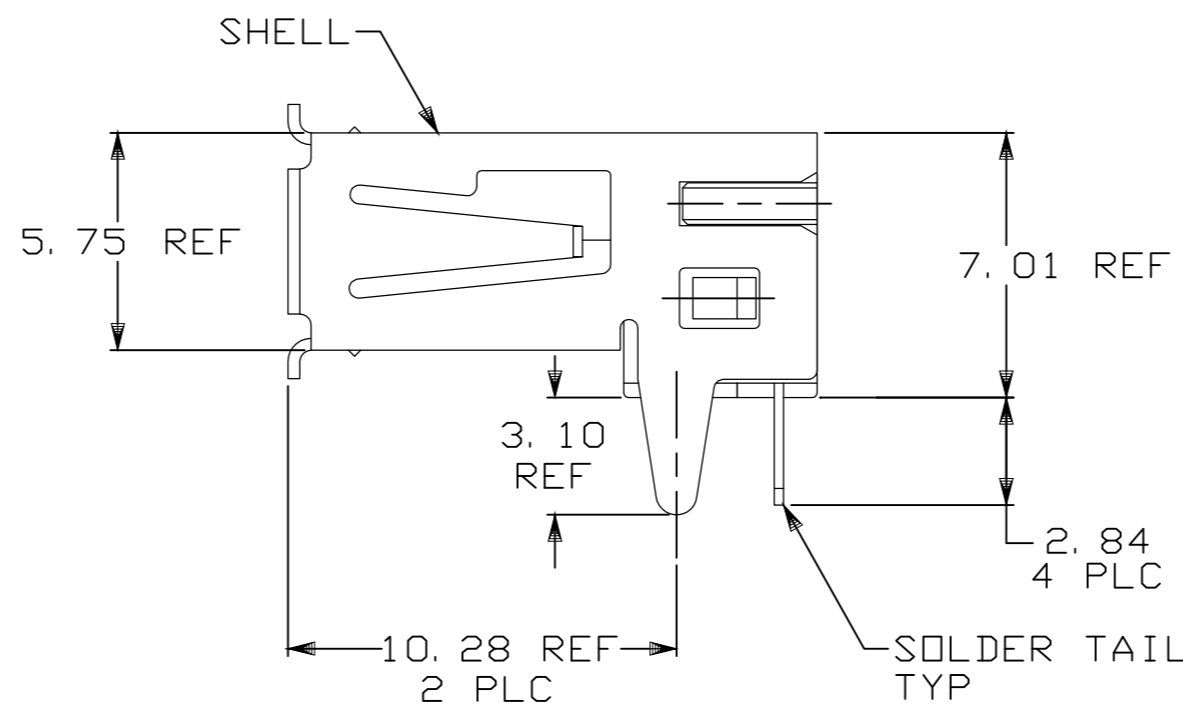
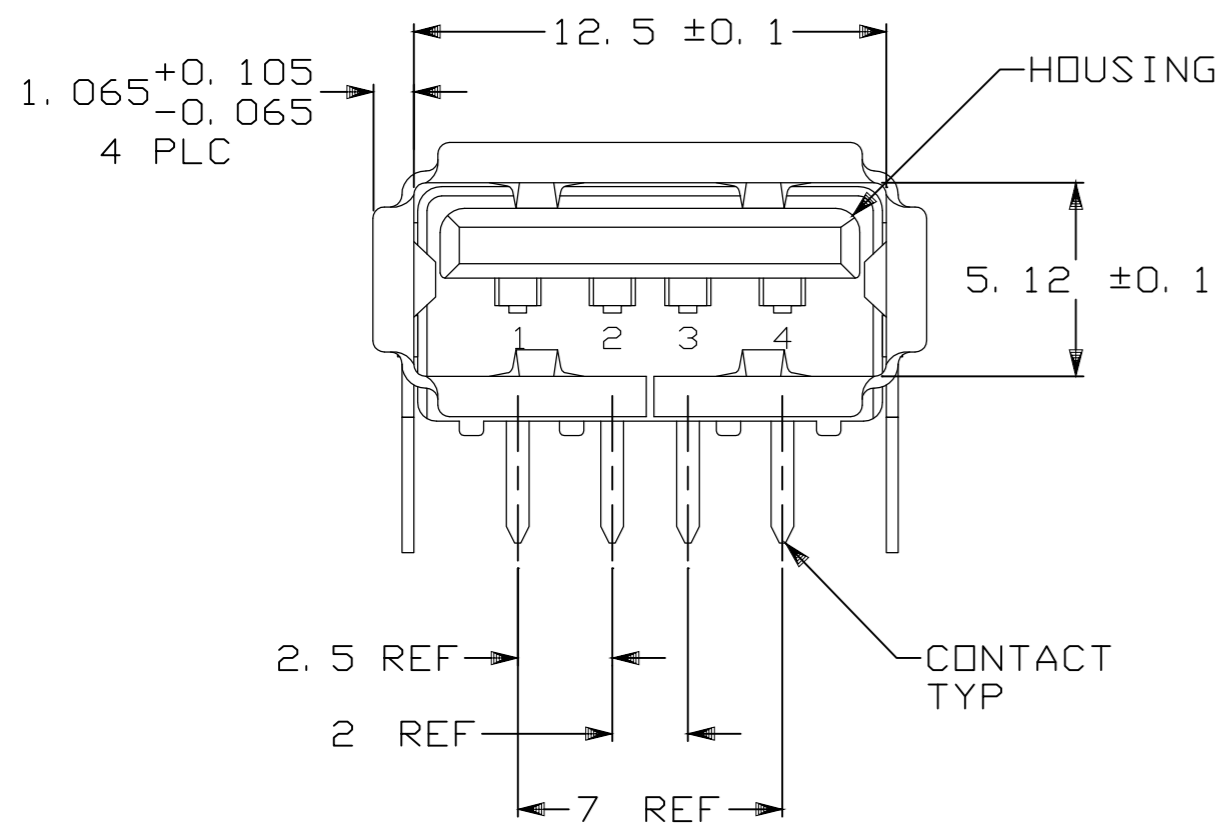
THIS DRAWING IS UNPUBLISHED. RELEASED FOR PUBLICATION
 © COPYRIGHT - By - ALL RIGHTS RESERVED.

REVISIONS				
P	LTR	DESCRIPTION	DATE	APVD
A1		REVISED PER E-17-000316	16JAN2017	A.X H.W



PC BOARD MOUNTING DIMENSIONS $\Delta 4$

- $\Delta 1$ MATERIAL:
SHELL & CONTACTS- COPPER ALLOY.
HOUSING- UL 94V-0 RATED, THERMOPLASTIC, COLOR SEE TABLE.
- $\Delta 2$ PLATING:
CONTACTS- 0.076um MINIMUM GOLD OVER 0.76um MINIMUM PALLADIUM-NICKEL ON MATING AREA.
3.8um MINIMUM MATTE TIN ON SOLDER TAILS.
BOTH OVER 1.27um MINIMUM NICKEL.
CONTACT ALTERNATE PLATING: 0.76um MIN GOLD ON MATING AREA, 3.80um MIN MATTE TIN ON SOLDER TAILS, BOTH OVER 1.27um MIN NICKEL.
SHELL: 2~5um MINIMUM BRIGHT TIN
- $\Delta 3$ DATUM AND BASIC DIMENSIONS ESTABLISHED BY CUSTOMER.
- $\Delta 4$ RECOMMENDED PC BOARD THICKNESS OF 1.57.



TAPE&REEL	YES	NATURAL	6364372-3
TUBE	YES	NATURAL	6364372-2
TUBE	NO	BLACK	6364372-1
PACKAGING	HIGH TEMPERATURE COMPATIBLE	HOUSING COLOR	PART NUMBER

THIS DRAWING IS A CONTROLLED DOCUMENT.		DWN	J.JIANG	12APR2004		TE Connectivity		
DIMENSIONS: mm		CHK	S.YAO	12APR04		RECEPTACLE ASSEMBLY, RIGHT ANGLE, 4POSITION, THRU-HOLE, USB		
TOLERANCES UNLESS OTHERWISE SPECIFIED:		APVD	J.QU	12APR04		SIZE	CAGE CODE	DRAWING NO
0 PLC ± -		PRODUCT SPEC				A2	00779	C=6364372
1 PLC ± -		APPLICATION SPEC			SCALE	SHEET	REV	
2 PLC ± 0.25					5:1	1 of 1	A1	
3 PLC ± -					CUSTOMER DRAWING			
4 PLC ± -								
ANGLES ± -								
FINISH								
$\Delta 1$								
$\Delta 2$								