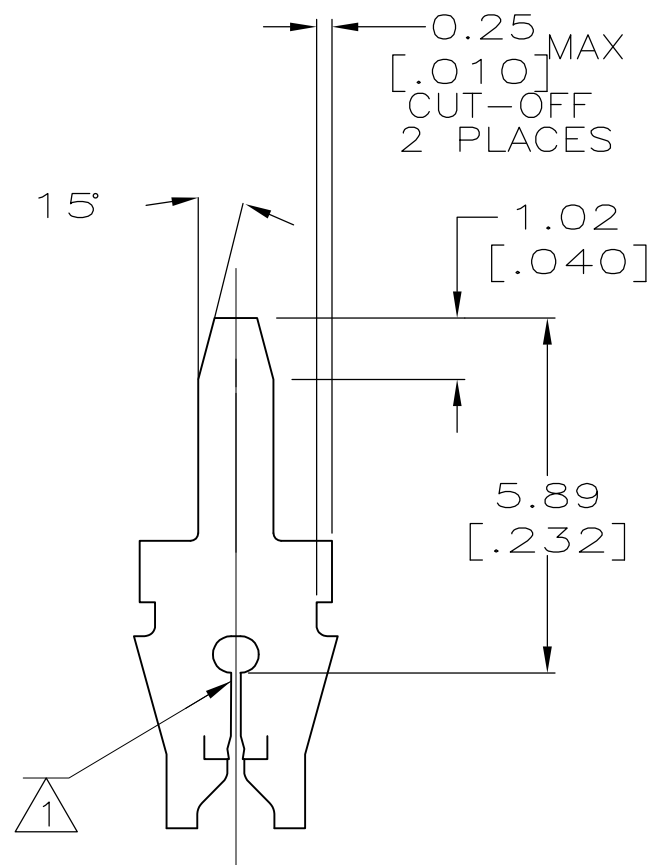
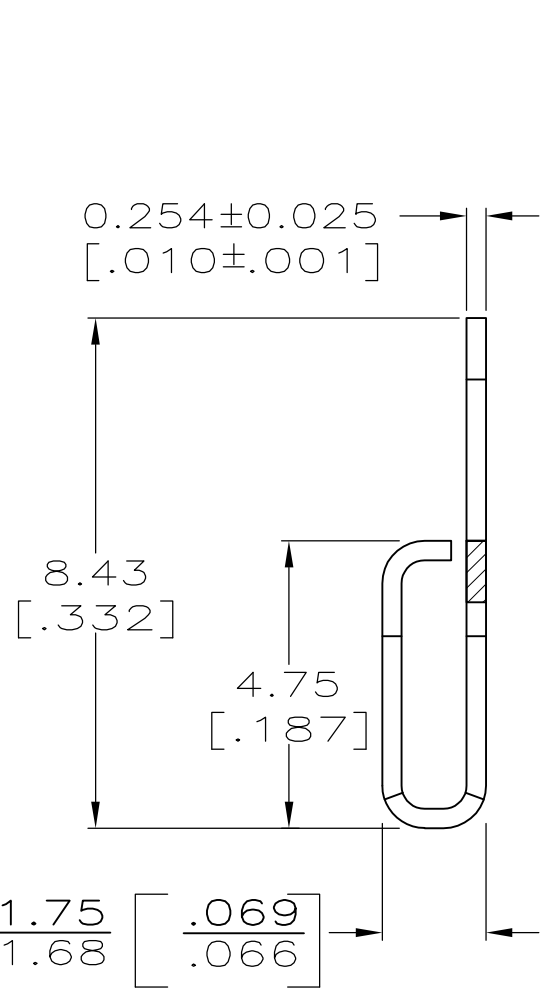
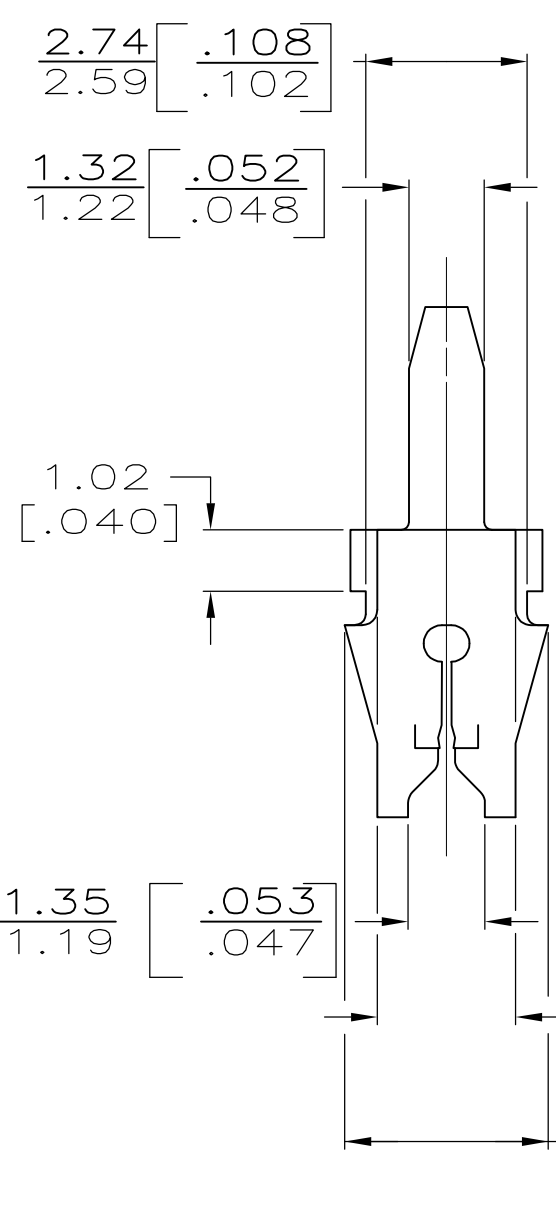
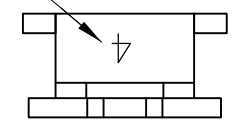


THIS DRAWING IS UNPUBLISHED. RELEASED FOR PUBLICATION
 © COPYRIGHT - By - ALL RIGHTS RESERVED.

LOC	DIST	REVISIONS					
AF	50	P	LTR	DESCRIPTION	DATE	DWN	APVD
			E	PLATING INFO UPDATED	25AUG14	PKS	RRP

IDENTIFICATION NUMBER 4 FOR MAGNET WIRE RANGE

- ① SLOT ACCEPTS 0.18-0.23mm DIA [#33-#31]AWG COPPER MAGNET WIRE
- ② TIN OVER NICKEL UNDERPLATE



62934-1

THIS DRAWING IS A CONTROLLED DOCUMENT.		DWN 12/17/93 PHILLIP M FORTNEY	TE Connectivity	
DIMENSIONS: INCHES		CHK 12/17/93 MICHAEL S FEHER		
TOLERANCES UNLESS OTHERWISE SPECIFIED:		APVD 12/17/93 NELSON E NEFF	NAME	
0 PLC ± - 1 PLC ± - 2 PLC ± 0.25 [.010] 3 PLC ± - 4 PLC ± - ANGLES ± -		PRODUCT SPEC 108-2012	TERMINAL, POSTED, LOOSE PIECE, MAG-MATE™	
MATERIAL BRASS		FINISH ②	APPLICATION SPEC 114-2069	RESTRICTED TO
		WEIGHT -	SIZE A3	CAGE CODE 00779
		CUSTOMER DRAWING	DRAWING NO C-62934	SCALE 8:1
			SHEET 1 OF 1	REV E