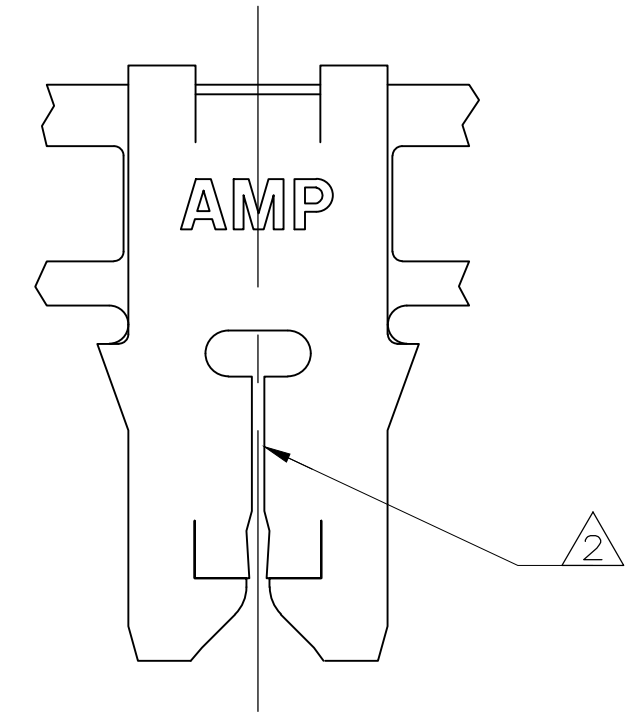
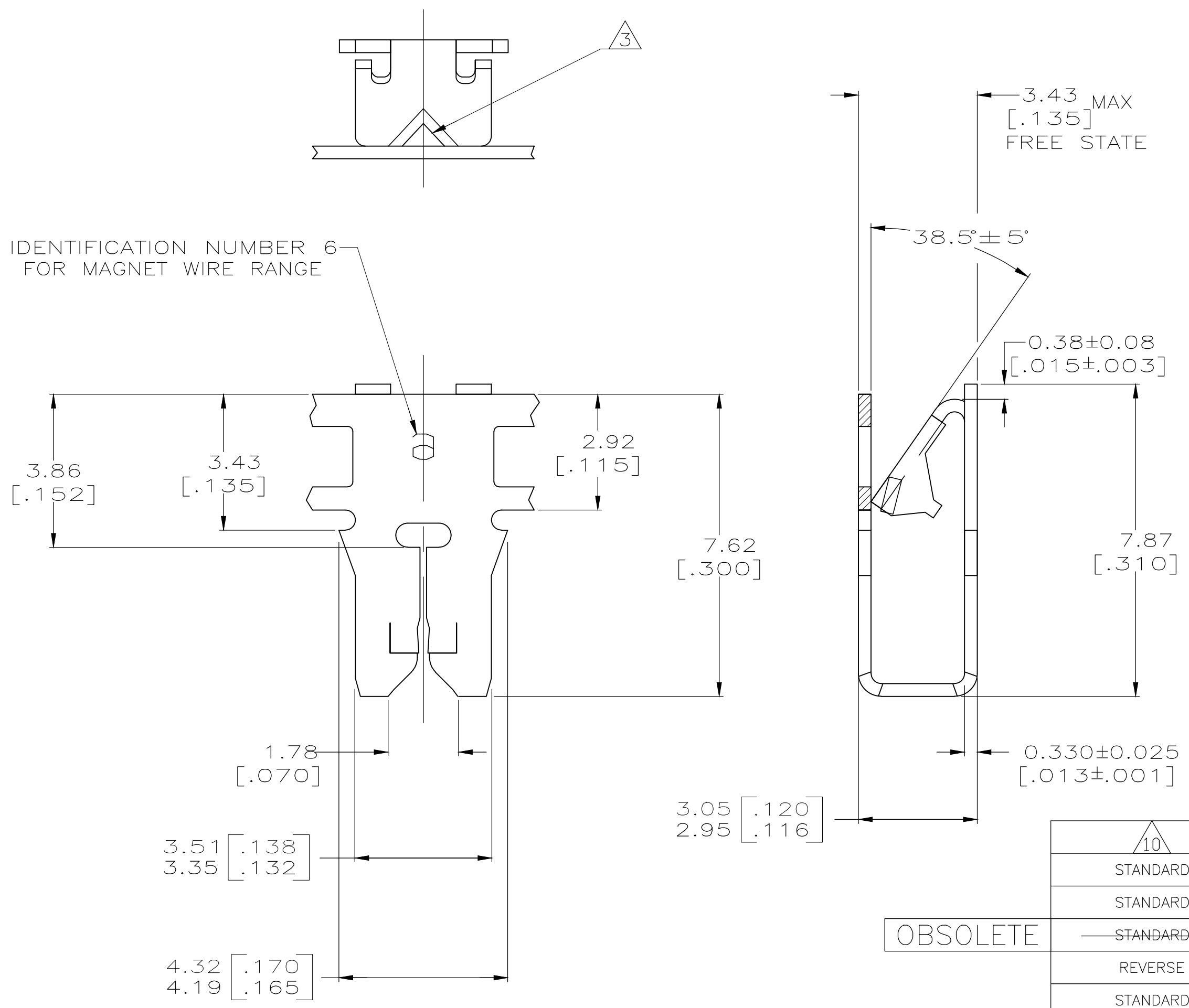


THIS DRAWING IS UNPUBLISHED. RELEASED FOR PUBLICATION
 © COPYRIGHT - TE CONNECTIVITY ALL RIGHTS RESERVED.

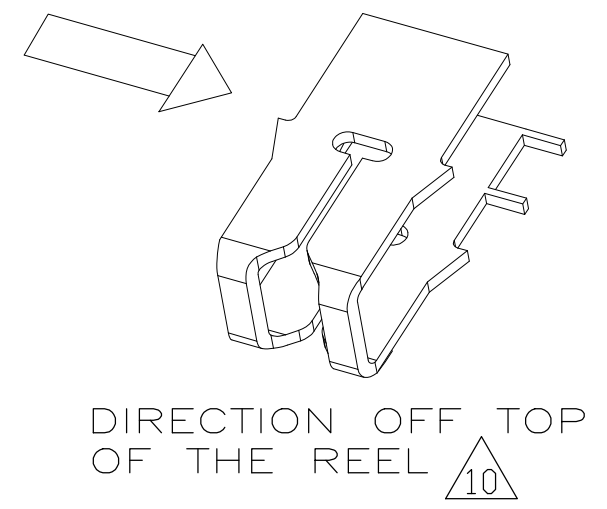
REVISIONS				
P	LTR	DESCRIPTION	DATE	APVD
AG13		REVISED PER ECR-18-007294	21MAR2019	BDA SV

- 1 CONTINUOUS STRIP ON REELS WITH TERMINALS LOCATED ON 5.59 ± 0.08 [$.220 \pm .003$] CENTERS.
- 2 SLOT TERMINATES EITHER A SINGLE OR DOUBLE MAGNET WIRE OF THE SAME SIZE AND TYPE. COPPER RANGE: 0.25-0.36mm [#30-#27] AWG. ALUMINUM RANGE: 0.32-0.45mm [#28-#25] AWG. ALUMINUM WIRE RANGE IS APPLICABLE FOR POST TIN PLATED PART NUMBERS ONLY
- 3 POKE-IN ACCEPTS A $0.5-0.9 \text{mm}^2$ [#20-#18] AWG SOLID OR FUSED STRANDED LEAD WIRE.
- 4 SPECIAL REEL QUANTITY - SPAIN PRODUCTION ONLY.
- 5 PRELIMINARY - NOT FOR PRODUCTION.
- 6 NOTE DELETED
- 7 PAPER SPLICED - RESTRICTED FOR BSH-GERMANY
- 8 RETURNABLE PLASTIC REELING FOR SUPPLY WITHIN BRAZIL ONLY
- 9 PAPER SPLICED



OBSOLETE

REELING DIRECTION	REELING	FINISH	MATERIAL	PART NUMBER
10	WITH PAPER	TIN PLATE	BRASS	91-62429-2
STANDARD	PLASTIC REEL W/ PAPER	TIN PLATE	BRASS	81-62429-0
STANDARD	WITH PAPER	TIN PLATE	BRASS	7 62429-9
STANDARD	WITH PAPER	TIN PLATE	PHOS BRONZE	5 62429-7
REVERSE	WITH PAPER	TIN PLATE	BRASS	62429-6
STANDARD	WITH PAPER 4	TIN PLATE	BRASS	62429-5 4
STANDARD	PLASTIC REEL W/PAPER	UNPLATED	BRASS	62429-4
STANDARD	WITHOUT PAPER	TIN PLATE	BRASS	62429-2
STANDARD	WITH PAPER	TIN PLATE	BRASS	62429-1



THIS DRAWING IS A CONTROLLED DOCUMENT.

DIMENSIONS: INCHES	TOLERANCES UNLESS OTHERWISE SPECIFIED:	DWN 03OCT1995 MICHAEL S. FEHER	
0 PLC ± -	1 PLC ± -	CHK 16OCT1995 RICHARD GRZYBOWSKI	
2 PLC ± 0.25 [.010]	3 PLC ± -	APVD 16OCT1995 NELSON E. NEFF	NAME
4 PLC ± -	ANGLES ± -	PRODUCT SPEC 108-2012	TERMINAL, POKE-IN, 300 SERIES MAG-MATE™
MATERIAL SEE TABLE	FINISH SEE TABLE	APPLICATION SPEC 114-2046	SIZE CAGE CODE DRAWING NO RESTRICTED TO
		WEIGHT 0	A2 00779 C-62429 -
		CUSTOMER DRAWING	SCALE 10:1 SHEET 1 OF 1 REV AG13