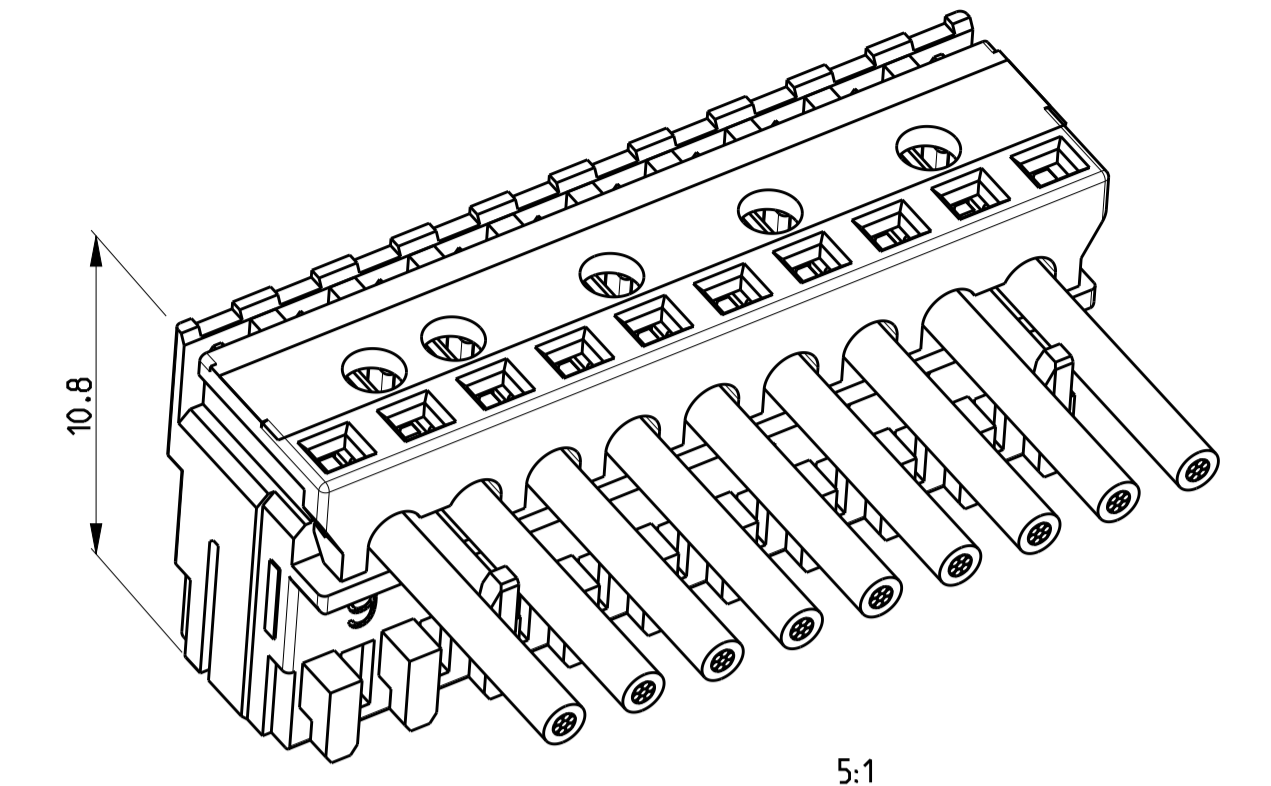
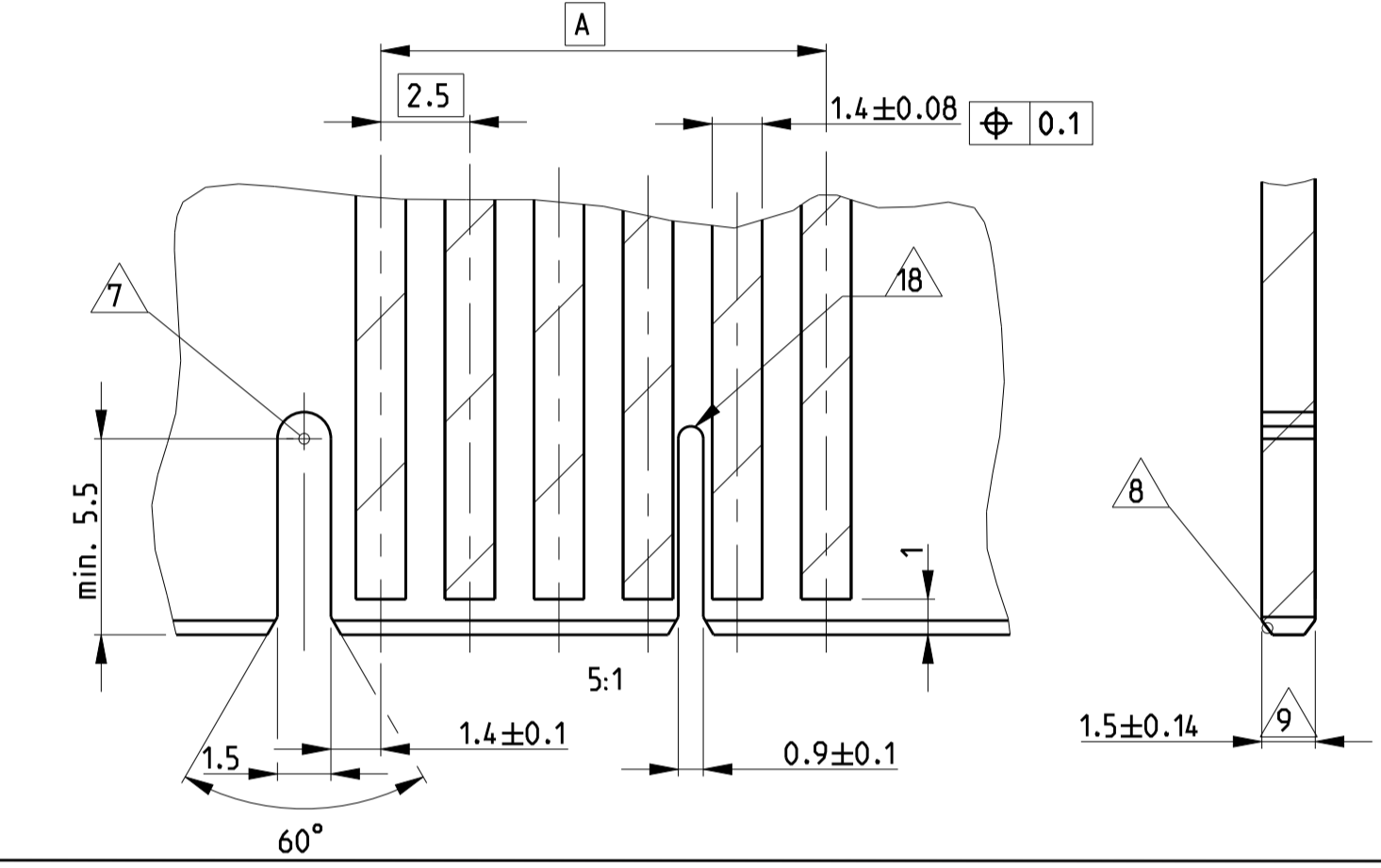


- 27 DIMENSION AVAILABLE FOR PART X-2304525-X, X-2304526-X.
- 26 WITH SPECIAL CHAIN FEATURE
- 25 SIDE KEYING ON LAST CAVITY THICKNESS=1.5mm
- 24 SIDE KEYING ON CAVITY 1 THICKNESS=1.5mm
- 19 COLOR MARKING IN THIS AREA, NOT THE COLOR OF HOUSING. COLOR SEE COLOR CODE IN TABLE.
- 18 SLOT, THICK, BETWEEN CAVITIES
- 17 KEYING, THICK, BETWEEN POSITION
- 16 SLOT, SLIM, FOR SIDE KEYING, LAST CAVITY
- 15 SLOT, SLIM, FOR SIDE KEYING, SIDE CAVITY 1
- 14 SIDE KEYING, SLIM, ON LAST CAVITY
- 13 SIDE KEYING, SLIM, ON CAVITY 1
- 12 KEYING SLIM BETWEEN POSITIONS
- 11 PRELIMINARY PART NOT RELEASED FOR PRODUCTION
- 10 TE LOGO
- 9 INCLUSIVE COPPER LOADING
- 8 PCB PREFERABLY CHAMFERED
- 7 SLOT, THICK, FOR SIDE KEYING
- 6 SIDE KEYING, THICK, ON LAST CAVITY
- 5 WIRE RANG: 0.22-0.35mm² SEE APPLICATION SPEC. 114-18467
- 4 IEC60695-2-11 / IEC60335-1 GLOW WIRE TEST 750 °C WITHOUT FLAME
- 3 X..CAVITY LOADED WITH CONTACT
O..CAVITY WITHOUT CONTACT
- 2 MATING PART: PCB (WITH FRAMES ACC. RAST 2.5 E.G. PN 964 575/576
TAB HEADER (FOR EXAMPLE: X-1971921/922-Y)
- 1 KEYING RIBS: CUTTING WITH TERMINATION MACHINE POSSIBLE

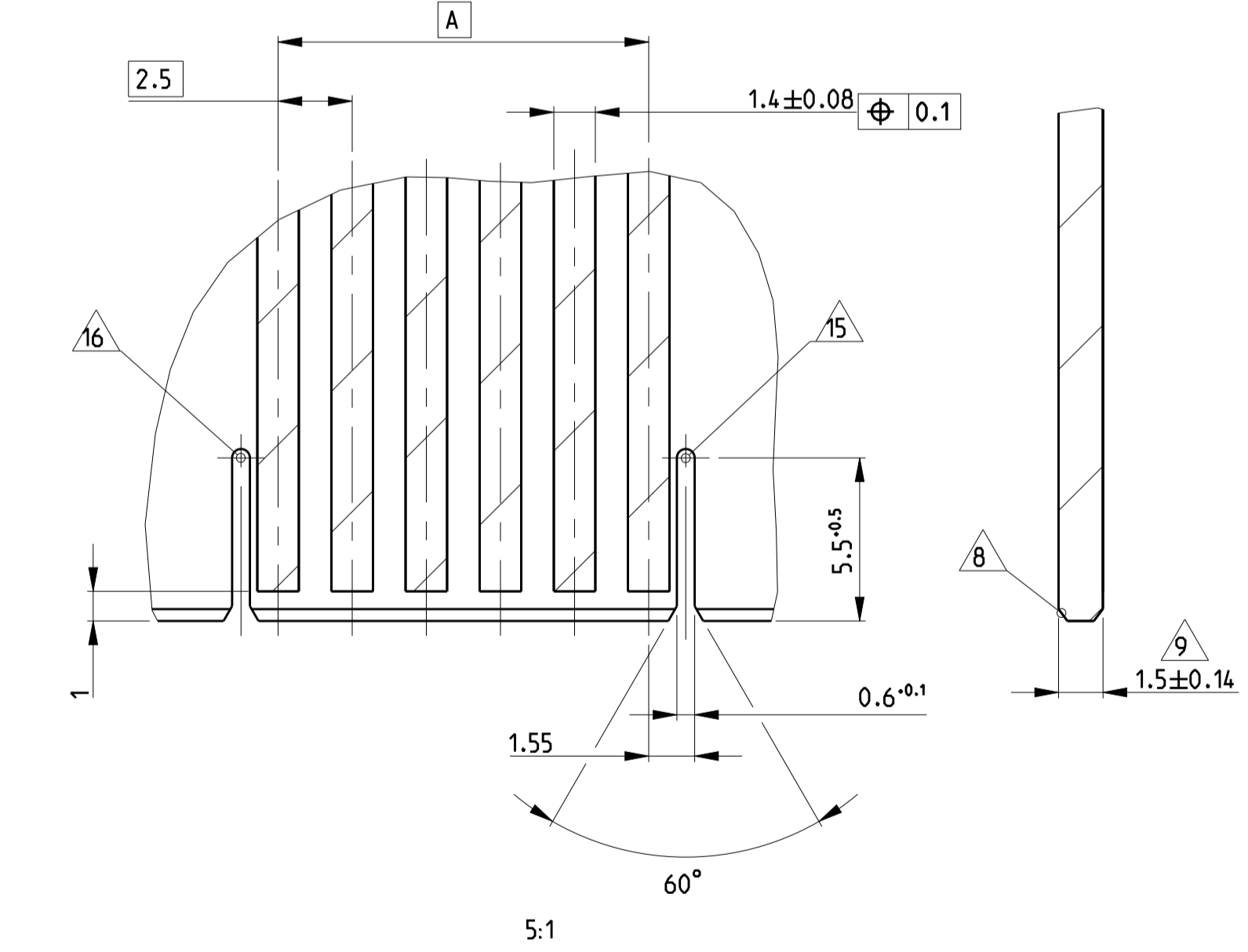
LOC	DIST	REVISIONS					
A1	-	P	LTR	DESCRIPTION	DATE	DWN	APVD
		D44	ECR-19-016124		220C12019	KD	FL
		D45	ECR-20-001606		10FEB2020	KD	FL
		D46	ECR-20-003410		10MAR2020	DC	FL
		D47	ECR-20-004006		23MAR2020	SM	FL



PCB LAYOUT KEYED / CONNECTED ONLY WITH ADDITIONAL FRAME (THICK KEYING)
Leiterplattenanschluss kodiert / nur in Verbindung mit zusätzlichem Rahmen



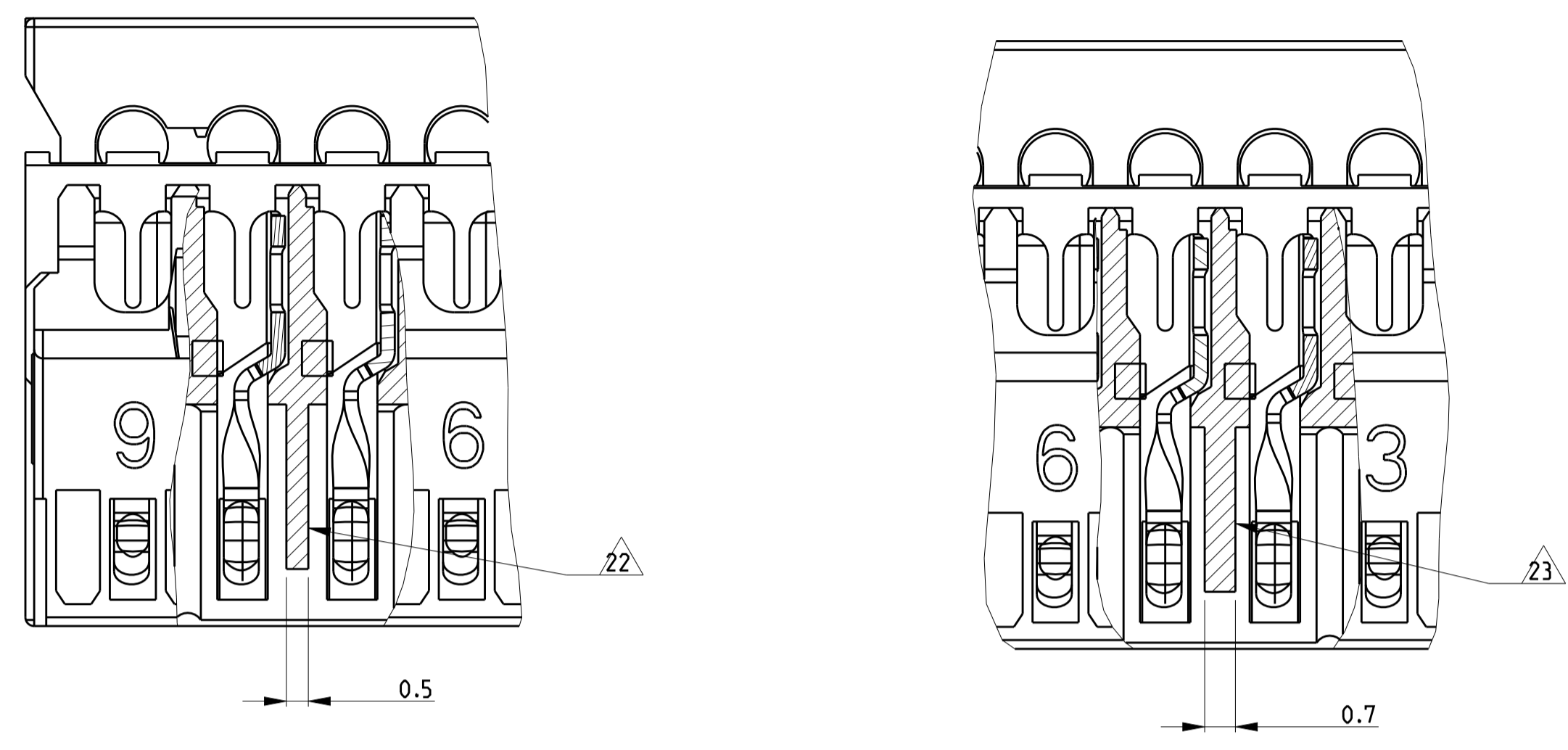
PCB LAYOUT KEYED / CONNECTED ONLY WITH ADDITIONAL FRAME (SLIM KEYING)
Leiterplattenanschluss kodiert / nur in Verbindung mit zusätzlichem Rahmen



OTHER NOTE SEE SHEET 3 OF 3.

THIS DRAWING IS A CONTROLLED DOCUMENT.		DWN: H. Karabiyik 24MAY2002		TE Connectivity	
DIMENSIONS: mm		CHK: B. Schnaubel 24MAY2002		NAME: AMP DUOPLUG 2.5 MARK II FEMALE CONNECTOR 3-20 POSITION SELECTIVE LOADED	
TOLERANCES UNLESS OTHERWISE SPECIFIED:		APVD: T. Klenner 24MAY2002	PRODUCT SPEC: 108-18785		
0 PLC ±0.2		APPLICATION SPEC: 114-18467			
1 PLC ±0.2		WEIGHT: -			
2 PLC ±0.2		SCALE: 10:1			
3 PLC ±0.2		SHEET 1 OF 3			
4 PLC ±0.2		DRAWING NO: 00779			
ANGLES ±°		CAGE CODE: 1534798			
FINISH -		RESTRICTED TO: -			
MATERIAL -		Customer Drawing			

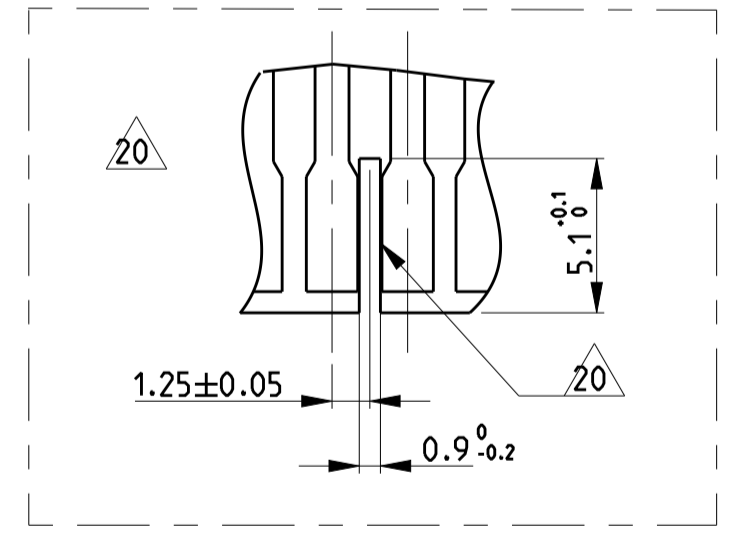
LOC	DIST	REVISIONS			
P	LTR	DESCRIPTION	DATE	DWN	APVD
-	-	SEE SHEET 1	-	-	-



KEYING 22

KEYING 23

- 23 KEYING. SPECIAL THICK. BETWEEN POSITION
- 22 KEYING. SPECIAL THIN. BETWEEN POSITION
- 21 SLOT FOR KEYING SPECIAL. BETWEEN POSITION
- 20 RECOMMENDED PCB CUTOFF DIMENSION FOR THE PN X-2304527-Y AND X-2304528-Y



GWEPT 750°C NO FLAME & UL94-VO, SILVER PLATED VERSION																				
Blue																				X 0 X
																				X 0 X
Color Code	20	19	18	17	16	15	14	13	12	11	10	9	8	7	6	5	4	3	2	1
	KAMMERBESTUECKUNG (CAVITIES LOADED) 3																			
POS.	Polzahl	DIM A	DIM B	22	23	24	25	26	27	28	29	30	31	32	33	34	35	36	37	38
				KEYING	KEYING	KEYING	KEYING	KEYING	KEYING	KEYING	KEYING	KEYING	KEYING	KEYING	KEYING	KEYING	KEYING	KEYING	KEYING	KEYING
																				PN 26 Bestell-Nr.

2	SEE TABLE	CONTACT/Kontakt	CuSn	SILVERED
1	siehe Tabelle	HOUSING/Federleistengeh.	HIGH TEMP PLASTIC 4	NATUR/Natur
POS.	PN Bestell-Nr.	DESCRIPTION Beschreibung	MATERIAL	COLOUR/FINISH Farbe/Oberflaeche

GWEPT 750°C NO FLAME & UL94-VO, TIN PLATED VERSION																				
Blue																				X 0 X 0 X 0 X 0 X 0 X 0 X 0 X 0 X
																				X 0 X 0 X 0 X 0 X 0 X 0 X 0 X 0 X
Color Code	20	19	18	17	16	15	14	13	12	11	10	9	8	7	6	5	4	3	2	1
	KAMMERBESTUECKUNG (CAVITIES LOADED) 3																			
POS.	Polzahl	DIM A	DIM B	22	23	24	25	26	27	28	29	30	31	32	33	34	35	36	37	38
				KEYING	KEYING	KEYING	KEYING	KEYING	KEYING	KEYING	KEYING	KEYING	KEYING	KEYING	KEYING	KEYING	KEYING	KEYING	KEYING	KEYING
																				PN 26 Bestell-Nr.

2	SEE TABLE	CONTACT/Kontakt	CuSn	TINNED/verzinkt
1	siehe Tabelle	HOUSING/Federleistengeh.	HIGH TEMP PLASTIC 4	NATUR/Natur
POS.	PN Bestell-Nr.	DESCRIPTION Beschreibung	MATERIAL	COLOUR/FINISH Farbe/Oberflaeche

THIS DRAWING IS A CONTROLLED DOCUMENT.

DIMENSIONS: mm

TOLERANCES UNLESS OTHERWISE SPECIFIED:

0 PLC	±0.2
1 PLC	±0.2
2 PLC	±0.2
3 PLC	±0.2
4 PLC	±0.2
ANGLES	±0.1
FINISH	±0.1

MATERIAL: -

Customer Drawing

APPROVED: H. Karabiyik, B. Schnaubel, T. Klenner

DATE: 24MAY2002

PRODUCT SPEC: 108-18785

APPLICATION SPEC: 116-18467

WEIGHT: -

Customer Drawing

SCALE: 10:1

SHEET: 3 OF 3

RESTRICTED TO: -

4805 (3/11)