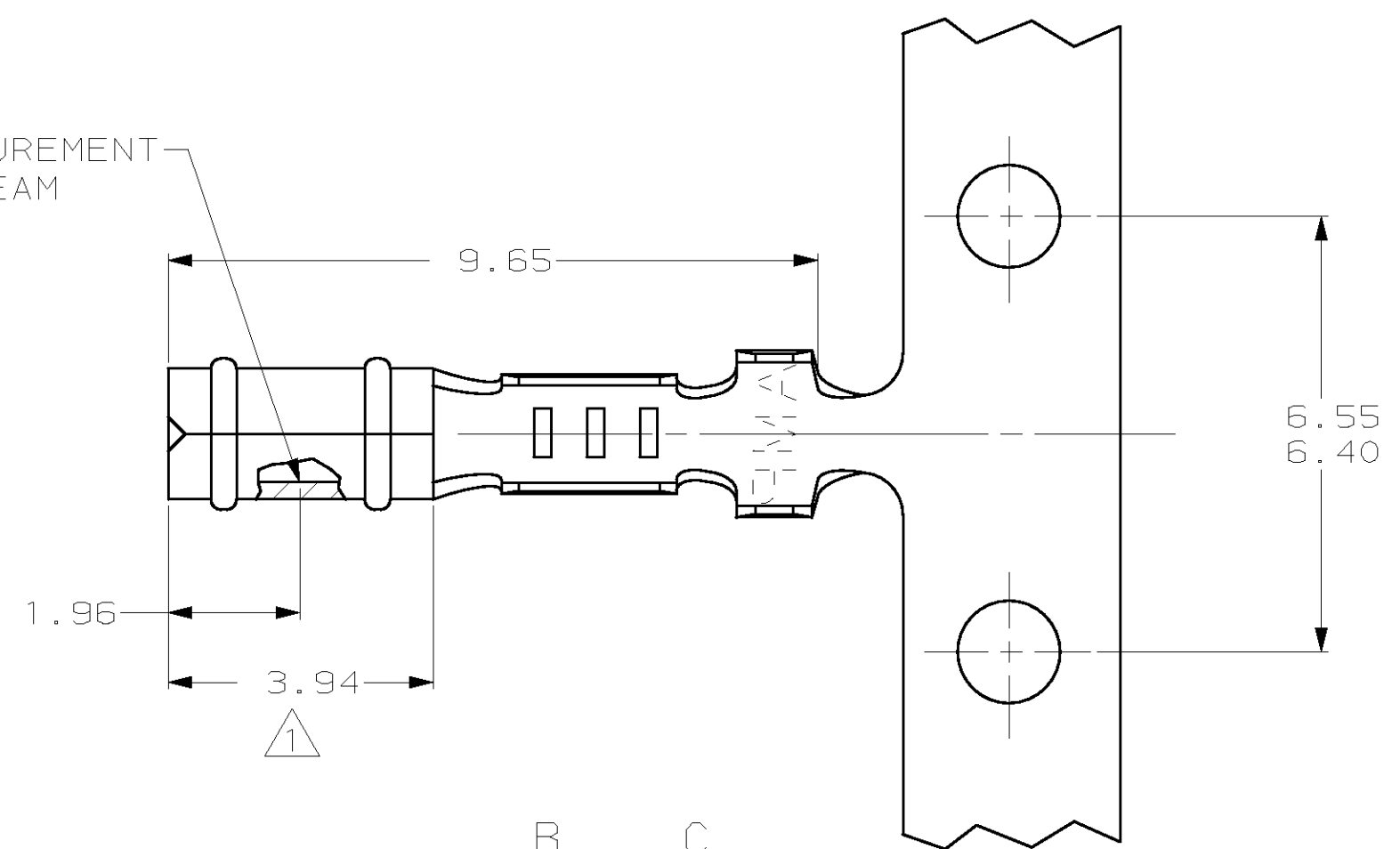


THIS DRAWING IS UNPUBLISHED. RELEASED FOR PUBLICATION  
 (C) COPYRIGHT 19 BY AMP INCORPORATED. ALL RIGHTS RESERVED.

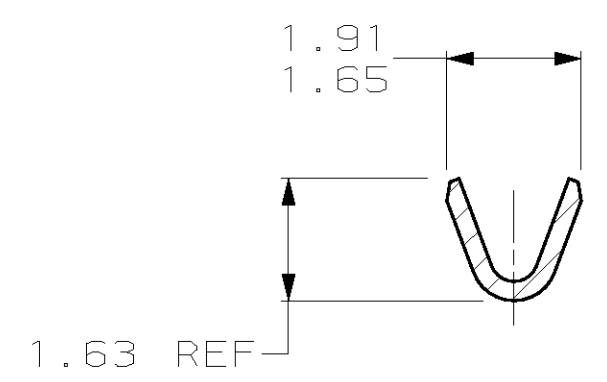
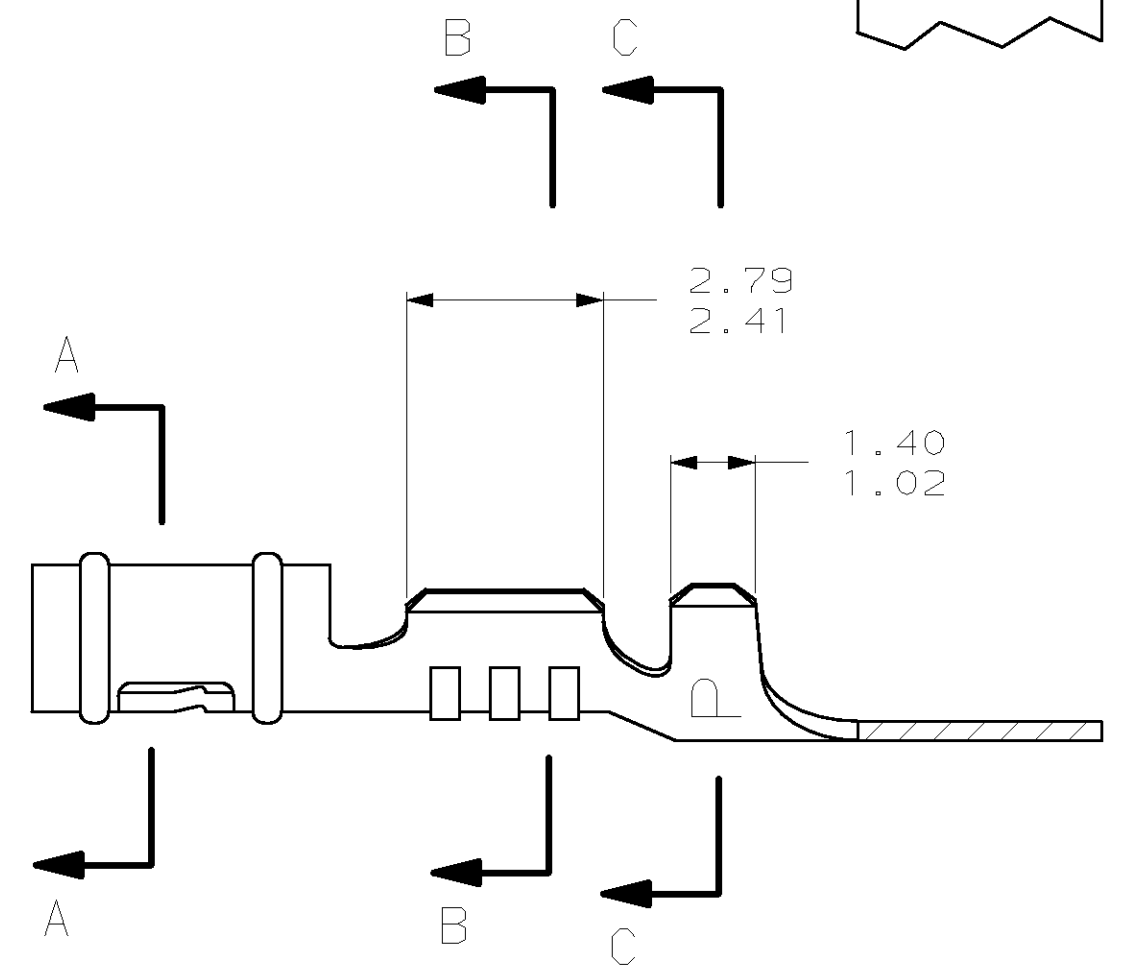
LOC		DIST		REVISIONS			
P	LTR	DESCRIPTION	DATE	DWN	APVD		
CM	52	Y	REV & REDWN PER EC 0L30-0146-97	5-15-97	TB	RS	

- 1. 0.00076 MIN SELECTIVE GOLD PLATING ON INSIDE OF RECEPTACLE OVER NICKEL OVER ALL UNDERPLATE.
- 2. WIRE RANGE: 0.12 - 0.4 MM<sup>2</sup> (26 - 22 AWG)
- 3. INSULATION RANGE: 0.89 - 1.65
- 4. PARTS ARE REVERSED REELED. FOR USE WITH MINI APPLICATORS SEE PART NUMBER 60888.

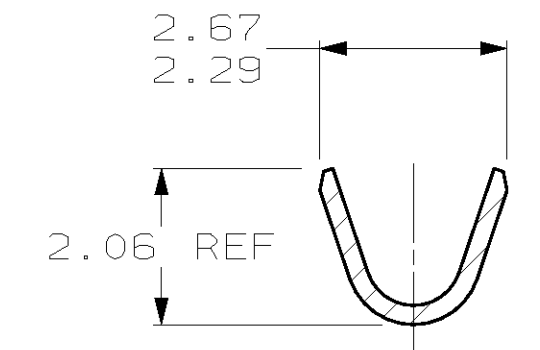
POINT OF MEASUREMENT  
 90° FROM SEAM



SECTION A-A



SECTION B-B



SECTION C-C

△	0.25 BE COPPER	60804-4
MATTE TIN	0.25 BE COPPER	60804-3
PRE-TIN	0.25 PH BRZ	60804-2
△	0.25 PH BRZ	60804-1
FINISH	MATERIAL	PART NUMBER

1.359	.0535	1.91	.075	2.79	.110	-	-
1.02	.040	1.65	.065	2.67	.105	-	-
0.89	.035	1.63	.064	2.41	.095	9.65	.380
0.25	.010	1.486	.0585	2.29	.090	6.55	.258
0.13	.005	1.47	.058	2.06	.081	6.40	.252
0.00076	.000030	1.40	.055	1.96	.077	3.94	.155
MM	IN	MM	IN	MM	IN	MM	IN

CONVERSION TABLE

**METRIC**

THIS DRAWING IS A CONTROLLED DOCUMENT.

DWN	T. BECK	5-15-97
CHK	R. SWING	5-15-97
APVD	A. BEDDICK	8-08-97

AMP Incorporated  
 Harrisburg, PA 17105-3608

NAME: RECEPTACLE, .058 DIAMETER, 26-22 AWG, .035-.065 INSULATION, P.C. CONTACT

SIZE: A2 CAGE CODE: 00779 DRAWING NO: 60804

RESTRICTED TO: -

MATERIAL: SEE TABLE FINISH: SEE TABLE

PRODUCT SPEC: 108-1025 APPLICATION SPEC: 114-1008 WEIGHT: -

CUSTOMER DRAWING SCALE: 10:1 SHEET: 1 OF 1 REV: Y