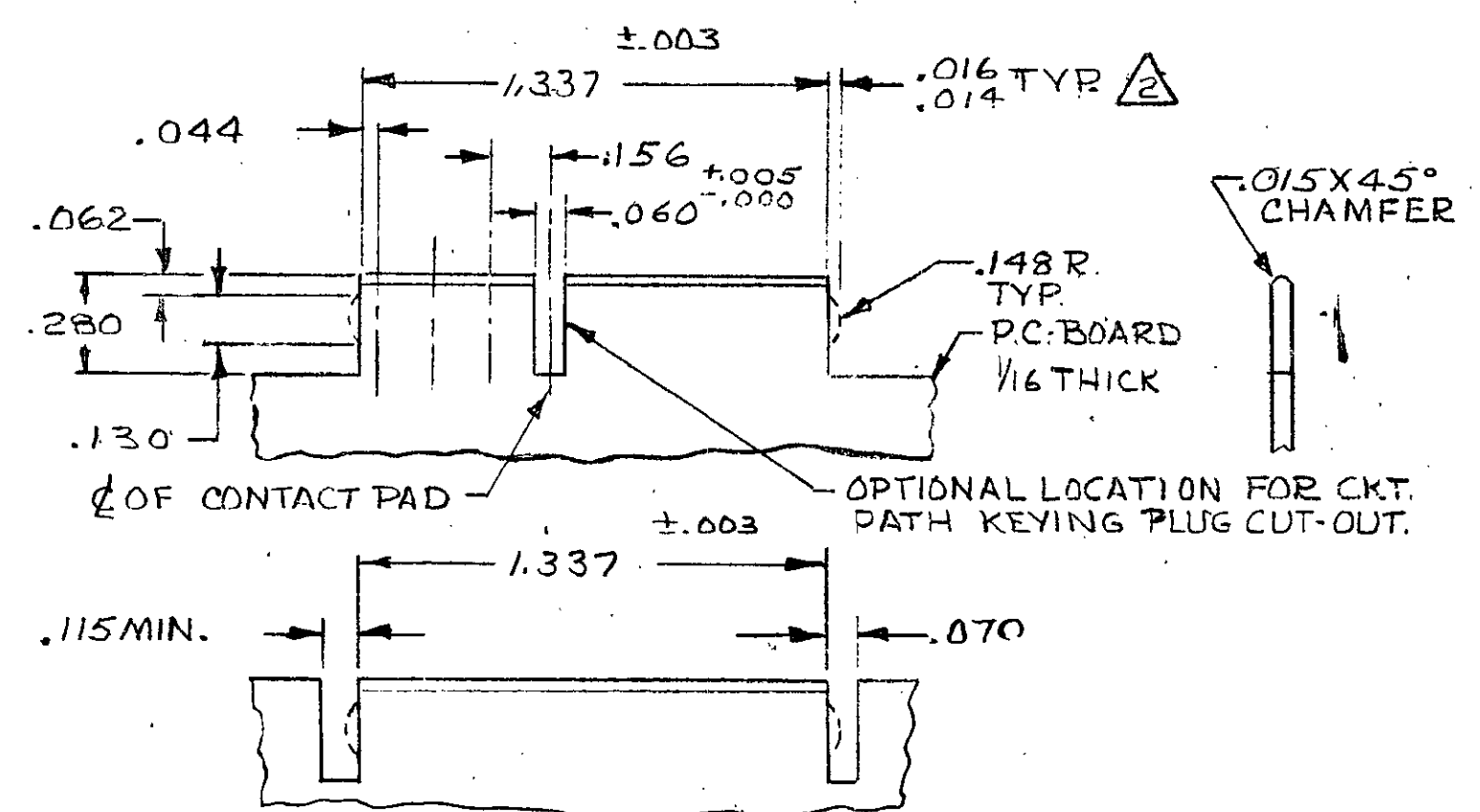
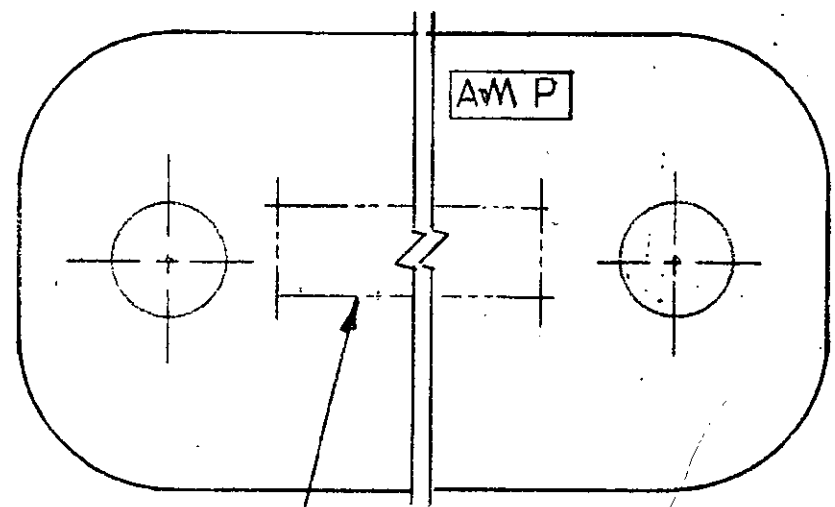
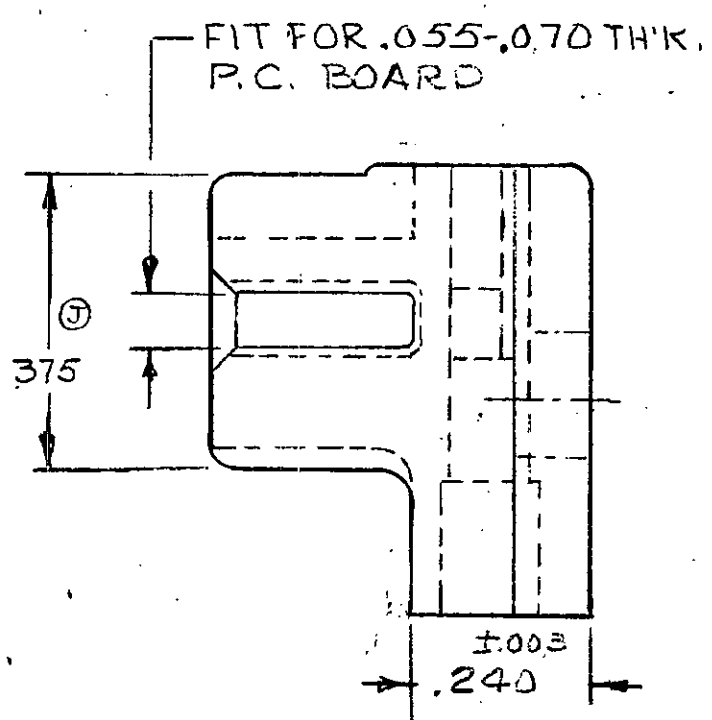
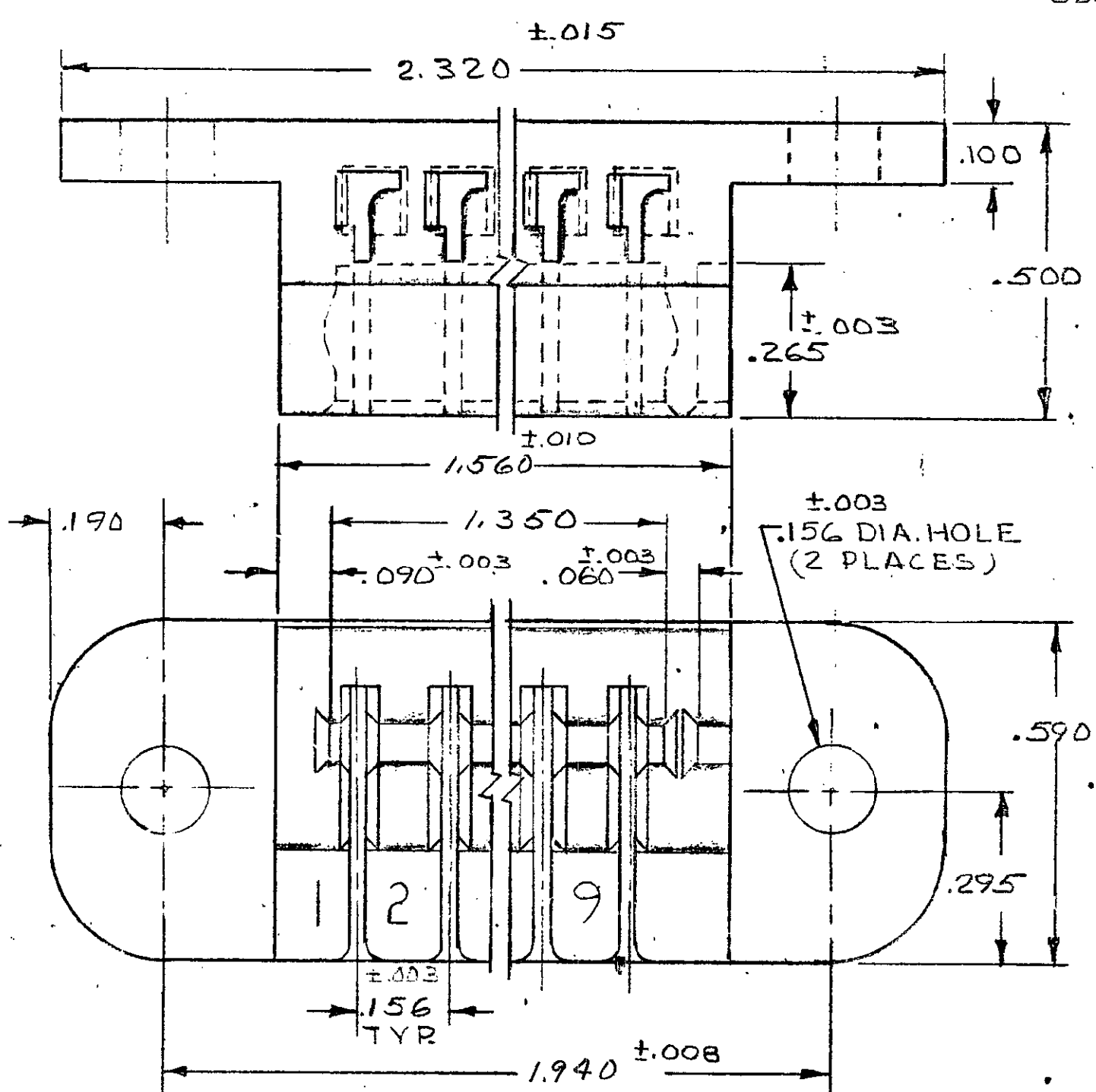


REVISIONS				
ZONE	LTR	DESCRIPTION	DATE	APPROVED
	H1	REDRAWN WITHOUT CHANGE	3388 DR 2-8-72	D.H.
	J	REVISED	3535 M.S. 6-8-72	D.H.
	J1	OBS -1 PER AD1253	6-27-86	CP/CS
	K	REV PER AD 1746	9-24-87	CSW/MS
	L	REV / AD 1840, OBS -10	TH 9-88	HWR.
	M	REV PER 0010-1143-95	11-95	P.B.
	N	REV PER EC 063C-233-01	03OCT01	MM

OBSOLETE

PART N ^o .	COLOR.
582383-1	BROWN
582383-2	RED
582383-3	ORANGE
582383-4	YELLOW
582383-5	GREEN
582383-6	BLUE
582383-7	VIOLET
582383-8	GRAY
582383-9	NATURAL
1-582383-0	BLACK



- REFER TO 60215 & 583284 FOR TERMINAL.
- THE RETAINING DIMPLES ARE OPTIONAL IN BOTH CUT-OUTS.
- CARD SLOT AND MOUNTING HOLE DIMENSIONS TO BE CHECKED WITH HOUSING RESTRAINED. (AS MOUNTED)

UNLESS OTHERWISE SPECIFIED, DIMENSIONS ARE IN INCHES TOLERANCES ON : DECIMALS ±.005 ANGLES ±	CONTRACT NO.		AMP INCORPORATED HARRISBURG, PENNSYLVANIA	
	DR <i>Rumple</i> 2-8-72	NAME HOUSING, DUD-TYNE FLAG, WITH MOUNTING HOLES, 9 POSITION.		
MATERIAL NYLON	CHK <i>D.S. Weide</i> 2-21-72	APPD <i>D.H. Bushey</i> 2-22-72	SIZE C	CODE IDENT NO. 00779
	REL <i>R. Shuman</i> 4/2/72	NUMBER 582383	SCALE 4-1	SHEET 1 OF 1

NUMBER 582383