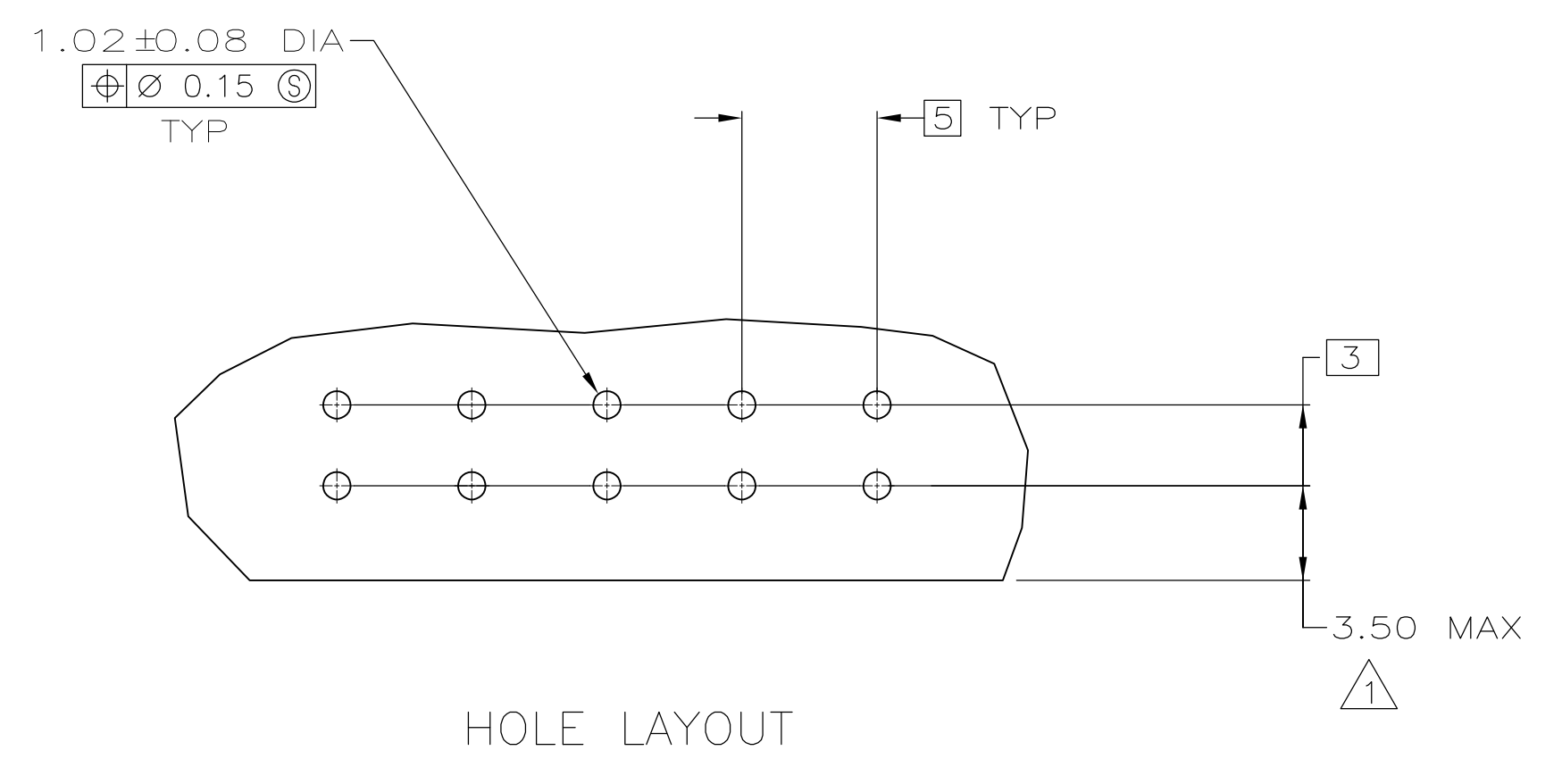
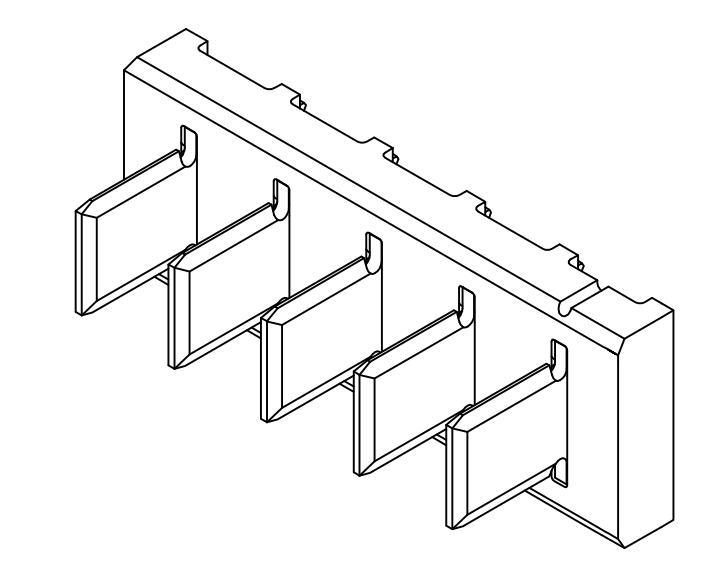
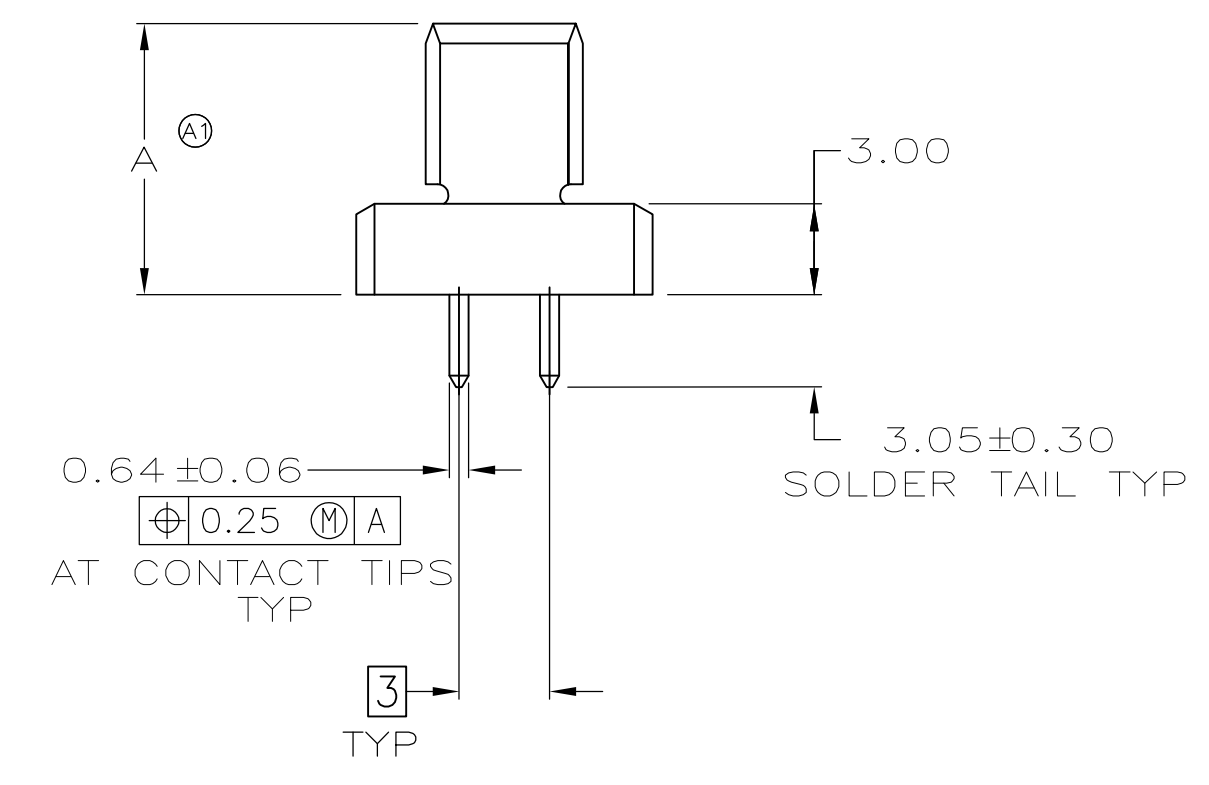
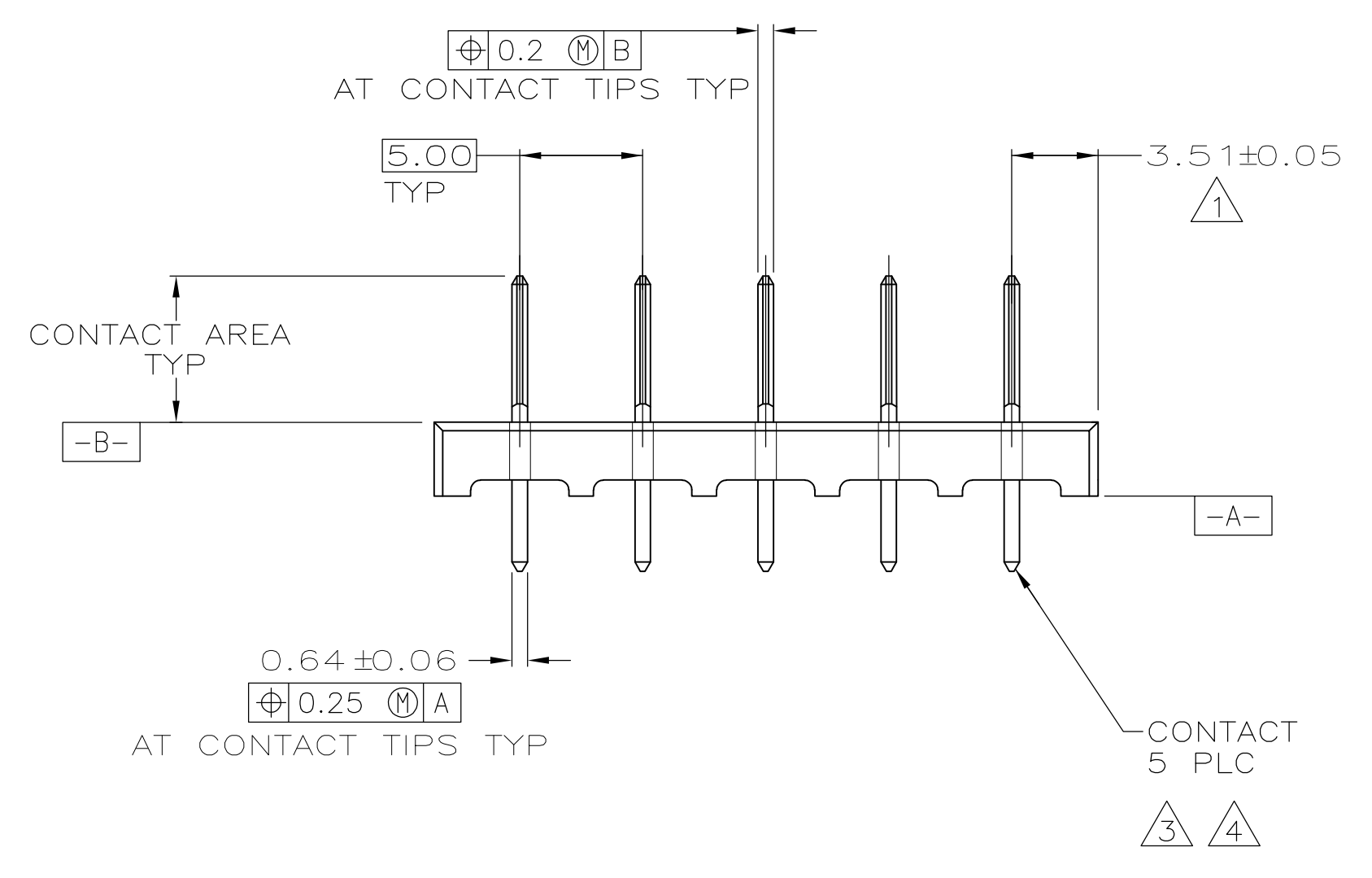


- △ COORDINATE DIMENSION APPLIES FROM CENTER OF ACTUAL FEATURE.
- △ HOUSING: POLYPHTHALAMIDE, COLOR BLACK.
- △ 2.54 μm MIN TIN ON SOLDER TAIL OVER 1.90 μm MIN NICKEL ALL OVER.
- △ CONTACTS: BRASS



HOLE LAYOUT

THIS DRAWING IS A CONTROLLED DOCUMENT.		DIN 19APROS		WENKE HE	
DIMENSIONS: mm		TOLERANCES UNLESS OTHERWISE SPECIFIED:		STEVEN YAO	
0 PLC ± -		1 PLC ± -		2 PLC ± -	
1 PLC ± -		2 PLC ± 0.13		3 PLC ± -	
2 PLC ± -		3 PLC ± -		4 PLC ± -	
3 PLC ± -		4 PLC ± -		ANGLES ± -	
MATERIAL SEE CALLOUTS		FINISH SEE CALLOUTS		WEIGHT -	
CUSTOMER DRAWING		SCALE 4:1		SHEET 1 OF 1	
REV A2		DATE 29MAR11		DWN RK	
APVD HMR		DESCRIPTION		DATE	
A2		REVISED PER ECO-11-005033		29MAR11	
DIM A		PACKAGING TYPE		PART NO	
9.95		STANDARD		5787444-2	
8.95		STANDARD		5787444-1	
DIN		WENKE HE		19APROS	
CHK		STEVEN YAO		19APROS	
APVD		KENOMOTO		19APROS	
PRODUCT SPEC		NAME		TE Connectivity	
APPLICATION SPEC		SIZE		CAGE CODE	
A1		00779		5787444	
CUSTOMER DRAWING		SCALE 4:1		SHEET 1 OF 1	
REV A2		DATE 29MAR11		DWN RK	
APVD HMR		DESCRIPTION		DATE	
A2		REVISED PER ECO-11-005033		29MAR11	
DIM A		PACKAGING TYPE		PART NO	
9.95		STANDARD		5787444-2	
8.95		STANDARD		5787444-1	
DIN		WENKE HE		19APROS	
CHK		STEVEN YAO		19APROS	
APVD		KENOMOTO		19APROS	
PRODUCT SPEC		NAME		TE Connectivity	
APPLICATION SPEC		SIZE		CAGE CODE	
A1		00779		5787444	
CUSTOMER DRAWING		SCALE 4:1		SHEET 1 OF 1	
REV A2		DATE 29MAR11		DWN RK	
APVD HMR		DESCRIPTION		DATE	
A2		REVISED PER ECO-11-005033		29MAR11	
DIM A		PACKAGING TYPE		PART NO	
9.95		STANDARD		5787444-2	
8.95		STANDARD		5787444-1	
DIN		WENKE HE		19APROS	
CHK		STEVEN YAO		19APROS	
APVD		KENOMOTO		19APROS	
PRODUCT SPEC		NAME		TE Connectivity	
APPLICATION SPEC		SIZE		CAGE CODE	
A1		00779		5787444	
CUSTOMER DRAWING		SCALE 4:1		SHEET 1 OF 1	
REV A2		DATE 29MAR11		DWN RK	
APVD HMR		DESCRIPTION		DATE	
A2		REVISED PER ECO-11-005033		29MAR11	
DIM A		PACKAGING TYPE		PART NO	
9.95		STANDARD		5787444-2	
8.95		STANDARD		5787444-1	
DIN		WENKE HE		19APROS	
CHK		STEVEN YAO		19APROS	
APVD		KENOMOTO		19APROS	
PRODUCT SPEC		NAME		TE Connectivity	
APPLICATION SPEC		SIZE		CAGE CODE	
A1		00779		5787444	
CUSTOMER DRAWING		SCALE 4:1		SHEET 1 OF 1	
REV A2		DATE 29MAR11		DWN RK	
APVD HMR		DESCRIPTION		DATE	
A2		REVISED PER ECO-11-005033		29MAR11	
DIM A		PACKAGING TYPE		PART NO	
9.95		STANDARD		5787444-2	
8.95		STANDARD		5787444-1	
DIN		WENKE HE		19APROS	
CHK		STEVEN YAO		19APROS	
APVD		KENOMOTO		19APROS	
PRODUCT SPEC		NAME		TE Connectivity	
APPLICATION SPEC		SIZE		CAGE CODE	
A1		00779		5787444	
CUSTOMER DRAWING		SCALE 4:1		SHEET 1 OF 1	
REV A2		DATE 29MAR11		DWN RK	
APVD HMR		DESCRIPTION		DATE	
A2		REVISED PER ECO-11-005033		29MAR11	
DIM A		PACKAGING TYPE		PART NO	
9.95		STANDARD		5787444-2	
8.95		STANDARD		5787444-1	
DIN		WENKE HE		19APROS	
CHK		STEVEN YAO		19APROS	
APVD		KENOMOTO		19APROS	
PRODUCT SPEC		NAME		TE Connectivity	
APPLICATION SPEC		SIZE		CAGE CODE	
A1		00779		5787444	
CUSTOMER DRAWING		SCALE 4:1		SHEET 1 OF 1	
REV A2		DATE 29MAR11		DWN RK	
APVD HMR		DESCRIPTION		DATE	
A2		REVISED PER ECO-11-005033		29MAR11	
DIM A		PACKAGING TYPE		PART NO	
9.95		STANDARD		5787444-2	
8.95		STANDARD		5787444-1	
DIN		WENKE HE		19APROS	
CHK		STEVEN YAO		19APROS	
APVD		KENOMOTO		19APROS	
PRODUCT SPEC		NAME		TE Connectivity	
APPLICATION SPEC		SIZE		CAGE CODE	
A1		00779		5787444	
CUSTOMER DRAWING		SCALE 4:1		SHEET 1 OF 1	
REV A2		DATE 29MAR11		DWN RK	
APVD HMR		DESCRIPTION		DATE	
A2		REVISED PER ECO-11-005033		29MAR11	
DIM A		PACKAGING TYPE		PART NO	
9.95		STANDARD		5787444-2	
8.95		STANDARD		5787444-1	
DIN		WENKE HE		19APROS	
CHK		STEVEN YAO		19APROS	
APVD		KENOMOTO		19APROS	
PRODUCT SPEC		NAME		TE Connectivity	
APPLICATION SPEC		SIZE		CAGE CODE	
A1		00779		5787444	
CUSTOMER DRAWING		SCALE 4:1		SHEET 1 OF 1	
REV A2		DATE 29MAR11		DWN RK	
APVD HMR		DESCRIPTION		DATE	
A2		REVISED PER ECO-11-005033		29MAR11	
DIM A		PACKAGING TYPE		PART NO	
9.95		STANDARD		5787444-2	
8.95		STANDARD		5787444-1	
DIN		WENKE HE		19APROS	
CHK		STEVEN YAO		19APROS	
APVD		KENOMOTO		19APROS	
PRODUCT SPEC		NAME		TE Connectivity	
APPLICATION SPEC		SIZE		CAGE CODE	
A1		00779		5787444	
CUSTOMER DRAWING		SCALE 4:1		SHEET 1 OF 1	
REV A2		DATE 29MAR11		DWN RK	
APVD HMR		DESCRIPTION		DATE	
A2		REVISED PER ECO-11-005033		29MAR11	
DIM A		PACKAGING TYPE		PART NO	
9.95		STANDARD		5787444-2	
8.95		STANDARD		5787444-1	
DIN		WENKE HE		19APROS	
CHK		STEVEN YAO		19APROS	
APVD		KENOMOTO		19APROS	
PRODUCT SPEC		NAME		TE Connectivity	
APPLICATION SPEC		SIZE		CAGE CODE	
A1		00779		5787444	
CUSTOMER DRAWING		SCALE 4:1		SHEET 1 OF 1	
REV A2		DATE 29MAR11		DWN RK	
APVD HMR		DESCRIPTION		DATE	
A2		REVISED PER ECO-11-005033		29MAR11	
DIM A		PACKAGING TYPE		PART NO	
9.95		STANDARD		5787444-2	
8.95		STANDARD		5787444-1	
DIN		WENKE HE		19APROS	
CHK		STEVEN YAO		19APROS	
APVD		KENOMOTO		19APROS	
PRODUCT SPEC		NAME		TE Connectivity	
APPLICATION SPEC		SIZE		CAGE CODE	
A1		00779		5787444	
CUSTOMER DRAWING		SCALE 4:1		SHEET 1 OF 1	
REV A2		DATE 29MAR11		DWN RK	
APVD HMR		DESCRIPTION		DATE	
A2		REVISED PER ECO-11-005033		29MAR11	
DIM A		PACKAGING TYPE		PART NO	
9.95		STANDARD		5787444-2	
8.95		STANDARD		5787444-1	
DIN		WENKE HE		19APROS	
CHK		STEVEN YAO		19APROS	
APVD		KENOMOTO		19APROS	
PRODUCT SPEC		NAME		TE Connectivity	
APPLICATION SPEC		SIZE		CAGE CODE	
A1		00779		5787444	
CUSTOMER DRAWING		SCALE 4:1		SHEET 1 OF 1	
REV A2		DATE 29MAR11		DWN RK	
APVD HMR		DESCRIPTION		DATE	
A2		REVISED PER ECO-11-005033		29MAR11	
DIM A		PACKAGING TYPE		PART NO	
9.95		STANDARD		5787444-2	
8.95		STANDARD		5787444-1	
DIN		WENKE HE		19APROS	
CHK		STEVEN YAO		19APROS	
APVD		KENOMOTO		19APROS	
PRODUCT SPEC		NAME		TE Connectivity	
APPLICATION SPEC		SIZE		CAGE CODE	
A1		00779		5787444	
CUSTOMER DRAWING		SCALE 4:1		SHEET 1 OF 1	
REV A2		DATE 29MAR11		DWN RK	
APVD HMR		DESCRIPTION		DATE	
A2		REVISED PER ECO-11-005033		29MAR11	
DIM A		PACKAGING TYPE		PART NO	
9.95		STANDARD		5787444-2	
8.95		STANDARD		5787444-1	
DIN		WENKE HE		19APROS	
CHK		STEVEN YAO		19APROS	
APVD		KENOMOTO		19APROS	
PRODUCT SPEC		NAME		TE Connectivity	
APPLICATION SPEC		SIZE		CAGE CODE	
A1		00779			