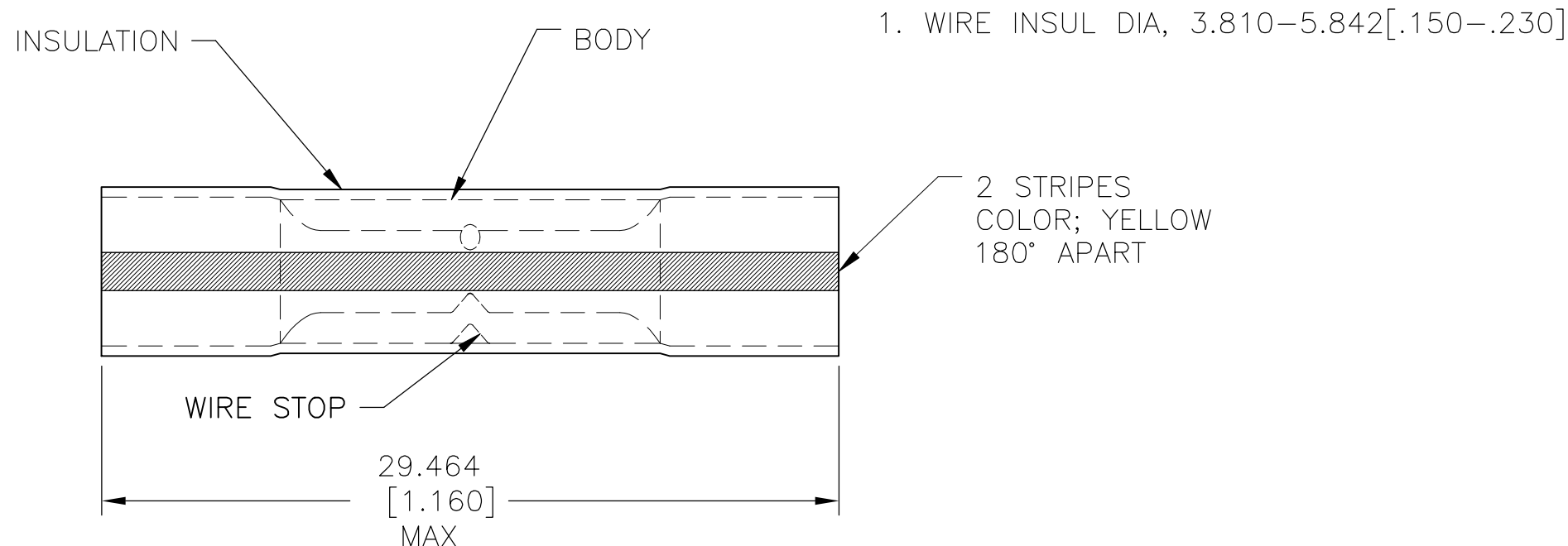


| P | LTR | DESCRIPTION | DATE | DWN | APVD |
|---|-----|---------------------------|-----------|-----|------|
| | E | REV/0720-0612-95 | 31MAY95 | - | ME |
| | E1 | REVISED PER ECO-17-014338 | 28MAR2018 | RS | DR |



| QTY | PACKAGE TYPE | MATERIAL & FINISH | PART NO |
|------|---------------|---|---------|
| 1500 | ON TAPE, REEL | BODY, COPPER PER ASTM B-152 TIN PL 0.00254[.000100] MIN THK PER ASTM B545 | 55793-2 |
| 500 | LOOSE PIECE | INSULATION, VINYL COLOR, TRANSPARENT | 55793-1 |

| | | | | | |
|--|--|--------------------------------|--|--------------------|-----------------------|
| THIS DRAWING IS A CONTROLLED DOCUMENT. | | DWN DK SCHRUM 10/8/90 | STE TE Connectivity Ltd. | | |
| DIMENSIONS: mm [INCHES] | | CHK MS FEHER 10/9/90 | | | |
| TOLERANCES UNLESS OTHERWISE SPECIFIED: | | APVD PJ RUELIUS 10/12/90 | NAME SPLICE, BUTT, PLASTI-GRIP, WIRE SIZE, 12-10 AWG | | |
| 0 PLC ± - | | PRODUCT SPEC UL 486A-B | RESTRICTED TO | | |
| 1 PLC ± - | | APPLICATION SPEC 114-2161 | SIZE A3 | CAGE CODE 00779 | DRAWING NO C-55793 |
| 2 PLC ± - | | MATERIAL SEE TABLE | SCALE 4:1 | | |
| 3 PLC ± 0.127[.005] | | FINISH SEE TABLE | SHEET 1 OF 1 | | |
| 4 PLC ± - | | CUSTOMER DRAWING | | | |
| ANGLES ± - | | REV E1 | | | |