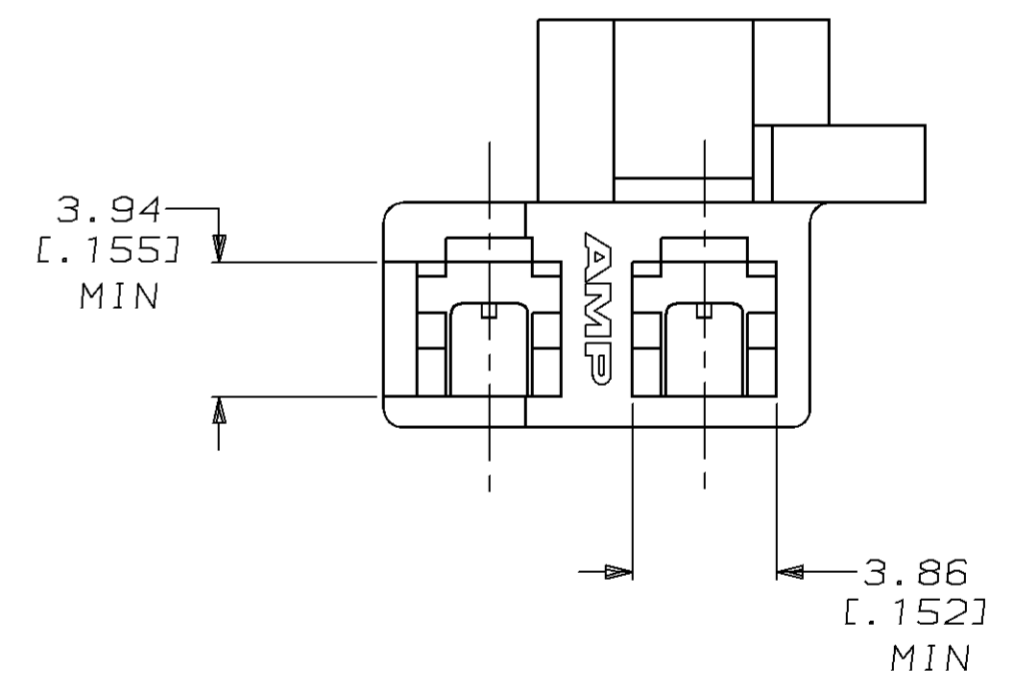
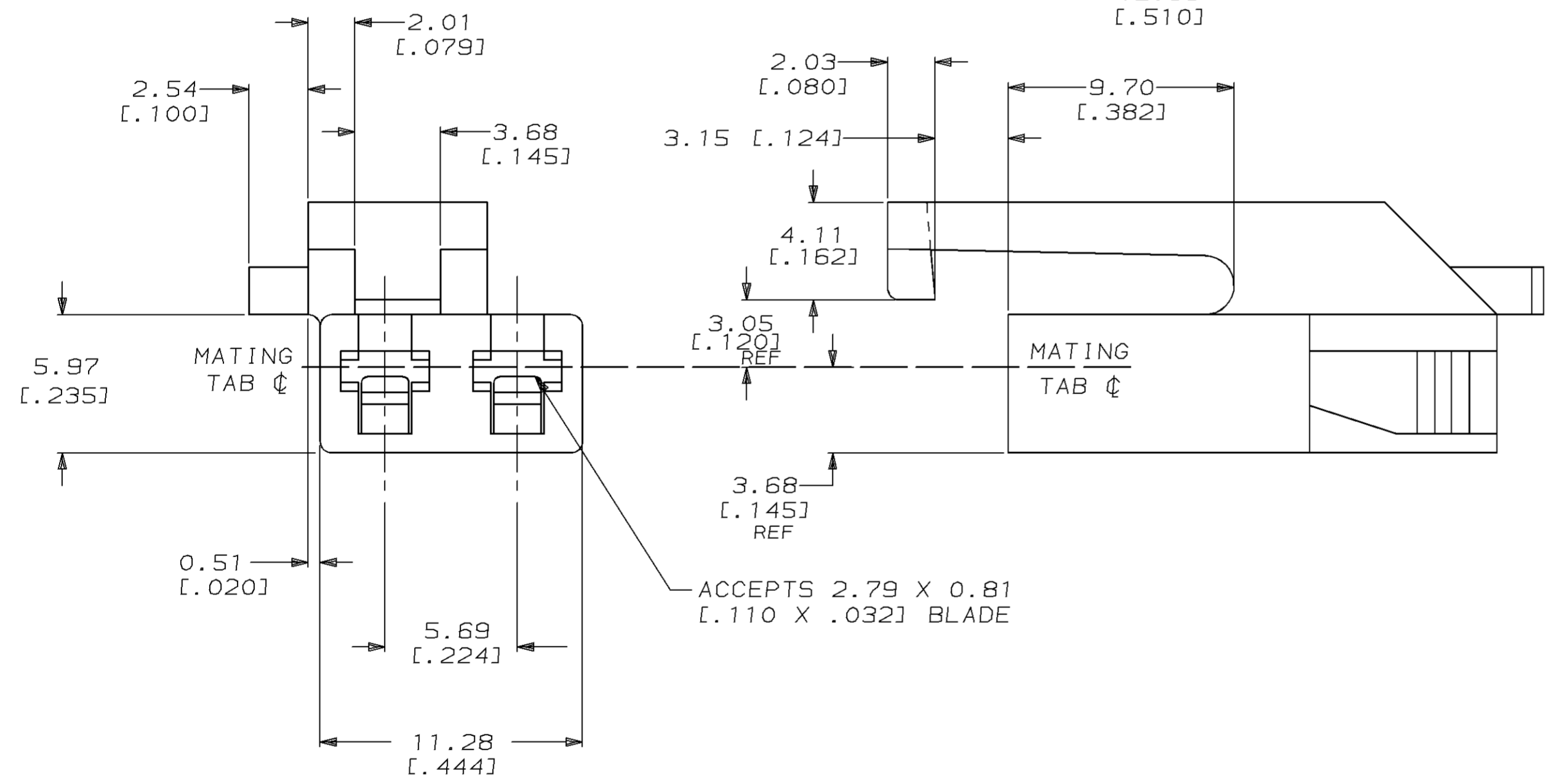
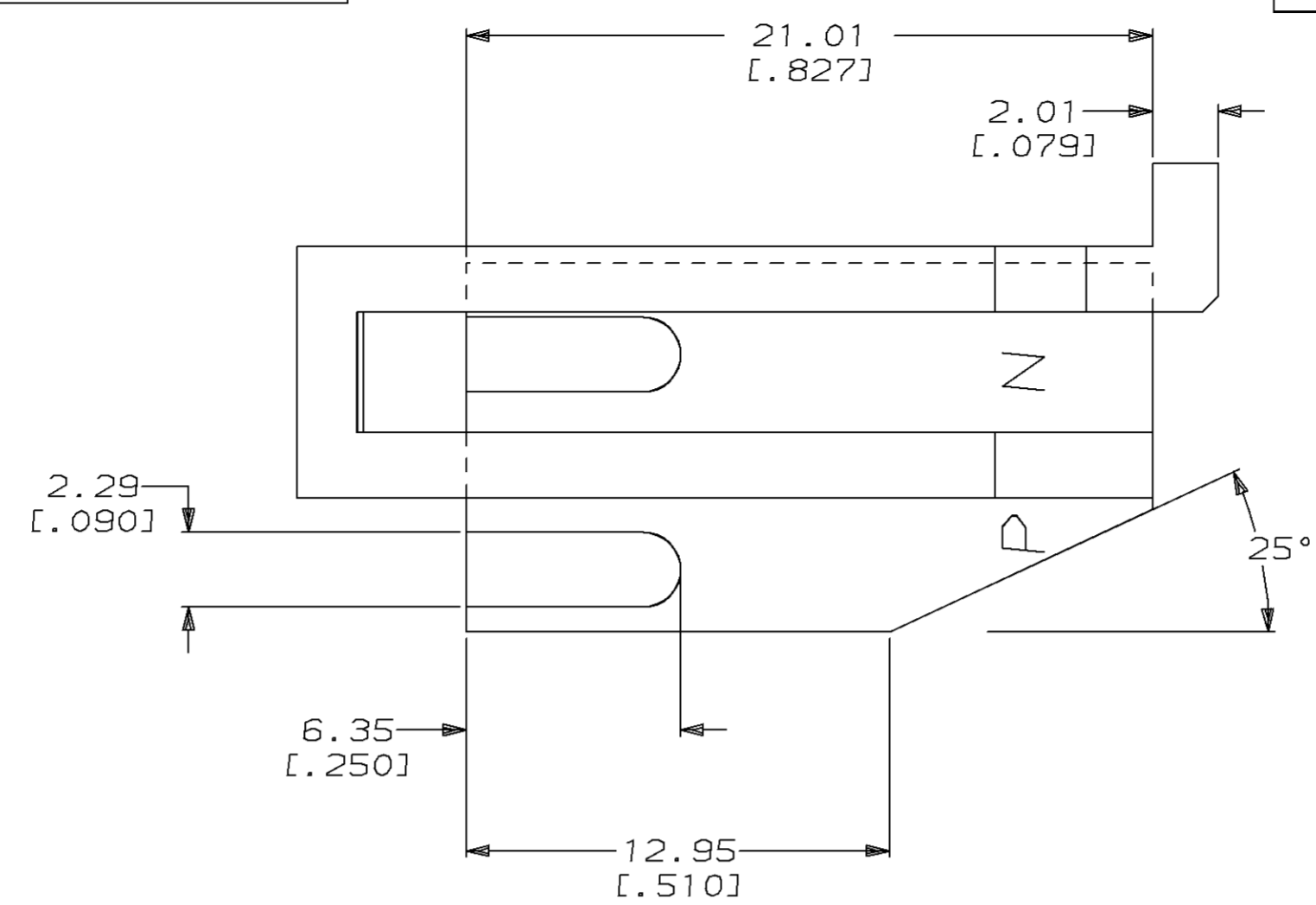
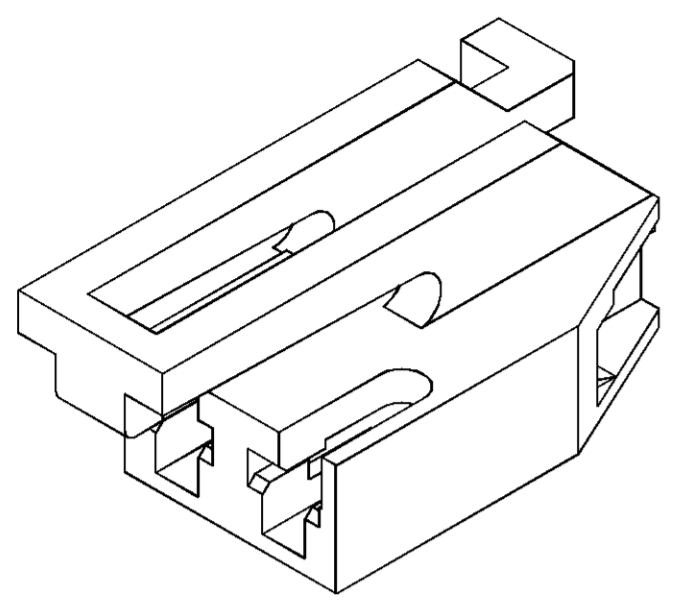


LOC	DIST	P	F	ZONE	LTR	REVISIONS	DATE	APPD
AF	50				J	REV PER 0710-0363-95	8/16/95	JR/RB

- 1 TERMINAL RETENTION 12 LBS MINIMUM AS MEASURED WITH GAGE#100716-147.
- 2 ALL YELLOW (520217-3) HOUSINGS TO CONTAIN LESS THAN 75 PPM CADMIUM.



NATURAL VALOX 325	520217-4
YELLOW 6/6 NYLON	520217-3
BLACK 6/6 NYLON	520217-2
NATURAL 6/6 NYLON	520217-1

OBSOLETE

DO NOT SCALE PRINT. UNLESS SPECIFIED DIMENSIONS IN mm [INCHES] TOLERANCES ON : 2 PLC DEC ± 0.38 [.015] 3 PLC DEC ± - ANGLES ± -		DR 12/6/94 JR RUTH	AMP Incorporated Harrisburg, PA 17105-3608	
MATERIAL SEE TABLE		CHK 12/6/94 MS FEHER		
FINISH SEE TABLE		APPD 12/6/94 R BEAVER	SIZE C 00779	DRAWING NO G=520217
		APPD 12/6/94 R REINER	SCALE 5:1	SHEET 1 OF 1
		PRODUCT SPEC -	PART NO	
		APPLICATION SPEC -		
		WEIGHT -		

THIS DRAWING IS A CONTROLLED DOCUMENT FOR AMP INCORPORATED. IT IS SUBJECT TO CHANGE AND THE CONTROLLING ENGINEERING ORGANIZATION SHOULD BE CONTACTED FOR THE LATEST REVISION.