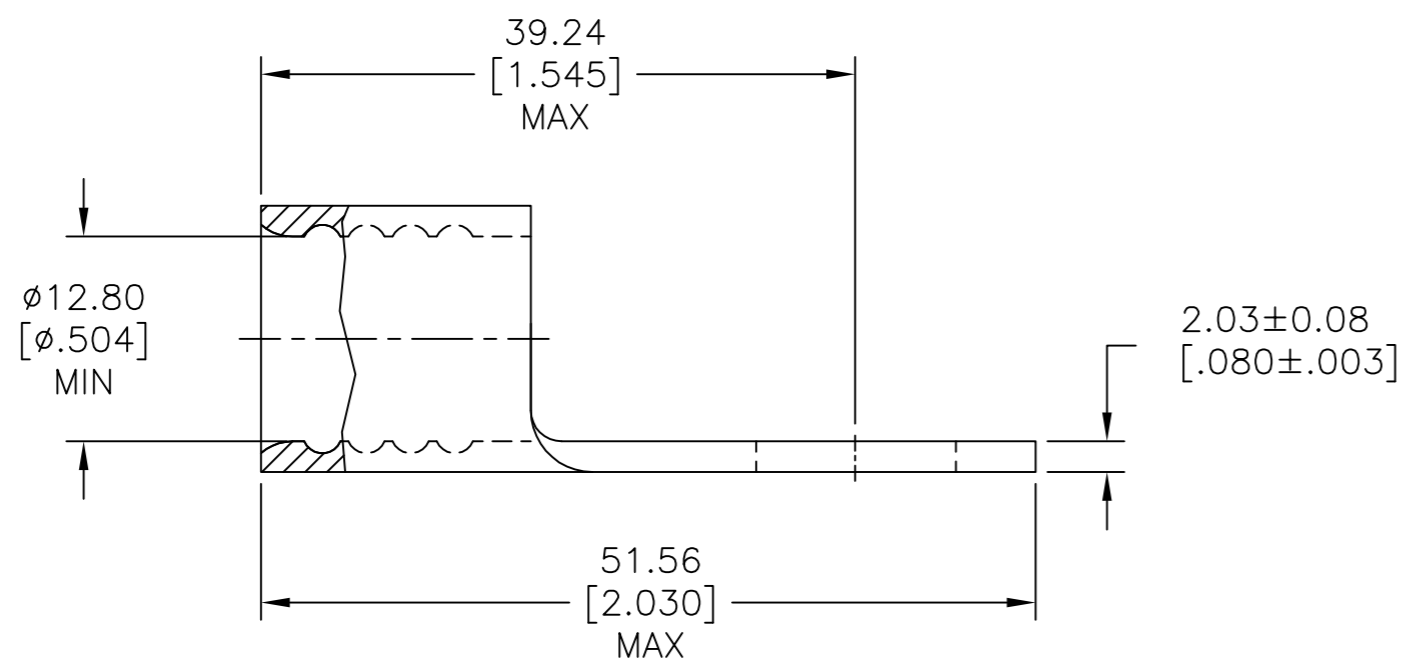
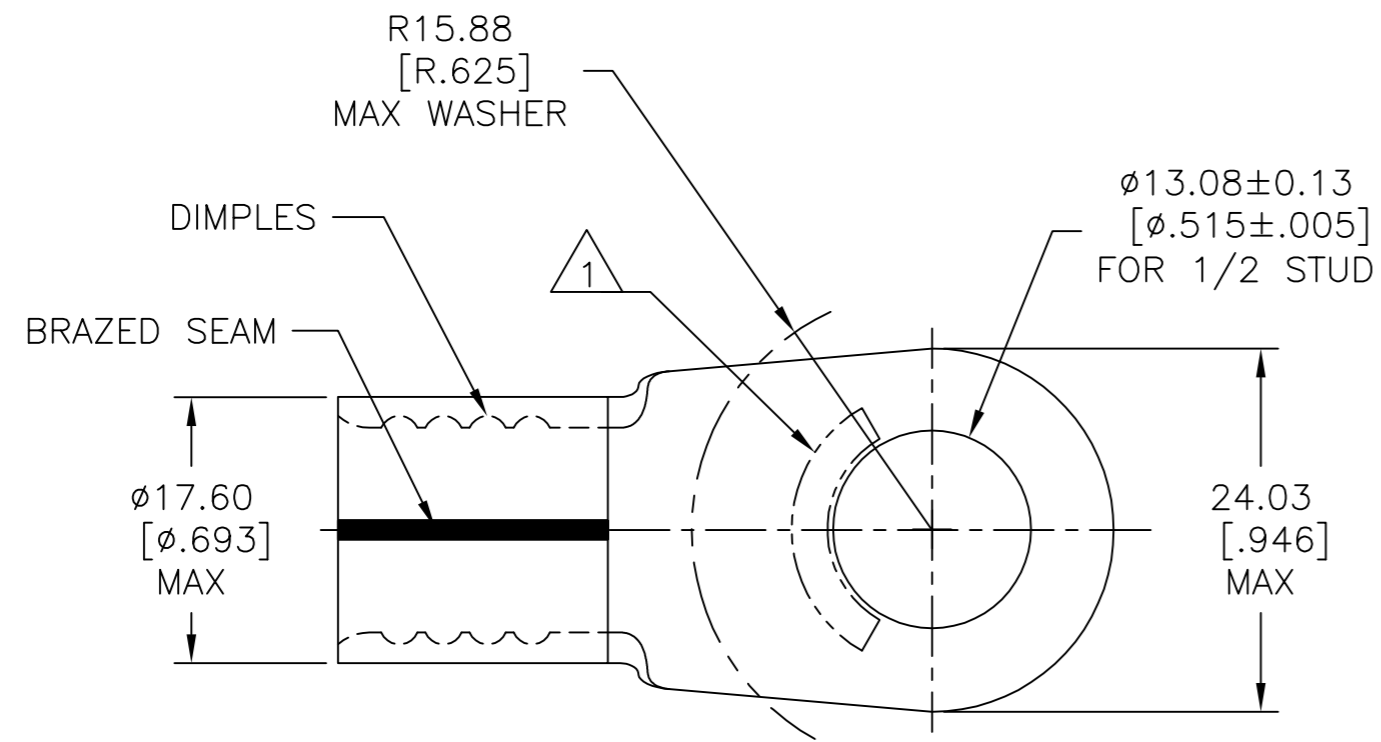


THIS DRAWING IS UNPUBLISHED. RELEASED FOR PUBLICATION  
 © COPYRIGHT - TE Connectivity ALL RIGHTS RESERVED.

REVISIONS					
P	LTR	DESCRIPTION	DATE	DWN	APVD
L		REV PER ECR 10-000722	25JAN10	JR	TM
L1		REVISED PER ECO-17-004099	23AUG2017	RS	DR



<b>AMP</b> WIRE RANGE	E13288 Listed	LR7189 Certified
2/0 AWG SOLID OR STRANDED	2/0 AWG STRANDED	2/0 AWG SOLID OR STRANDED

- 1 STAMP AMP 2/0W\* APPROX AS SHOWN.
- 2 COPPER PER ASTM B-152, ANNEALED.
- 3 TIN PLATE 0.00254 [.000100] MIN THK EXT. PER ASTM B-545.
- 4 MAX RECOMMENDED OPERATING TEMP IS 170°C.
- 5 WIRE CROSS SECTIONAL AREA RANGE: 60.6-76.3mm [119,500-150,500] CMA SOLID OR STRANDED.

50	LOOSE PIECE	36925
QTY	PACKAGING TYPE	PART NO.

THIS DRAWING IS A CONTROLLED DOCUMENT.		DWN DK_SCHRUM 1/14/94	TE Connectivity NAME TERMINAL, RING TONGUE, SOLISTRAND, 2/0 AWG			
DIMENSIONS: mm [INCHES]		CHK AJ KAUFMAN 1/19/94				
TOLERANCES UNLESS OTHERWISE SPECIFIED:		APVD JL MECKLEY 1/19/94				
0 PLC ± - 1 PLC ± - 2 PLC ± 0.20[.008] 3 PLC ± - 4 PLC ± - ANGLES ± - FINISH		PRODUCT SPEC - APPLICATION SPEC - WEIGHT -				
MATERIAL	2	3	SIZE A2	CAGE CODE 00779	DRAWING NO C=36925	RESTRICTED TO -
CUSTOMER DRAWING			SCALE 2:1	SHEET 1 of 1	REV L1	

36925