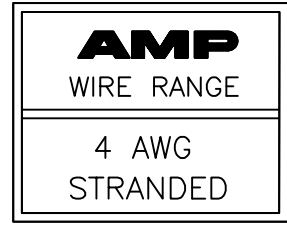
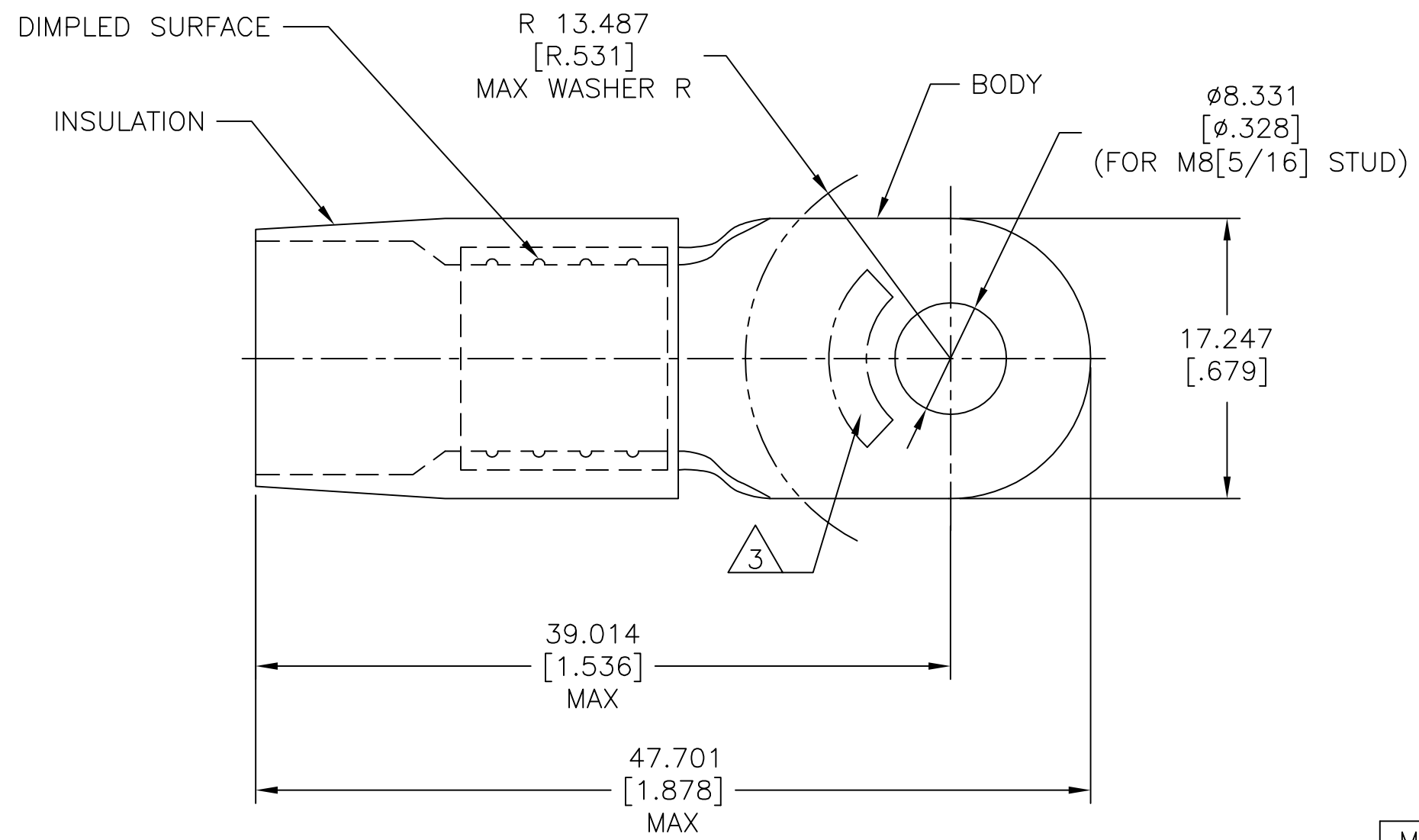


REVISIONS					
P	LTR	DESCRIPTION	DATE	DWN	APVD
	F	EC 0720-0279-93	6-18-93	SSG	BB
	F1	REVISED PER ECO-17-014333	16OCT2017	RS	DR



- 1 BODY MATERIAL THK 1.219±0.051[.048±.002]
- 2 FOR $\phi 9.703[\phi .382]$ MAX WIRE INS.
- 3 STAMP AMP 4* APPROX AS SHOWN.



MS25036-124 CLASS 2	100	LOOSE PC	324051
MILITARY P/N AND CLASS	QTY	PACKAGE TYPE	PART NO

AMP INCORPORATED CUSTOMER SERVICE SYSTEMS		MAX RECOMMENDED OPERATING TEMPERATURE: 105°C[221°F]	THIS DRAWING IS A CONTROLLED DOCUMENT.		DWN S.S. GOULDEN 6-18-93	TE Connectivity NAME TERMINAL, RING TONGUE, TERMINYL WIRE SIZE: 4 AWG			
FOR ADDITIONAL PRODUCT INFORMATION OR COPIES OF DRAWINGS AND TECHNICAL DOCUMENTS	PRODUCT INFORMATION CENTER 1-800-522-6752	VOLTAGE RATING: -	DIMENSIONS: mm [INCHES]	TOLERANCES UNLESS OTHERWISE SPECIFIED:	CHK R. HERSEY 6-18-93				
FOR APPLICATION TOOLING INFORMATION	TOOLING ASSISTANCE CENTER 1-800-722-1111	CIRCULAR MIL AREA: 16.8-26.7mm ² [33,100-52,600] STRANDED		0 PLC ± - 1 PLC ± - 2 PLC ± - 3 PLC ± 0.127[.005] 4 PLC ± - ANGLES ± -	APVD B. BARE 6-18-93	SIZE CAGE CODE DRAWING NO RESTRICTED TO			
FOR ORDER ENTRY	1-800-526-5142	THIS DRAWING IS A CONTROLLED DOCUMENT FOR AMP INCORPORATED. IT IS SUBJECT TO CHANGE AND THE CONTROLLING ENGINEERING ORGANIZATION SHOULD BE CONTACTED FOR THE LATEST REVISION.		MATERIAL BODY: COPPER PER ASTM B-152 INSULATION: NYLON ASTM D4066 TYPE I	FINISH BODY: TIN PLATE PER ASTM B545 INSULATION: COLOR-YELLOW	PRODUCT SPEC APPLICATION SPEC	A3 00779 C-324051		
					WEIGHT -	CUSTOMER DRAWING SCALE NTS SHEET 1 OF 1 REV F1			