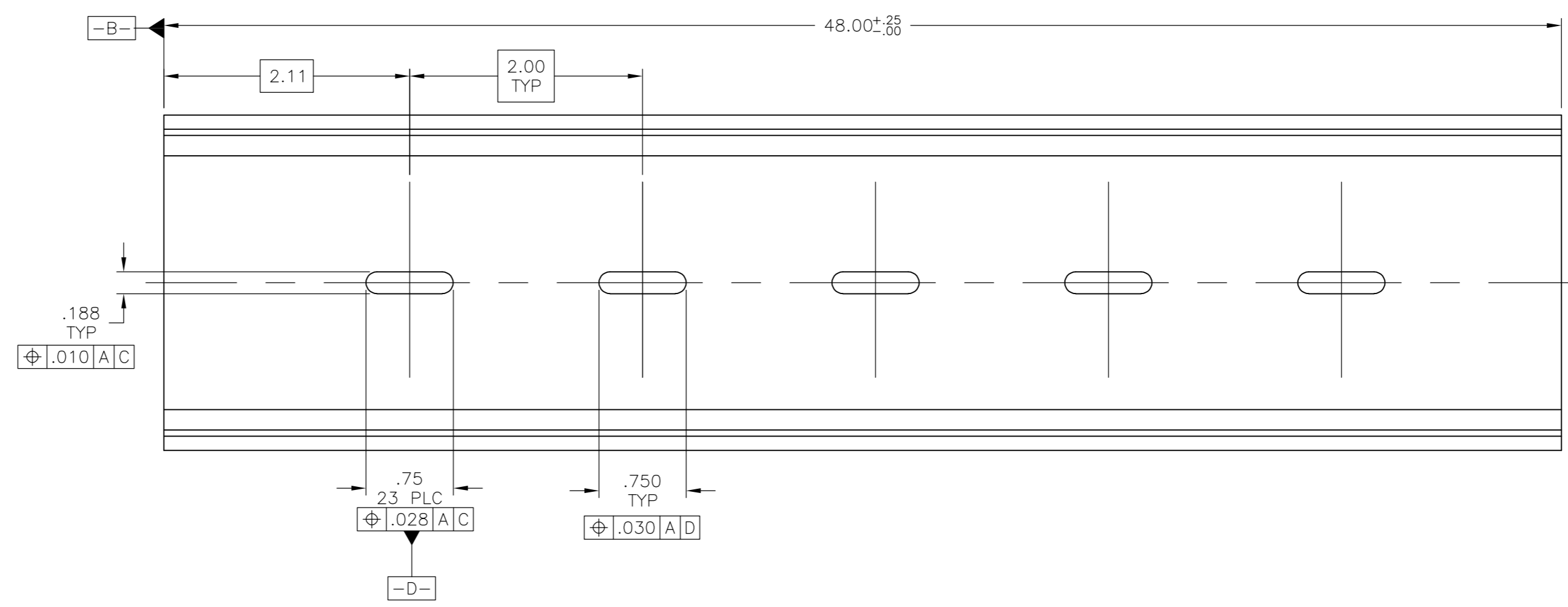
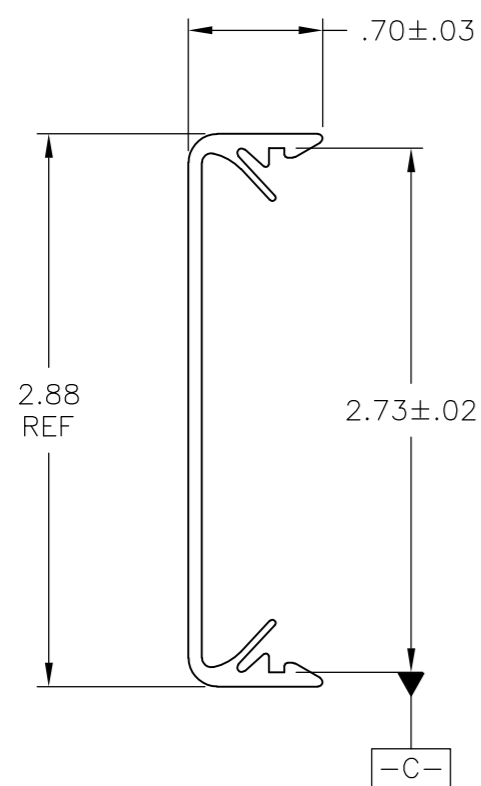


THIS DRAWING IS UNPUBLISHED. RELEASED FOR PUBLICATION
 © COPYRIGHT - By - ALL RIGHTS RESERVED.

LOC	DIST	REVISIONS			
P	LTR	DESCRIPTION	DATE	DWN	APVD
FT	0	B	REVISED PER ECO-13-012297	31JUL2013	KH MB

- 1 MATERIAL: RIGID PVC, COLOR: GRAY.
- 2. DESIGNED FOR 2.75 PC BOARD WIDTH.



1-1437685-3
 PART NUMBER

THIS DRAWING IS A CONTROLLED DOCUMENT.		DWN	S SCHLEGEL	3/4/08	TE TE Connectivity
DIMENSIONS: INCHES		CHK	C WARNER	3/4/08	
TOLERANCES UNLESS OTHERWISE SPECIFIED:		APVD	C WARNER	3/4/08	
0 PLC ± - 1 PLC ± - 2 PLC ± .02 3 PLC ± .010 4 PLC ± - ANGLES ± -		NAME		2TK2-48 SNAPTRACK	
MATERIAL -		FINISH -		WEIGHT -	SIZE A2
		CUSTOMER DRAWING		SCALE NTS	SHEET 1 of 1
				RESTRICTED TO -	REV B

1-1437685-3