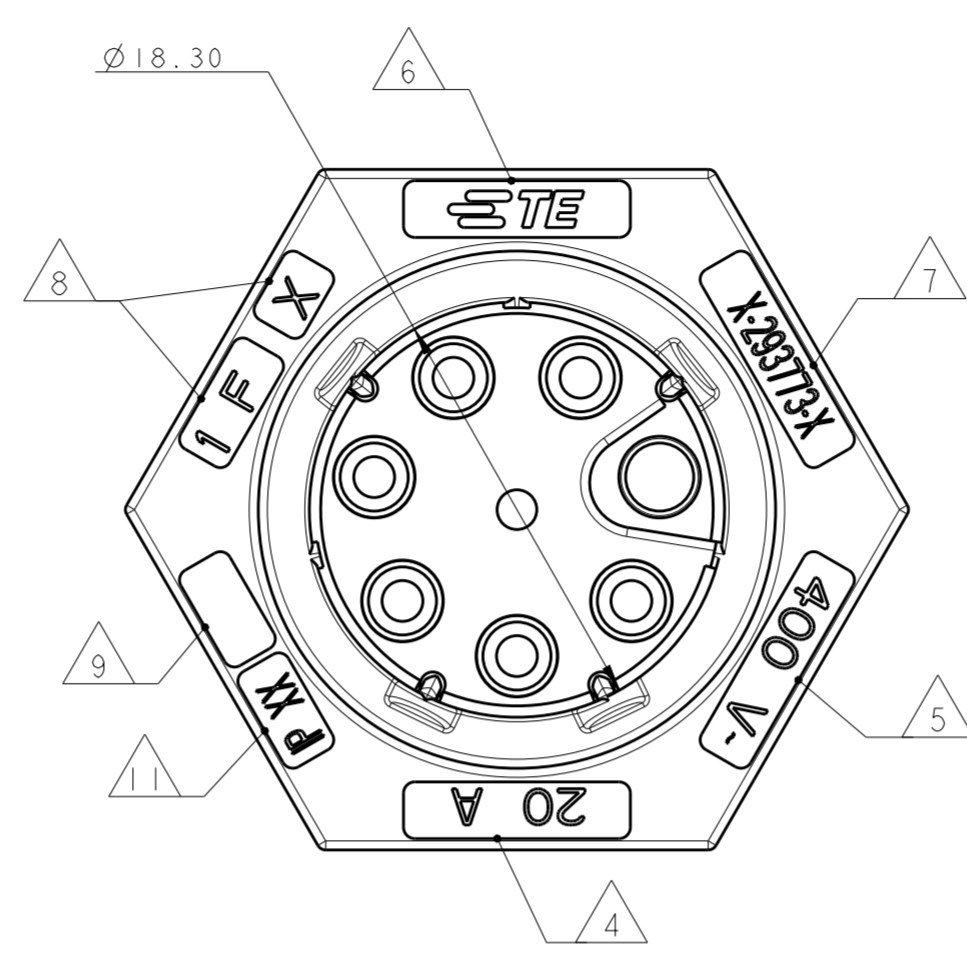
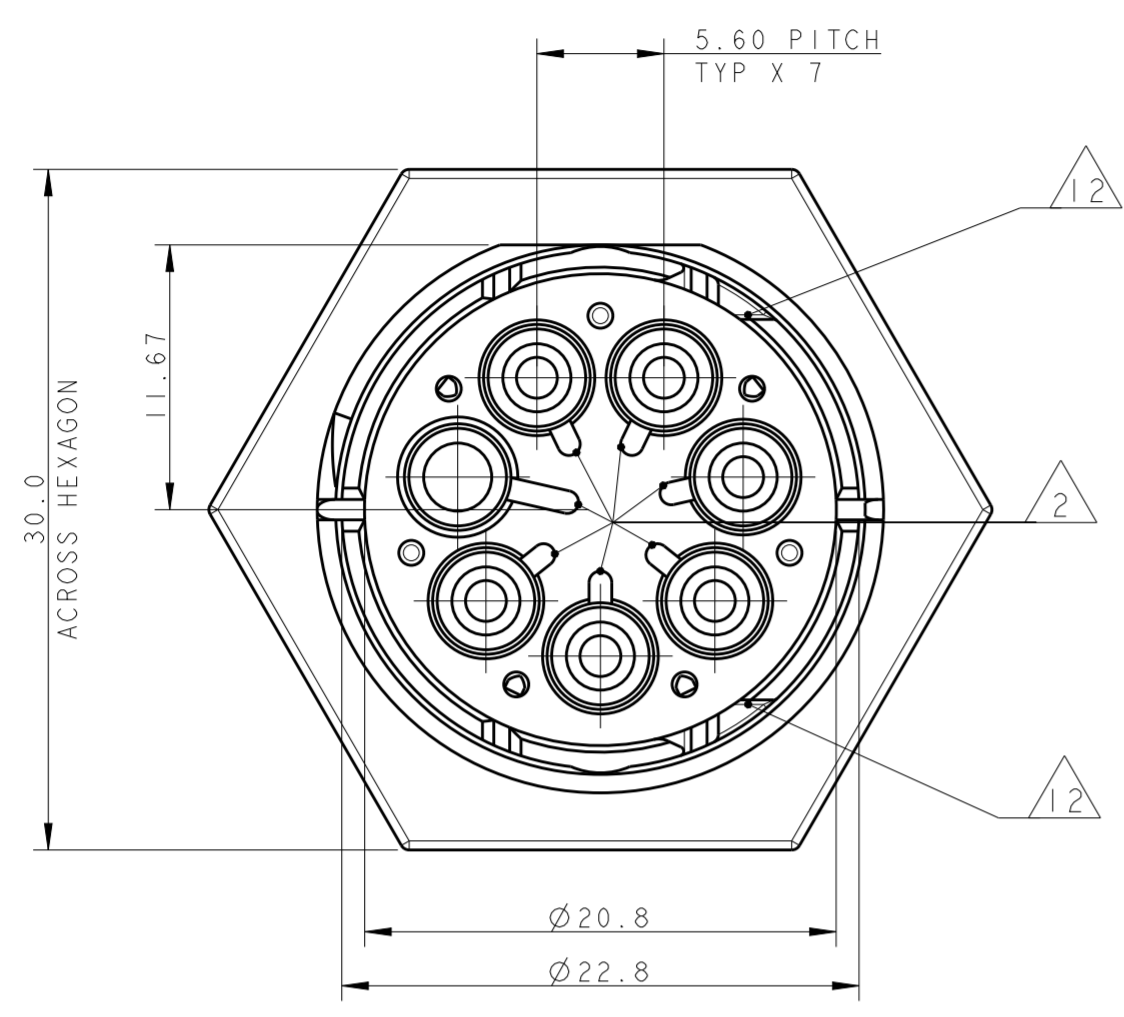
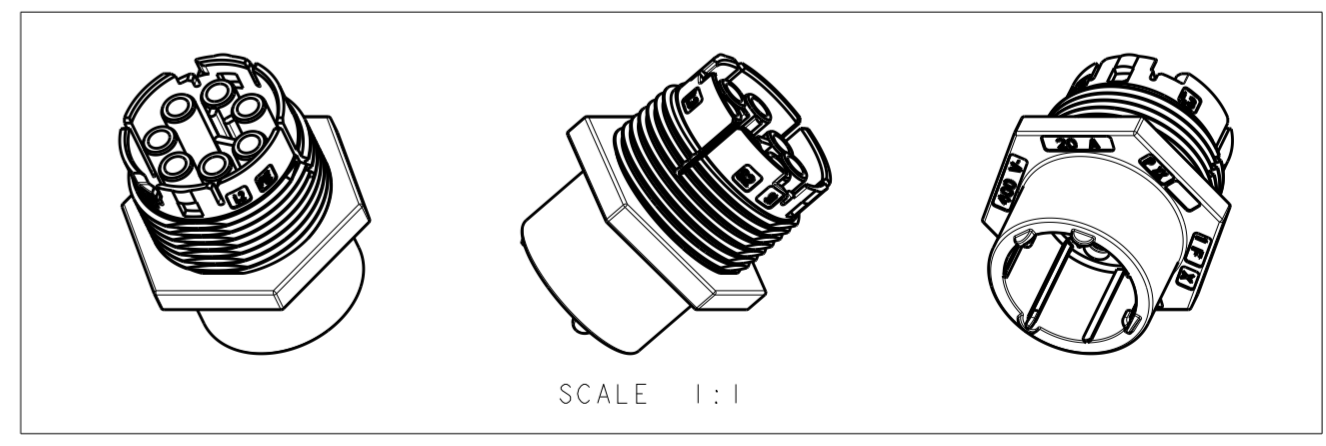
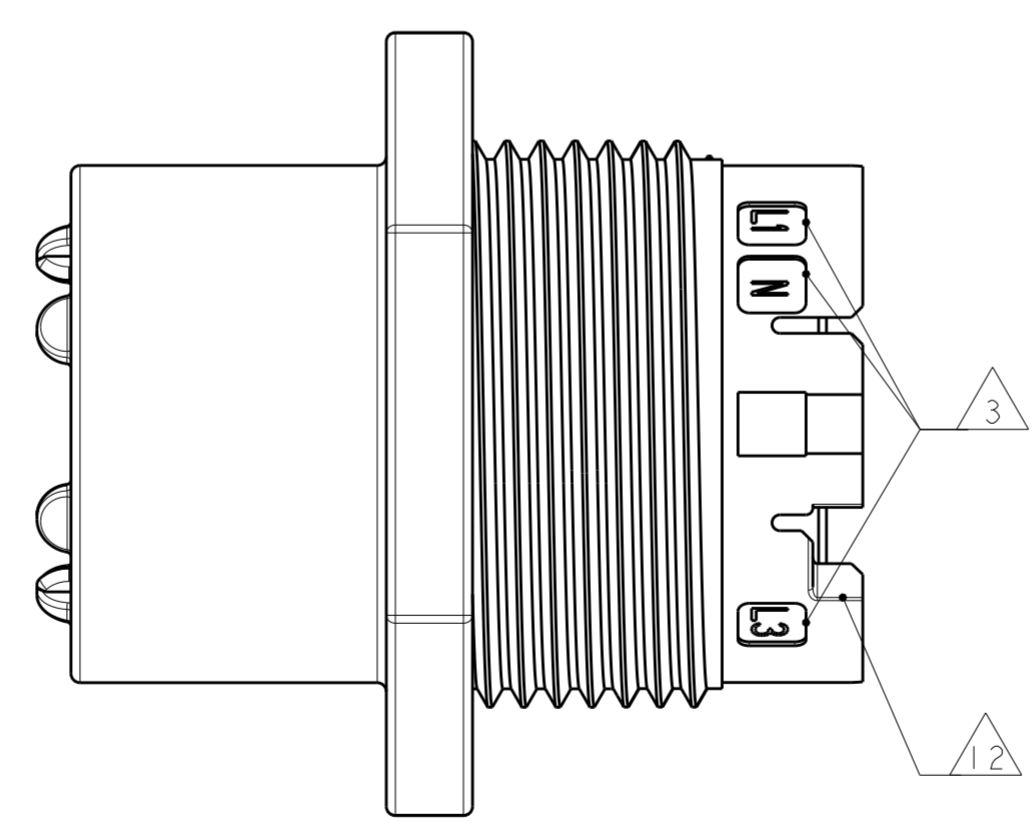
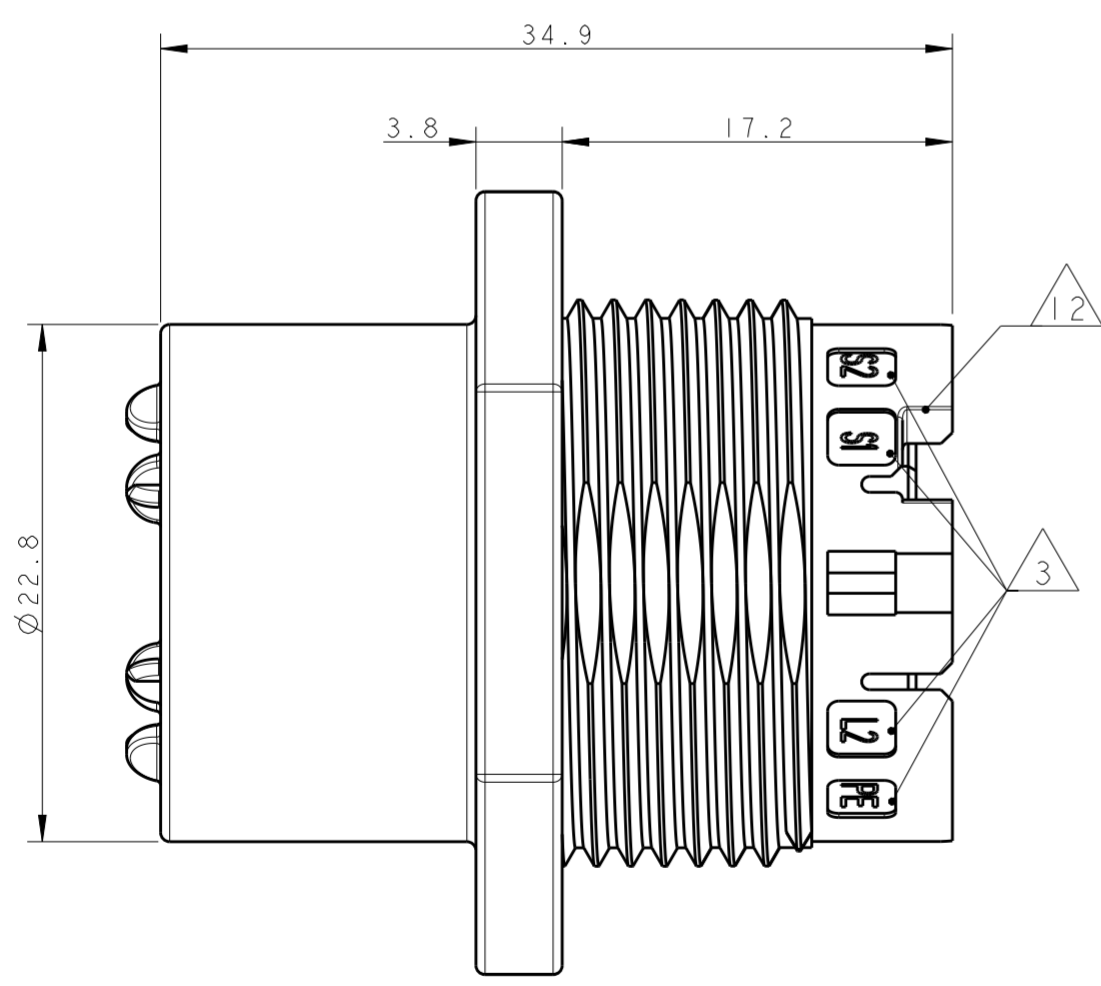


THIS DRAWING IS UNPUBLISHED. RELEASED FOR PUBLICATION 2011  
 © COPYRIGHT 2011 BY - ALL RIGHTS RESERVED.

LOC		DIST		REVISIONS			
P	LTR	DESCRIPTION		DATE	DWN	APVD	
3		UPDATED		22JUL2013	MZ	JC	
A		PARTS RELEASED FOR PRODUCTION		14NOV2013	MZ	JC	
B		ECR-15-011011		27JUL2015	RS	PO	
BI		REVISED PER ECR-18-006945		30MAY2018	NG	MZ	



- NOTES:
- 1 MATERIAL: PA GF (NATURAL AND BLACK COLOUR)
  - 2 ALL POLARIZATION KEYS SHOWN FOR REF ONLY
  - 3 WAYS I.D.
  - 4 CURRENT RATING
  - 5 VOLTAGE RATING
  - 6 TE LOGO
  - 7 TE PART NUMBER
  - 8 DATA CODE AND CAVITY I.D.
  - 9 AREA FOR AGENCIES APPROVAL LOGO
  - 10) SEE C-DRAWING 293682 (LOCKING CAP) TO GET IP 40
  - 11 IP CODE
  - 12 SLOTS TO ALLOW DELATCHING TOOL OPERATION. FOR DELATCHING TOOL AND OPERATION REFER TO APPLICATION SPECIFICATION



THIS DRAWING IS A CONTROLLED DOCUMENT.		DWN A. BERNARDI 31MAR2011	TE Connectivity	
DIMENSIONS: mm		CHK M. ZUCCA 31MAR2011		
TOLERANCES UNLESS OTHERWISE SPECIFIED:		APVD G. TURCO 31MAR2011	NAME SKT HOUSING 7 POLES PANEL MOUNT NECTOR M-LINE UNSEALED VERSION	
0 PLC ± 1 PLC ±0.3 2 PLC ±0.20 3 PLC ± 4 PLC ± ANGLES ±3° FINISH		PRODUCT SPEC -	SIZE A2	CAGE CODE 0779
MATERIAL		APPLICATION SPEC -	DRAWING NO C-293773	RESTRICTED TO -
NOTE 1		WEIGHT -	SCALE 3:1	SHEET 1 OF 3
		Customer Drawing		REV BI

THIS DRAWING IS UNPUBLISHED. RELEASED FOR PUBLICATION 2011  
 © COPYRIGHT 2011 BY - ALL RIGHTS RESERVED.

LOC	DIST	REVISIONS			
P	LTR	DESCRIPTION	DATE	DWN	APVD
-	-	SEE SHEET 1	-	-	-

### POLARIZATION TYPES

POLARIZATION TYPE "A"	POLARIZATION TYPE "B"	POLARIZATION TYPE "C"
PNs 0-293773-1 AND 1-293773-1	PNs 0-293773-2 AND 1-293773-2	PNs 0-293773-3 AND 1-293773-3
POLARIZATION TYPE "D"	POLARIZATION TYPE "E"	
PNs <del>0-293773-4</del> AND <del>1-293773-4</del>	PNs <del>0-293773-5</del> AND <del>1-293773-5</del>	

NOTE	POL. KEYING	COLOUR	DESCRIPTION	REV.	P/N	
OBSOLETE		E	BLACK	SOCKET HSG 7 POLES PANEL MOUNT NECTOR* M-LINE	A	<del>0-293773-5</del>
		D	BLACK	SOCKET HSG 7 POLES PANEL MOUNT NECTOR* M-LINE	A	<del>0-293773-4</del>
		C	BLACK	SOCKET HSG 7 POLES PANEL MOUNT NECTOR* M-LINE	A	1-293773-3
		B	BLACK	SOCKET HSG 7 POLES PANEL MOUNT NECTOR* M-LINE	A	1-293773-2
		A	BLACK	SOCKET HSG 7 POLES PANEL MOUNT NECTOR* M-LINE	A	1-293773-1
OBSOLETE		E	NATURAL	SOCKET HSG 7 POLES PANEL MOUNT NECTOR* M-LINE	A	<del>0-293773-5</del>
		D	NATURAL	SOCKET HSG 7 POLES PANEL MOUNT NECTOR* M-LINE	A	<del>0-293773-4</del>
		C	NATURAL	SOCKET HSG 7 POLES PANEL MOUNT NECTOR* M-LINE	A	0-293773-3
		B	NATURAL	SOCKET HSG 7 POLES PANEL MOUNT NECTOR* M-LINE	A	0-293773-2
		A	NATURAL	SOCKET HSG 7 POLES PANEL MOUNT NECTOR* M-LINE	A	0-293773-1

THIS DRAWING IS A CONTROLLED DOCUMENT.

DIMENSIONS: mm	TOLERANCES UNLESS OTHERWISE SPECIFIED:	DWN: A. BERNARDI 31MAR2011	TE Connectivity SKT HOUSING 7 POLES PANEL MOUNT NECTOR M-LINE UNSEALED VERSION
	0 PLC ±	CHK: M. ZUCCA 31MAR2011	
	1 PLC ±0.3	APVD: G. TURCO 31MAR2011	
	2 PLC ±0.20	PRODUCT SPEC	
	3 PLC ±	APPLICATION SPEC	SIZE: A2
	4 PLC ±	WEIGHT	CAGE CODE: C-293773
MATERIAL	ANGLES ±3°	FINISH	DRAWING NO: A200779
NOTE 1			RESTRICTED TO: -
		Customer Drawing	SCALE: 3:1 SHEET 2 OF 3 REV: B1

4

3

2

1

THIS DRAWING IS UNPUBLISHED. RELEASED FOR PUBLICATION 2011

© COPYRIGHT 2011 BY - ALL RIGHTS RESERVED.

LOC		DIST		REVISIONS			
P	LTR	DESCRIPTION	DATE	DWN	APVD		
-	-	SEE SHEET 1	-	-	-		

PN 293773-3 AS SHOWN

11.67 ± 0.20

Ø25.0

1.5 - 4.0

7.0 REF

13.2 REF

PANEL/WALL  
SUGGESTED LAYOUT

Ø25.00 ± 0.20

11.80 ± 0.20

3D VIEWS,  
FOR REFERENCE ONLY  
PN 293773-3 AS SHOWN

THIS DRAWING IS A CONTROLLED DOCUMENT.		DWN A. BERNARDI 31MAR2011	TE Connectivity	
DIMENSIONS: mm		CHK M. ZUCCA 31MAR2011		
TOLERANCES UNLESS OTHERWISE SPECIFIED:		APVD G. TURCO 31MAR2011	NAME SKT HOUSING 7 POLES PANEL MOUNT NECTOR M-LINE UNSEALED VERSION	
0 PLC ±	1 PLC ±0.3	PRODUCT SPEC	SIZE	CAGE CODE
2 PLC ±0.20	3 PLC ±	APPLICATION SPEC	A200779	C-293773
4 PLC ±	ANGLES ±3°	WEIGHT	SCALE	SHEET
FINISH		Customer Drawing	3:1	3 OF 3
NOTE 1				REV B1

1471-9 (3/11)