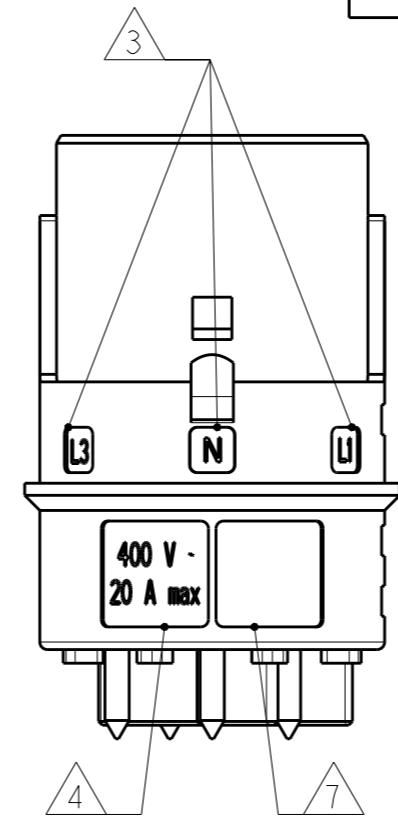
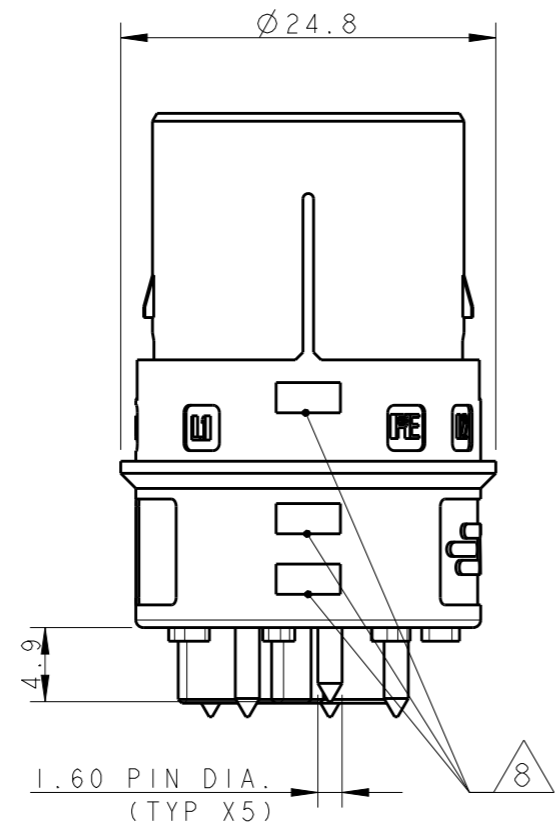
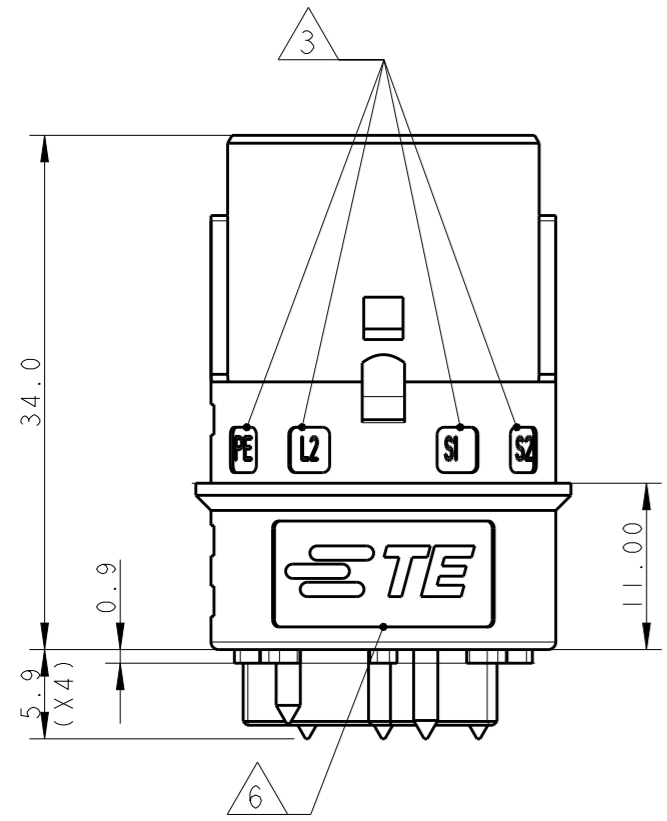


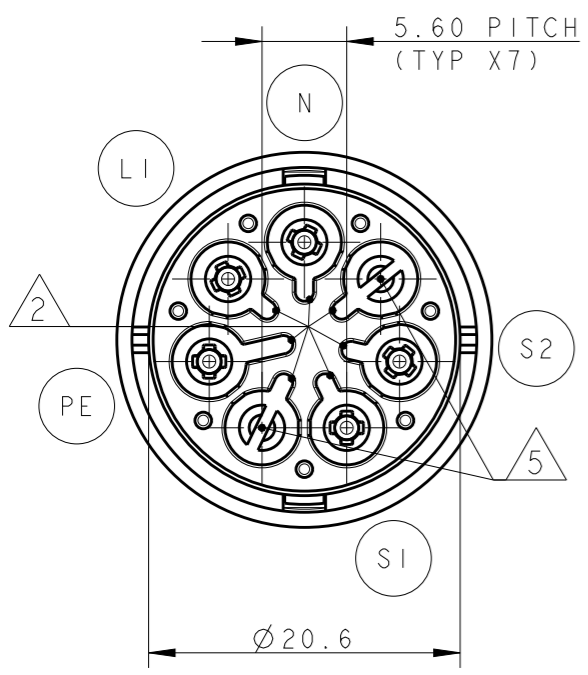
THIS DRAWING IS UNPUBLISHED. RELEASED FOR PUBLICATION 2011
 © COPYRIGHT 2011 ALL RIGHTS RESERVED.

LOC	DIST	REVISIONS				
P	LTR	DESCRIPTION	DATE	DWN	APVD	
1	-	AI	REVISED PER ECR-18-006945	30MAY2018	NG	MZ



NOTES:

- ① MATERIAL: PA GF (NATURAL COLOUR)
- ② ALL POLARIZATION KEYS SHOWN FOR REF ONLY
- ③ WAYS I.D.
- ④ VOLTAGE AND CURRENT RATINGS
- ⑤ RIB CLOSING CAVITIES BY CHANGE OVER
- ⑥ TE LOGO
- ⑦ AREA FOR AGENCIES APPROVAL LOGO
- ⑧ VISUAL INDICATOR FOR PE CONDUCTOR
- ⑨ POLARISATION KEY "TYPE D" SUITABLE FOR DALI APPLICATION



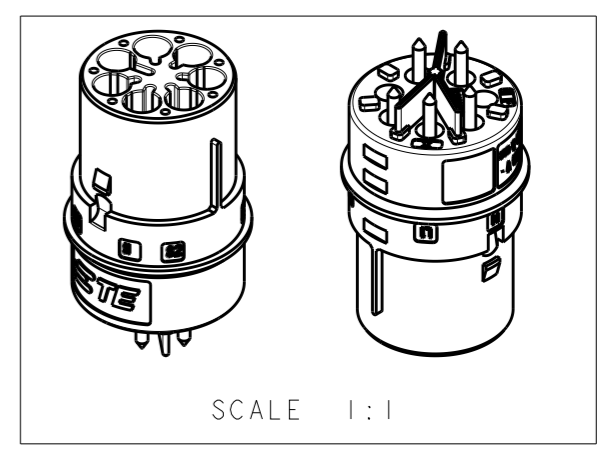
PCB CUT-OUT AND HOLES DIMENSIONS (±0.03)

BOTTOM VIEW

TOP VIEW

BOTTOM VIEW

RACOMANDED PCB THICKNESS 1.6±0.06, PATH THICKNESS 0.07, PATH WIDTH 7.50±0.05 FOR LINES, PE, NEUTRAL



THIS DRAWING IS A CONTROLLED DOCUMENT.		DWN M. ZUCCA 04APR2011	TE Connectivity PIN PCB CONNECTOR NECTOR* M-LINE 5 POLES			
DIMENSIONS: mm		CHK M. ZUCCA 04APR2011				NAME
TOLERANCES UNLESS OTHERWISE SPECIFIED:		APVD G. TURCO 04APR2011				PRODUCT SPEC
0 PLC ±- 1 PLC ±0.3 2 PLC ±0.20 3 PLC ±- 4 PLC ±- ANGLES ±3°		APPLICATION SPEC				SIZE
MATERIAL -		FINISH -	WEIGHT -	CAGE CODE	DRAWING NO	RESTRICTED TO
		Customer Drawing		A300779	C-293695	-
				SCALE 2:1	SHEET 1 OF 2	REV AI

THIS DRAWING IS UNPUBLISHED.

RELEASED FOR PUBLICATION

2011

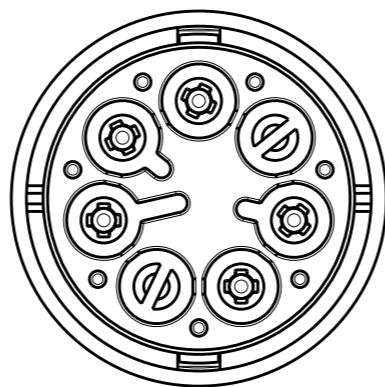
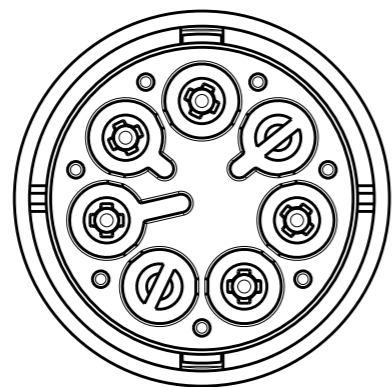
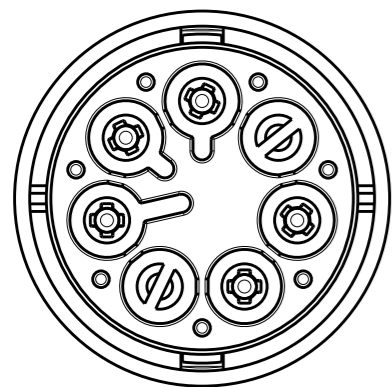
© COPYRIGHT 2011

ALL RIGHTS RESERVED.

LOC	DIST	REVISIONS			
P	LTR	DESCRIPTION	DATE	DWN	APVD
	-	SEE SHEET 1	-	-	-

POLARIZATION TYPES

POLARIZATION TYPE "A" POLARIZATION TYPE "B" POLARIZATION TYPE "C"



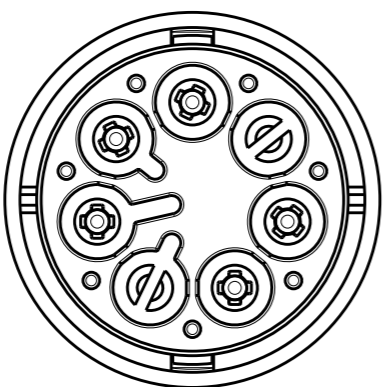
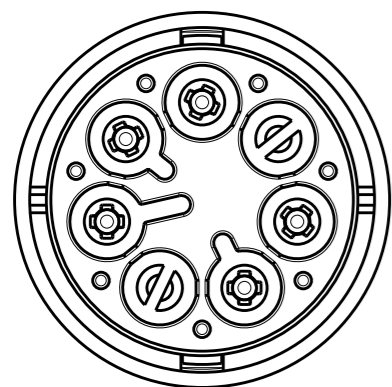
PN 0-293695-1

PN 0-293695-2

PN 0-293695-3

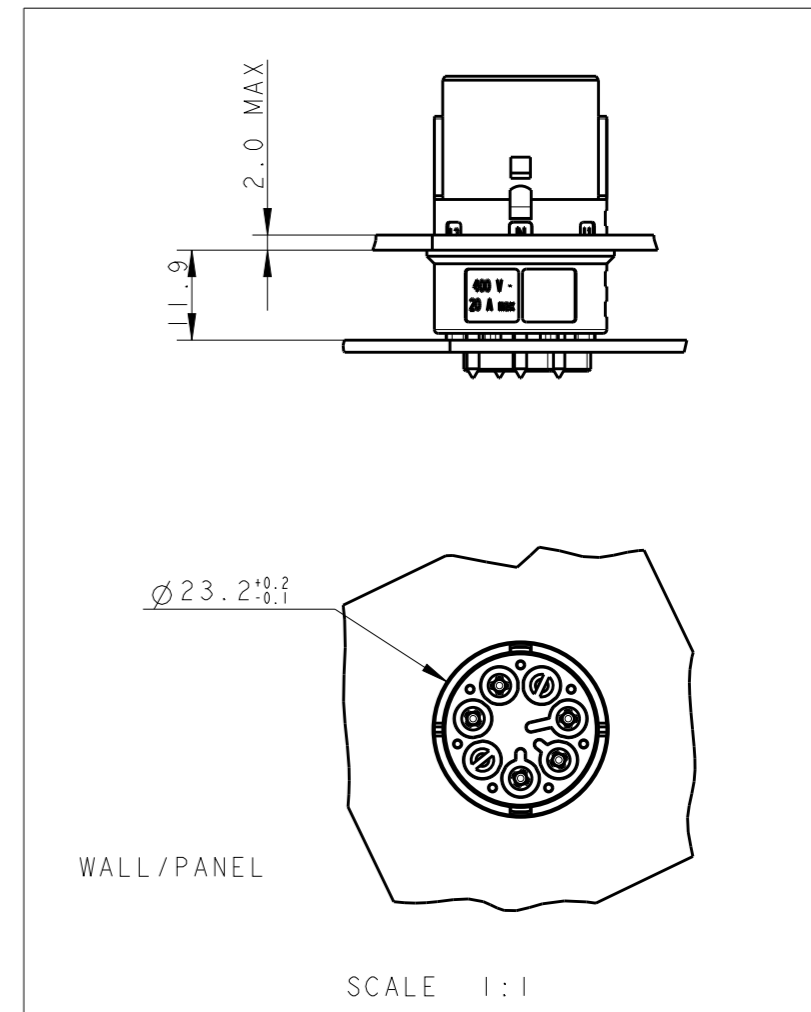
POLARIZATION TYPE "D"

POLARIZATION TYPE "E"



PN ~~0-293695-4~~

PN ~~0-293695-5~~



OBSOLETE		E	NATURAL	PIN PCB CONNECTOR NECTOR* M-LINE 5 POLES	A	0-293695-5
		D	NATURAL	PIN PCB CONNECTOR NECTOR* M-LINE 5 POLES	A	0-293695-4
		C	NATURAL	PIN PCB CONNECTOR NECTOR* M-LINE 5 POLES	A	0-293695-3
		B	NATURAL	PIN PCB CONNECTOR NECTOR* M-LINE 5 POLES	A	0-293695-2
		A	NATURAL	PIN PCB CONNECTOR NECTOR* M-LINE 5 POLES	A	0-293695-1
NOTE		POL. KEYING	COLOUR	DESCRIPTION	REV.	PART NUMBER

THIS DRAWING IS A CONTROLLED DOCUMENT.		DWN M. ZUCCA 04APR2011	TE Connectivity	
DIMENSIONS: mm		CHK M. ZUCCA 04APR2011		
		APVD G. TURCO 04APR2011		
TOLERANCES UNLESS OTHERWISE SPECIFIED:		PRODUCT SPEC	NAME PIN PCB CONNECTOR NECTOR* M-LINE 5 POLES	
0 PLC ±-	1 PLC ±0.3	APPLICATION SPEC	SIZE CAGE CODE DRAWING NO RESTRICTED TO	
2 PLC ±0.20	3 PLC ±-	WEIGHT	A300779 C-293695	
4 PLC ±-	ANGLES ±3°	Customer Drawing	SCALE 2:1	SHEET 2 OF 2
MATERIAL -	FINISH -		REV A1	