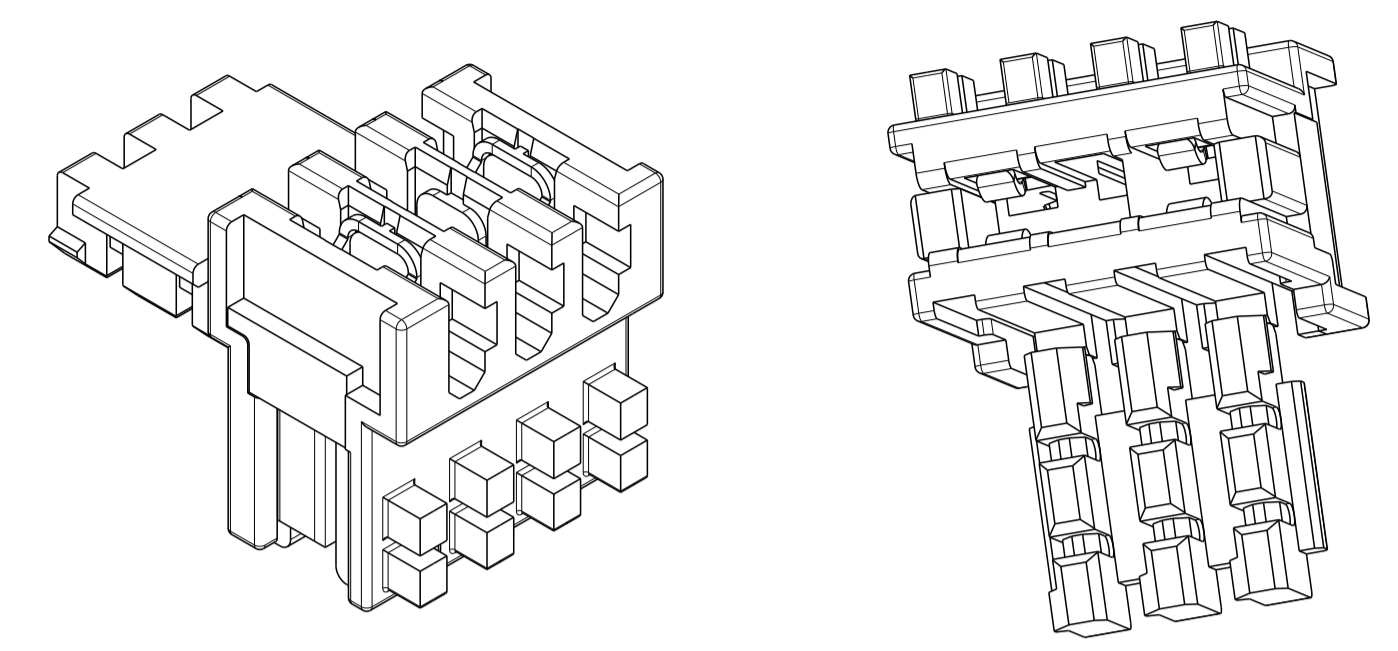
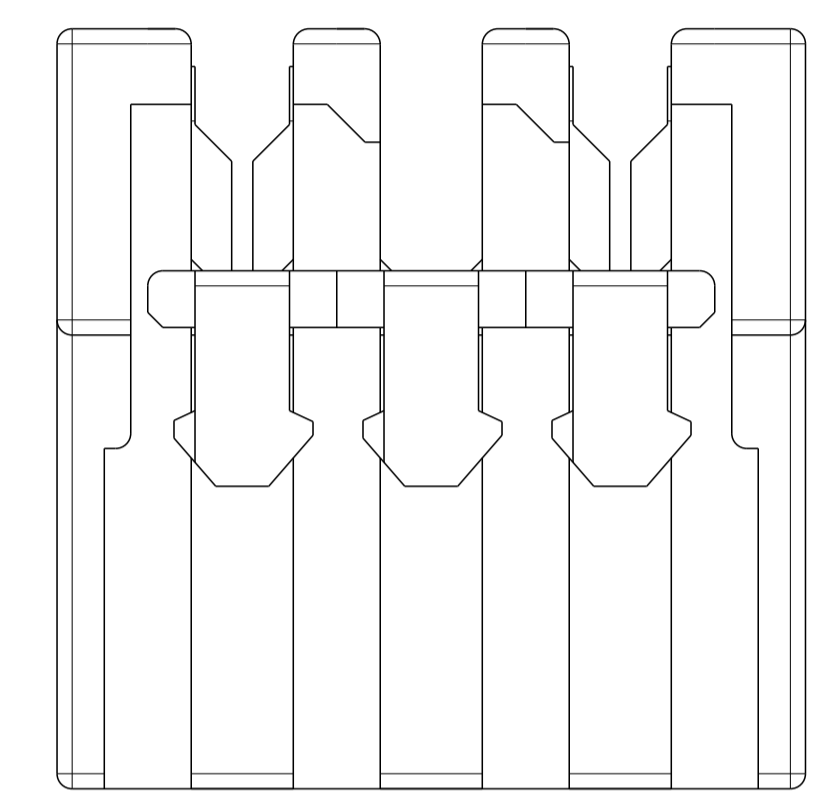
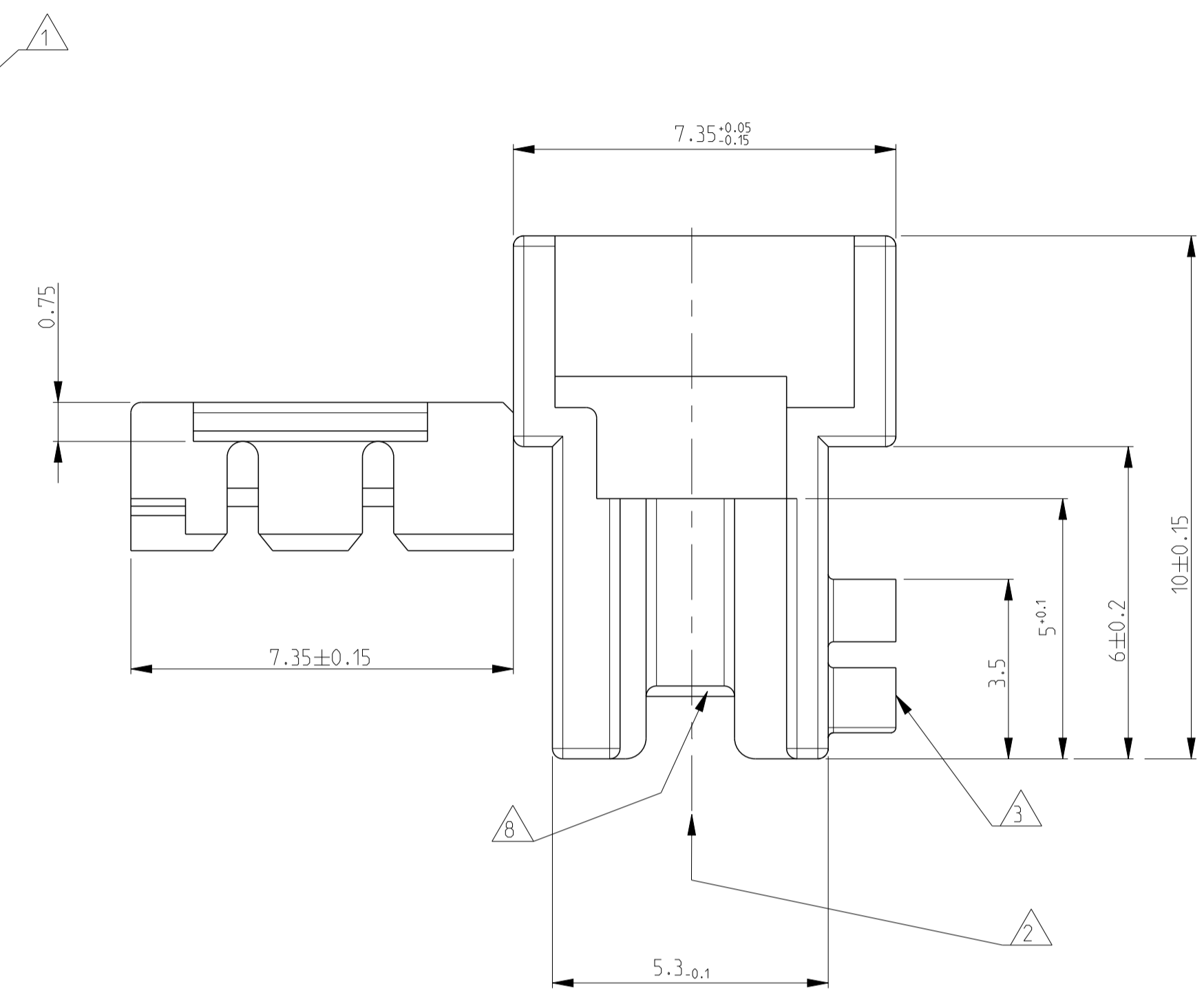
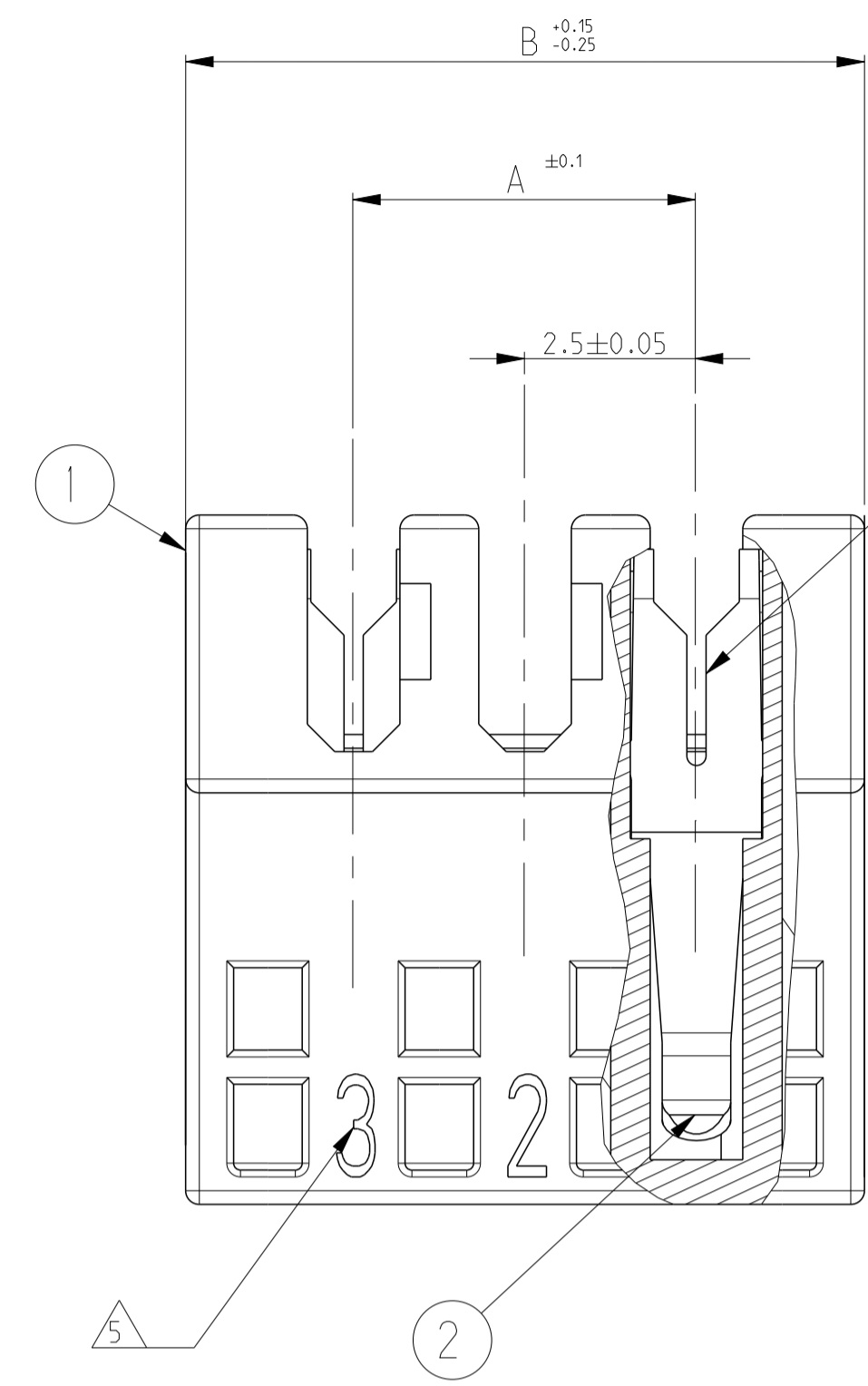
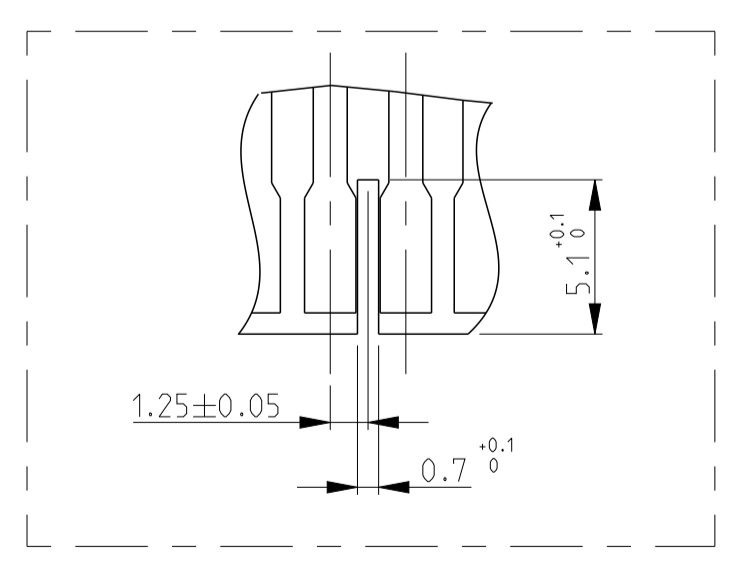
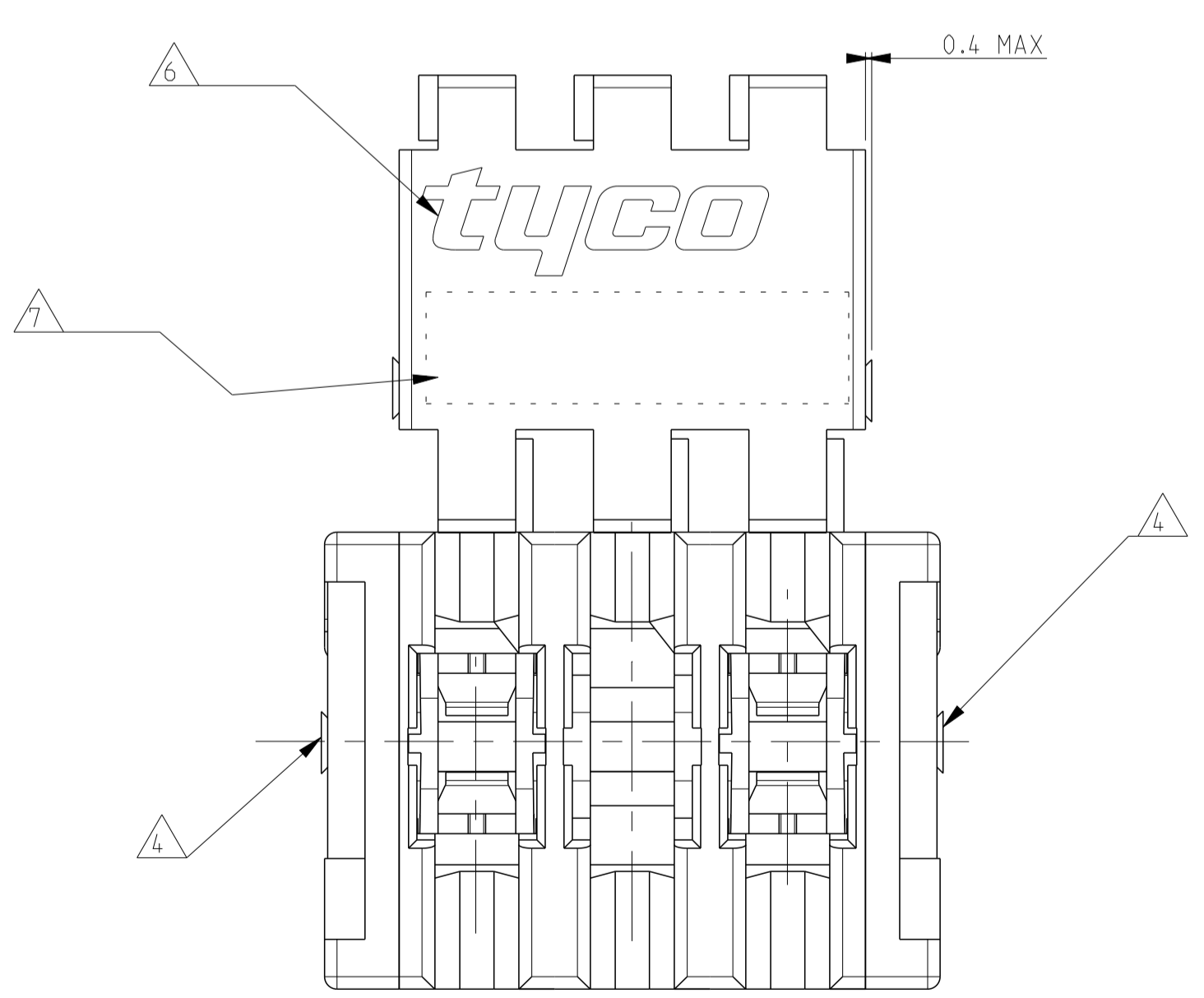


LOC	DIST	REVISIONS					
		P	LTN	DESCRIPTION	DATE	DWN	APVD
A12				ECR-19-003018	12MAR2019	KD	FL
A13				ECR-19-008998	25JUN2019	KD	FL
A14				ECR-19-014835	07OCT2019	KD	FL
B				ECR-19-015552	11NOV2019	KD	FL



P/N 0-293153-3 AS SHOWN
 SCALE 5:1 / 10:1

- 1 WIRE RANGE : STRANDED 0.22-0.35 mm² (INS. DIA. 1.30 ± 0.1)
- 2 MATING PART: PCB FRAME P/N 964575 (PCB THK 1.5 ± 0.14 COPPER CLADDING INCLUDED) SEE PRODUCT SPEC. 108-18056 FOR FRAME APPLICATION
- 3 KEYING RIBS TO BE REMOVED BY TERMINATION MACHINE
- 4 CUT OFF DIMENSION DUE TO PRODUCTION PROCESS
- 5 CIRCUIT No. IDENTIFICATION
- 6 TE TRADEMARK (OPTIONAL POSITION)
- 7 TAMPOGRAPHIC COLOUR CODE AREA (P/Ns IDENTIFICATION BEFORE CRIMPING)
- 8 POLARIZATION RIB BETWEEN CAVITIES. (SEE BELOW TYPICAL POLARIZATION CUTOFF ON PCB)
- 9 PRELIMINARY PART NOT RELEASED FOR PRODUCTION.
- 10 PBT GF
- 11 PBT GF. GWEPT 750 NO-FLAME. NATURAL



9	COLOUR	SELECTIVELY	CONTACT	POLARIZ.	HSG	DIM.A	DIM.B	TE P/N	TE P/N
	CODE		LOADING	RIB POS.	POS.				
9	GREEN	SELECTIVELY 1.3.5.7.9	1/2	9	20.0	24.9	/	7-2311505-9	
	-	SELECTIVELY 1.4.7.8.9	2/3	9	20.0	24.9	2-293153-9	/	
	BLUE	SELECTIVELY 1.2.4.5.6.7.8.9	2/3	9	20.0	24.9	1-293153-9	6-2311505-9	
	BLACK	SELECTIVELY 1.3.4.6.8.9					0-293153-9	5-2311505-9	
9	RED	SELECTIVELY 1.2.3.7.8	1/2	8	17.5	22.4	0-293153-8	2-2311505-8	
9	BLACK	SELECTIVELY 1.3.5.6.7	2/3	7	15.0	19.9	1-293153-7	/	
	BLACK	SELECTIVELY 1.4.5.6.7	2/3	7	15.0	19.9	0-293153-7	6-2311505-7	
	BLACK	SELECTIVELY 1.3.4.6	1/2	6	12.5	17.4	2-293153-6	6-2311505-6	
	RED	SELECTIVELY 1.3.4.6	2/3	6	12.5	17.4	1-293153-6	5-2311505-6	
	BLACK	SELECTIVELY 1.2	1/2	6	12.5	17.4	0-293153-6	4-2311505-6	
	BLACK	SELECTIVELY 3.4	3/4	4	7.5	12.4	0-293153-4	2311505-4	
	BLACK	SELECTIVELY 1.3	1/2	3	5.0	9.9	0-293153-3	8-2311505-3	

SEE TABLE	PH. BRONZE, TIN PLATED	IDC RECEPTACLE CONTACT	2	DIMENSIONS: mm	TOLERANCES UNLESS OTHERWISE SPECIFIED: 0 PLC ± 0.2 1 PLC ± 0.2 2 PLC ± 0.2 3 PLC ± 0.2 4 PLC ± 0.2 ANGLES ± °
Q.TY	PBT GLASS FIBER FILLED	FEMALE HOUSING	1		
1	MATERIAL	DESCRIPTION	ITEM	MATERIAL	FINISH
REVISIONE DELL'ASSEMBLATO (REVISION OF EACH ASSY NO)			ELENCO DEI COMPONENTI (PARTS LIST)		

THIS DRAWING IS A CONTROLLED DOCUMENT.		DWN: C. CORDALO 28NOV2005	TE Connectivity NAME: DUOPLUG 2.5 FEMALE CONNECTOR STANDARD VERSION, KEYED (SELECTIVELY LOADED) SIZE: 116-18049-1 WEIGHT: -
PH. BRONZE, TIN PLATED		CHK: G. TURCO 28NOV2005	
PBT GLASS FIBER FILLED		APVD: G. TURCO 28NOV2005	SCALE: 10:1
MATERIAL		PRODUCT SPEC: 108-18056	SHEET 1 OF 1
DESCRIPTION		APPLICATION SPEC: 116-18049-1	REV B
ITEM		CAGE CODE: 116-18049-1	
FINISH		DRAWING NO: 00779	
FINISH		DRAWING NO: 00779	
FINISH		DRAWING NO: 00779	