

4

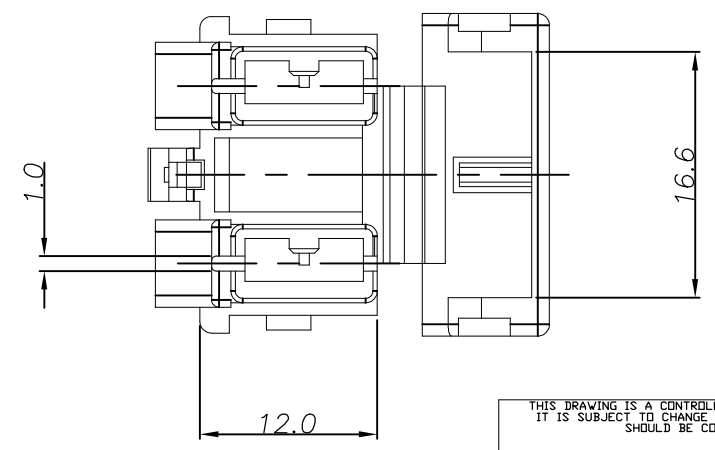
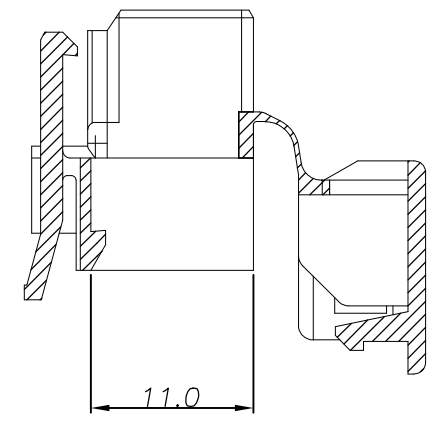
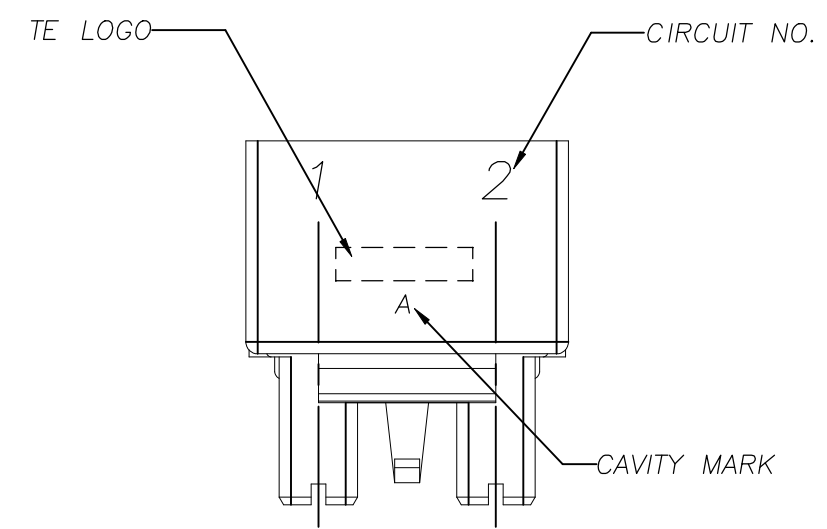
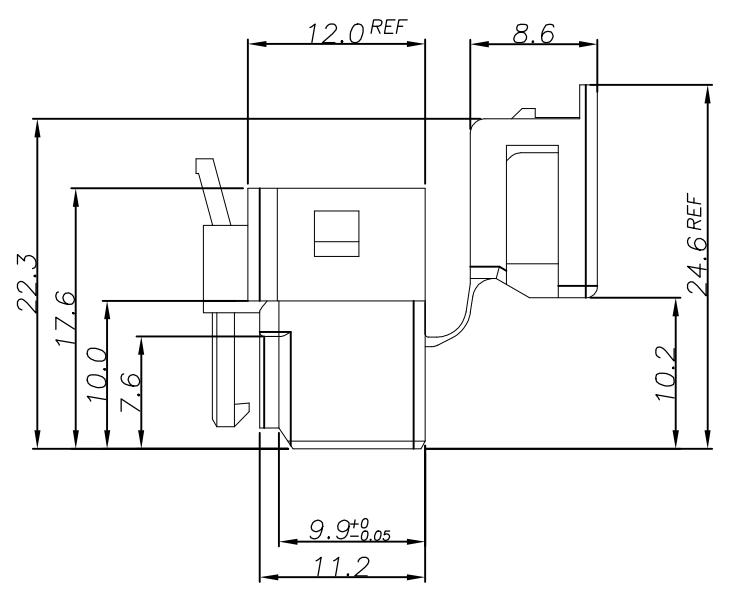
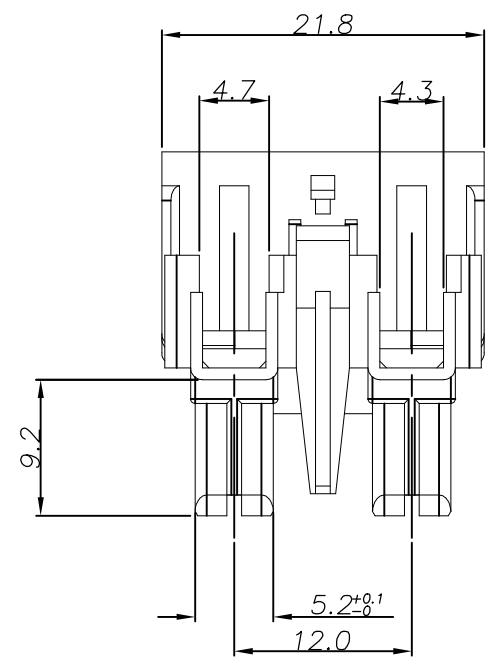
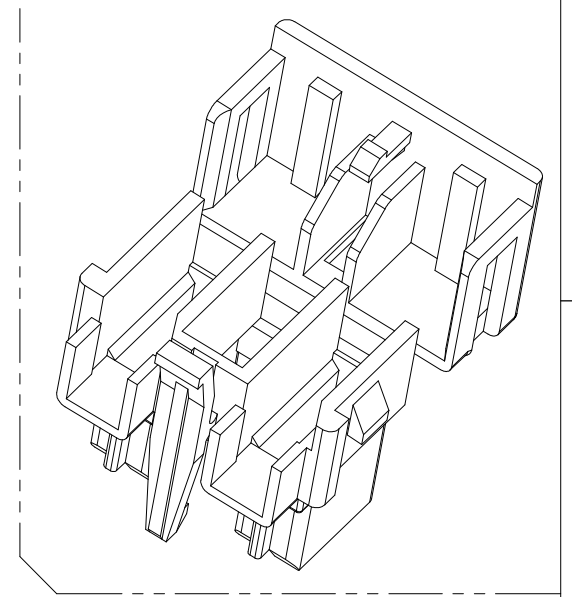
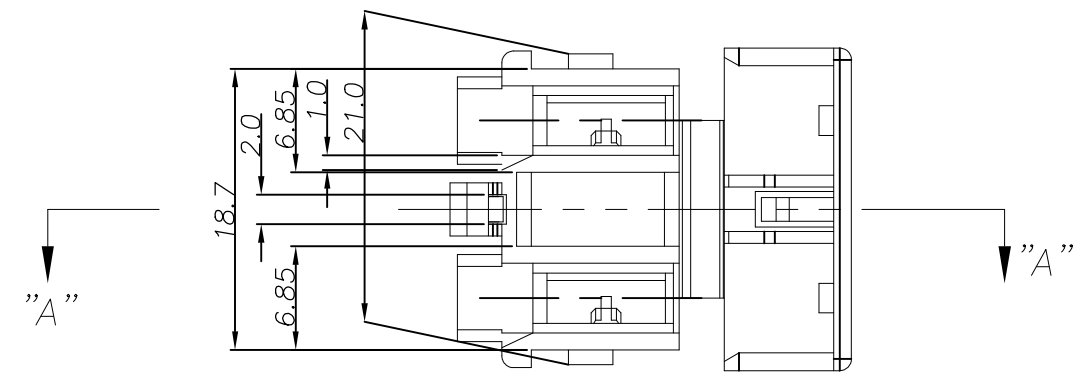
3

2

1

THIS DRAWING IS UNPUBLISHED. RELEASED FOR PUBLICATION  
© COPYRIGHT BY TYCO ELECTRONICS CORPORATION. ALL RIGHTS RESERVED.

LOC	DIST	REVISIONS					
DS	-	P	LTR	DESCRIPTION	DATE	DWN	APVD
		F		REVISED ( ECR-18-002235 )	FEB. 20'18	BH	RP



NOTES  
1. APPLICABLE CONTACT P/N : 1743221-1

1-1743165-8	6/6 NYLON(GWT)	BLUE
1-1743165-5	6/6 NYLON(GWT)	YELLOW
1-1743165-2	6/6 NYLON(GWT)	BLACK
1-1743165-1	6/6 NYLON(GWT)	NATURAL
1743165-8	6/6 NYLON	BLUE
1743165-5	6/6 NYLON	YELLOW
1743165-2	6/6 NYLON	BLACK
1743165-1	6/6 NYLON	NATURAL
P/N	MATERIAL	COLOR

<small>THIS DRAWING IS A CONTROLLED DOCUMENT FOR TYCO ELECTRONICS CORPORATION IT IS SUBJECT TO CHANGE AND THE CONTROLLING ENGINEERING ORGANIZATION SHOULD BE CONTACTED FOR THE LATEST REVISION.</small>		DWN : BH CHO CHK : - APVD : BW KANG PRODUCT SPEC 108-61065 APPLICATION SPEC - WEIGHT - CUSTOMER DRAWING		<b>Tyco Electronics</b> AMP KOREA, Kyungsan, Korea NAME 250 FLAG P/LOCK-EX (Pitch=12mm) 2P WITH LOCK TYPE SIZE CAGE CODE DRAWING NO RESTRICTED TO A3 00779 C- 1743165 - SCALE 2/1 SHEET 1 OF 1 REV F	
DIMENSIONS: MM 	TOLERANCES UNLESS OTHERWISE SPECIFIED: 0 <XX<10 ± 0.2 10<XX<30 ± 0.25 30<XX ± 0.3 ANGLES ± 3°	MATERIAL SEE TABLE	FINISH -		