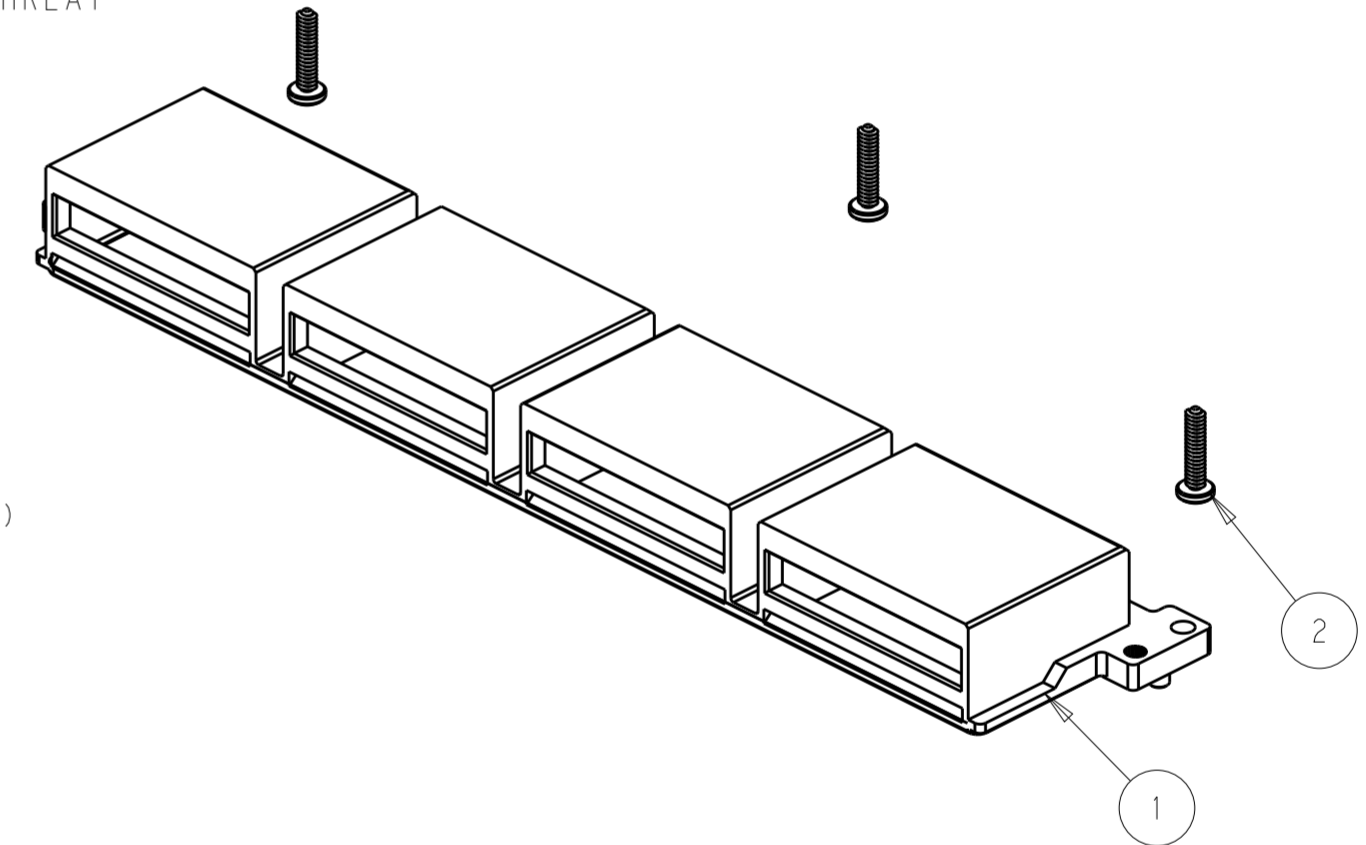
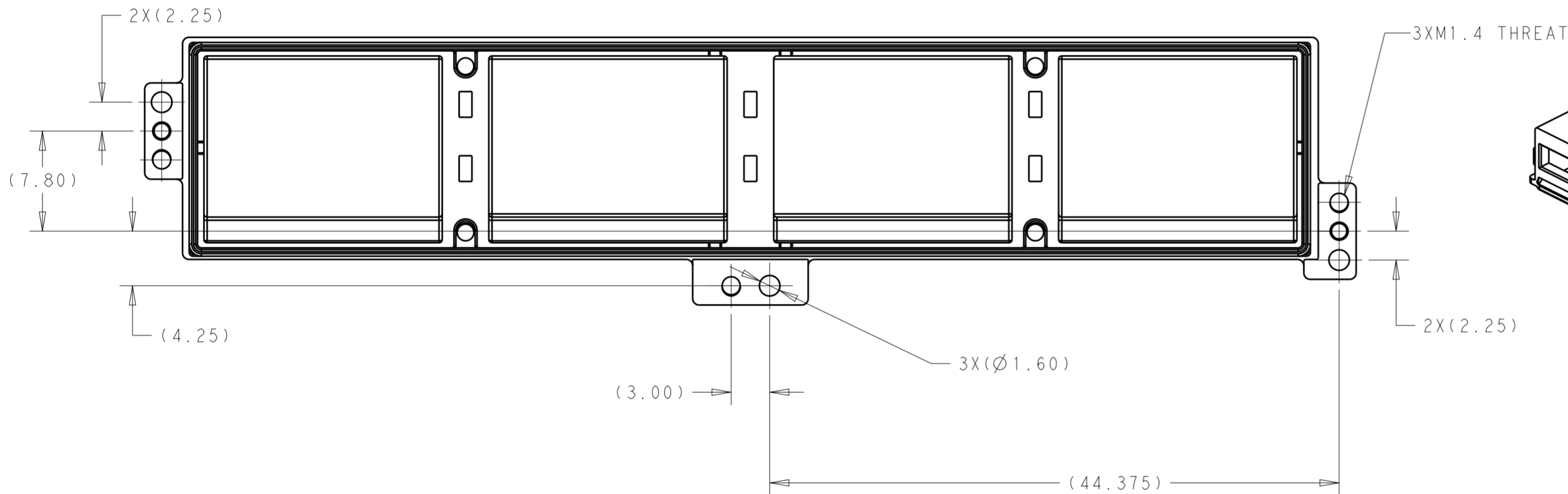
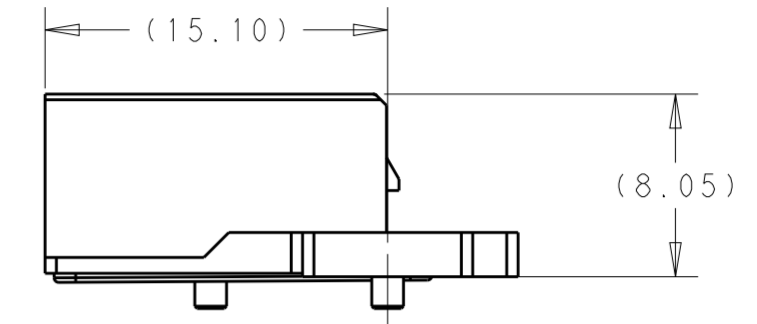
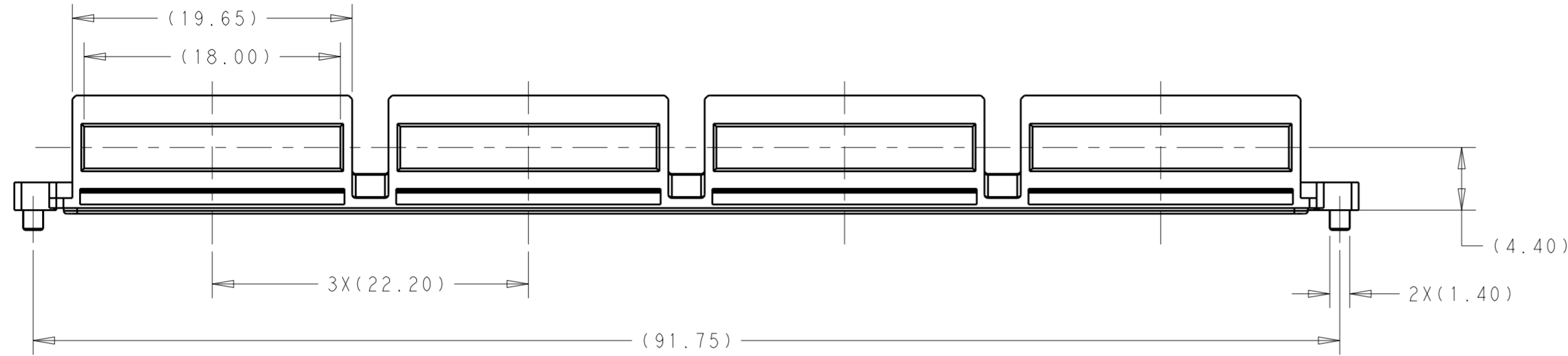


THIS DRAWING IS UNPUBLISHED. RELEASED FOR PUBLICATION 20  
 © COPYRIGHT 20 BY - ALL RIGHTS RESERVED.

REVISIONS				
P	LTR	DESCRIPTION	DATE	APVD
1		PRELIMINARY DRAWING	25MAY2016	AD SH



- 1. MATERIAL : RECEPTAL COVER-ZNIC ALLOY  
 GASKET:SILICON  
 SCREW:STAINLESS STEEL
- 2.PLATING: RECEPTAL COVER-1.27µm MIN NICKEL OVER COPPER PLATING
- 3.MATE WIHT MSA COMPLIANT TRANSCEIVER
- 4.PACKAGE AS SEPARAOTR KITS IN ONE BOX

THIS PRINT IS  
**PRELIMINARY**  
 UNQUALIFIED PRODUCT  
 CONTACT PRODUCT ENGINEERING  
 BEFORE USING THIS PRINT

3	2292789-1	M1.4X6 SCREW	2
1	2289498-1	RECEPTAL COVER WIHT GASKET	1
-1	PART NUMBER	DESCRIPTION	ITEM

DIMENSIONS:		TOLERANCES UNLESS OTHERWISE SPECIFIED:		DWN		25MAY2016	
mm		0 PLC	±	ANDY XIF	25MAY2016	SEAN HAN	25MAY2016
		1 PLC	±0.25	CHK	25MAY2016	SEAN HAN	25MAY2016
		2 PLC	±0.15	APVD	25MAY2016	SEAN HAN	25MAY2016
		3 PLC	±0.10	NAME	RECEPTAL COVER WITH SCREW	CFP4 1X4	
		4 PLC	±	PRODUCT SPEC	-		
		ANGLES	±	APPLICATION SPEC	-		
		FINISH	-	WEIGHT	-	SIZE	A2
MATERIAL	-		-	CUSTOMER DRAWING		CAGE CODE	-
			-			DRAWING NO	2304456
			-			RESTRICTED TO	-
			-			SCALE	1:1
			-			SHEET	1 OF 1
			-			REV	1