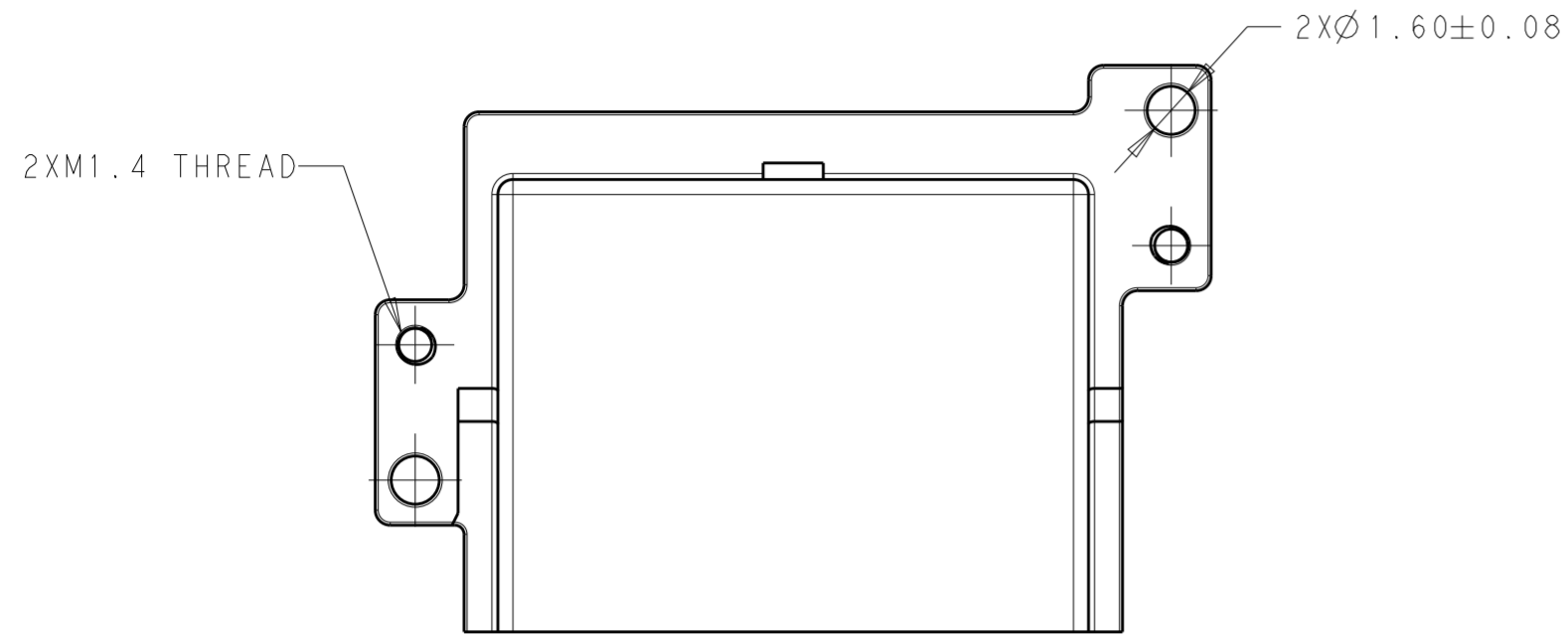
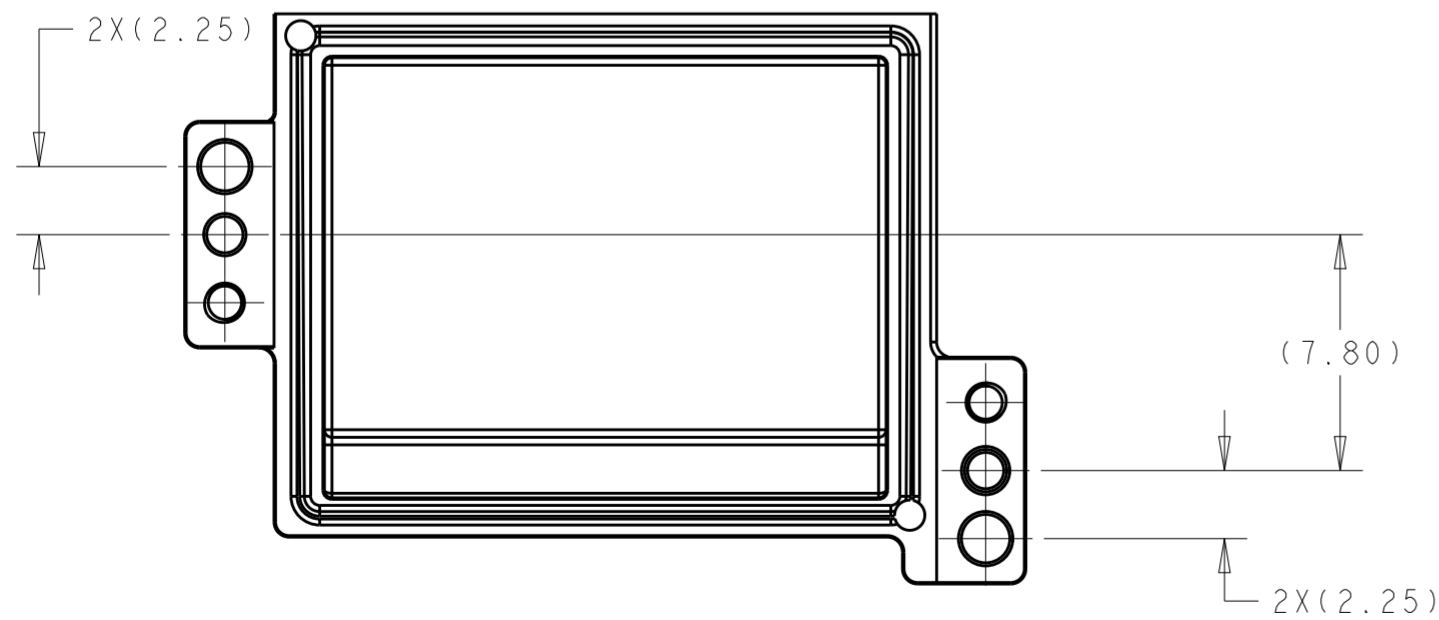
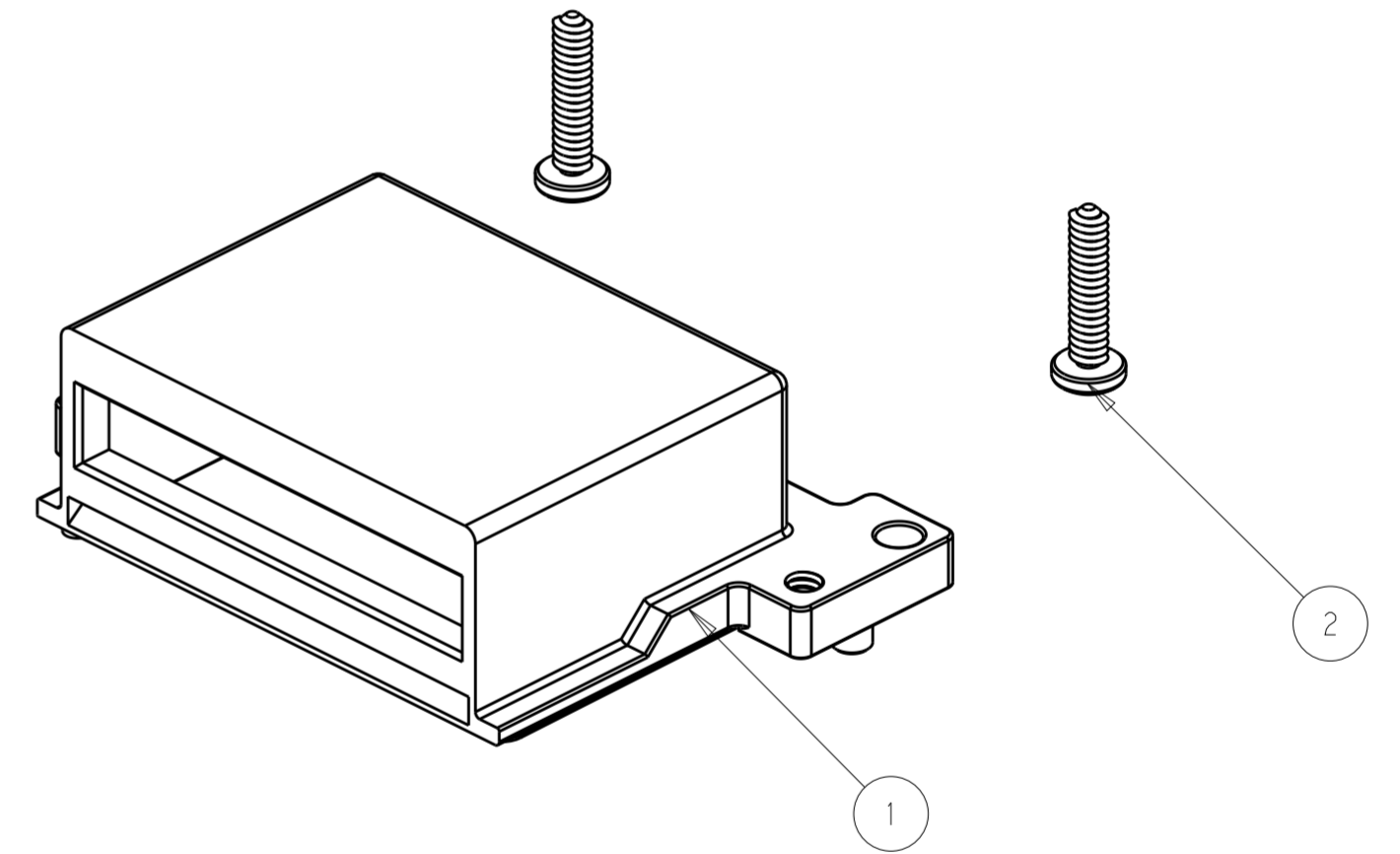
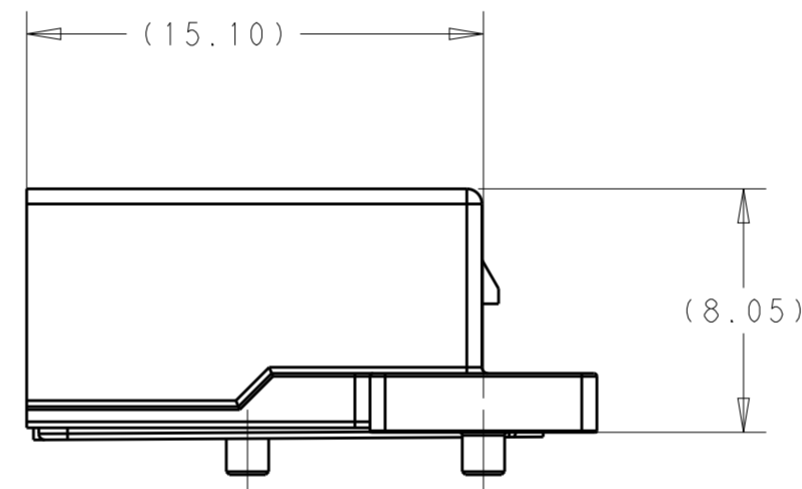
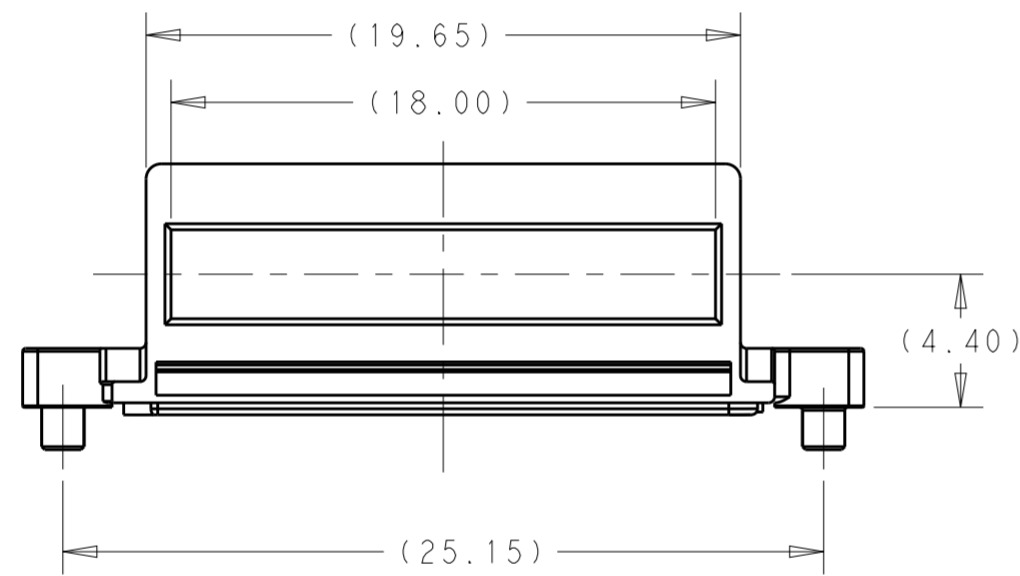


THIS DRAWING IS UNPUBLISHED. RELEASED FOR PUBLICATION 20  
 © COPYRIGHT 20 BY - ALL RIGHTS RESERVED.

REVISIONS				
P	LTR	DESCRIPTION	DATE	APVD
1		PRELIMINARY DRAWING	24MAY2016	AD SH



- 1.MATERIAL:RECEPTACLE COVER:ZNIC ALLOY  
GASKET: SILICON  
SCREW:STAINLESS STEEL
- 2.PLATING: RECEPTACLE COVER:1.27um MIN. NICKEL OVER COPPER PLATING
- 3.MATES WITH MSA COMPLIANT TRANSCEIVERS.
- 4.PACKAGED AS SEPARATED KITS IN ONE BOX .



THIS PRINT IS  
**PRELIMINARY**  
 UNQUALIFIED PRODUCT  
 CONTACT PRODUCT ENGINEERING  
 BEFORE USING THIS PRINT

2	2292789-1	M1.4X6 SCREW	2
1	2288228-1	RECEPTACLE COVER WITH GASKET	1
-1	PART/MATERIAL	DESCRIPTION	ITEM

THIS DRAWING IS A CONTROLLED DOCUMENT.		DWN ANDY.XIF 24MAY2016														
DIMENSIONS: mm		CHK SEAN.HAN 24MAY2016														
TOLERANCES UNLESS OTHERWISE SPECIFIED:		APVD SEAN.HAN 24MAY2016														
<table border="1"> <tr><td>0 PLC</td><td>±</td></tr> <tr><td>1 PLC</td><td>±0.25</td></tr> <tr><td>2 PLC</td><td>±0.15</td></tr> <tr><td>3 PLC</td><td>±0.10</td></tr> <tr><td>4 PLC</td><td>±</td></tr> <tr><td>ANGLES</td><td>±</td></tr> <tr><td>FINISH</td><td>±</td></tr> </table>		0 PLC			±	1 PLC	±0.25	2 PLC	±0.15	3 PLC	±0.10	4 PLC	±	ANGLES	±	FINISH
0 PLC	±															
1 PLC	±0.25															
2 PLC	±0.15															
3 PLC	±0.10															
4 PLC	±															
ANGLES	±															
FINISH	±															
MATERIAL	-	PRODUCT SPEC -	SIZE A2	CAGE CODE -	DRAWING NO. C-2304455	RESTRICTED TO -										
CUSTOMER DRAWING		WEIGHT -	SCALE 1:1	SHEET 1	OF 1	REV 1										