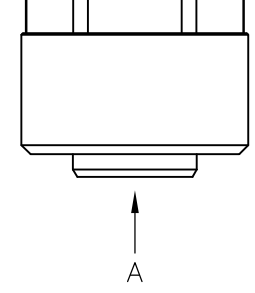
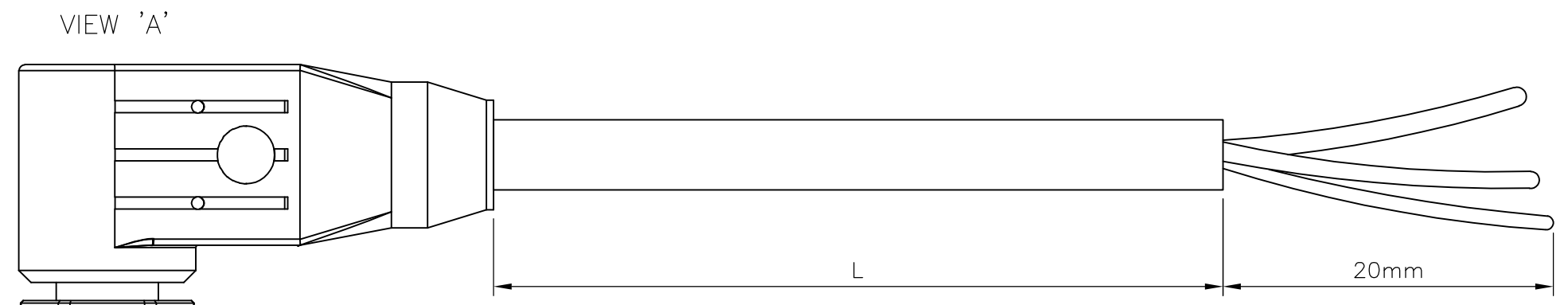
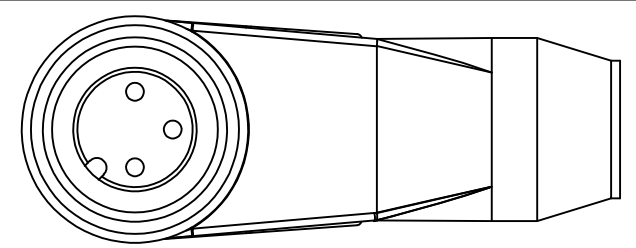


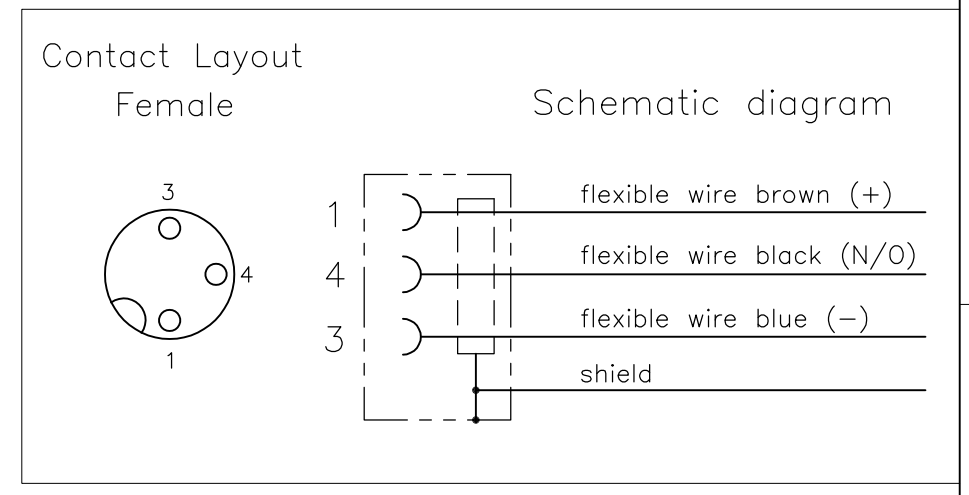
THIS DRAWING IS UNPUBLISHED. RELEASED FOR PUBLICATION
 © COPYRIGHT - By - ALL RIGHTS RESERVED.

P	LTR	DESCRIPTION	DATE	DWN	APVD
	A	INITIAL RELEASE	26NOV2013	GSK	BvH
	A1	ECR-14-015049	13OCT2014	GSK	BvH
	A2	ECR-16-003945	16MAR2016	GSK	BvH

NOTES:
 Tolerances cable lengths:
 0m to 0.5m +30mm
 0.5m to 1.0m +50mm
 1.0m to 3.0m +100mm
 < 3.0m +1.5%



PVC CABLE	
No./diameter of wires	3 x 0.34 mm ²
Wire isolation	PVC (br, bl, bk)
C-track properties	
Jacket	PVC (UL/CSA)
Outer diameter	approx. 5.9 mm
Bend radius (moving)	15 x outer diameter
Temperature range (fixed)	-40...+80 °C
Temperature range (mobile)	-5...+80 °C



TECHNICAL DATA	
Operating voltage	max. 60 V AC/DC
Operating current per contact	max. 4 A
Locking of ports	Screw thread M12 x 1 mm (recommended torque 0.6 Nm) self-securing
Protection	IP65 and IP67 when plugged and screwed down (EN 60529)

LENGTH "L"	MATERIAL	JACKET COLOR	TE PN	DESCRIPTION	ITEM
3 pos	PVC	Grey	1-2273097-4	3x22AWG PVC 10.0m	8
			1-2273097-3	3x22AWG PVC 5.0m	7
			1-2273097-2	3x22AWG PVC 3.0m	6
3 pos	PUR	Grey	1-2273097-1	3x22AWG PVC 1.5m	5
			2273097-4	3x22AWG PUR 10.0m	4
			2273097-3	3x22AWG PUR 5.0m	3
			2273097-2	3x22AWG PUR 3.0m	2
			2273097-1	3x22AWG PUR 1.5m	1

PUR CABLE	
No./diameter of wires	3 x 0.34 mm ²
Wire isolation	PVC (br, bl, bk)
C-track properties	
Jacket	PUR/PVC (UL/CSA)
Outer diameter	approx. 5.9 mm
Bend radius (moving)	15 x outer diameter
Temperature range (fixed)	-30...+80 °C
Temperature range (mobile)	-5...+70 °C

THIS DRAWING IS A CONTROLLED DOCUMENT.

DIMENSIONS: mm

TOLERANCES UNLESS OTHERWISE SPECIFIED:

0 PLC	± -
1 PLC	± -
2 PLC	± -
3 PLC	± -
4 PLC	± -
ANGLES	± -
FINISH	± -

MATERIAL: -

APVD: SATHISH KUMAR.G (26NOV2013), B.VELDHOVEN (26NOV2013), A.VAN ZANDVOORT (26NOV2013)

NAME: M12 X 1.0 ANGLED SOCKET PIGT SHLD A

PRODUCT SPEC: 108-19483

APPLICATION SPEC: 114-32127

STE TE Connectivity

SIZE: A3, CAGE CODE: 00779, DRAWING NO: C-2273097, RESTRICTED TO: -

CUSTOMER DRAWING, SCALE: NTS, SHEET: 1 OF 1, REV: A2