

4

3

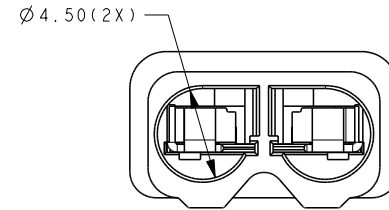
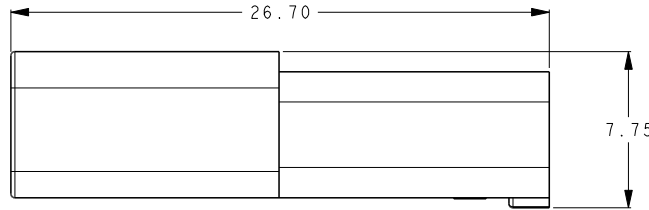
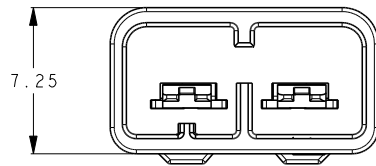
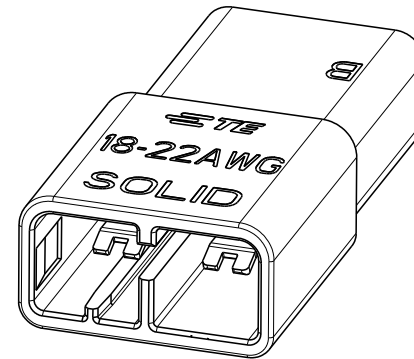
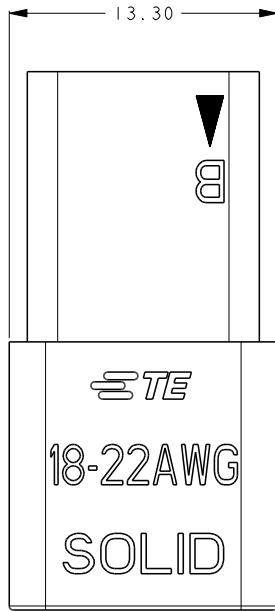
2

1

THIS DRAWING IS UNPUBLISHED. RELEASED FOR PUBLICATION 20

© COPYRIGHT 20 ALL RIGHTS RESERVED.

LOC		DIST		REVISIONS			
P	LTR	DESCRIPTION		DATE	DWN	APVD	
	A5	ADD PN		13OCT2015	M.S	X.X	
	B	ECR-16-007582		01JUN2016	M.S	X.X	
	C	ECR-18-020006		03APR2019	M.S	M.S	
	CI	ECR-19-013399		26DEC2019	F.F	M.S	



PART NUMBER	PART COLOR
2271183-1	ORANGE

NOTES:

- 1. TE PART NUMBER: SEE TABLE.
- 2. MATERIAL
- 3. TERMINAL: COPPER ALLOY.
- 4. HOUSING: NYLON, UL 94-V0. COLOR: ORANGE.
- 5. FINISH
- 6. TERMINAL: TIN PLATING OVERALL.
- 7. APPLICABLE WIRE: AWG18-22 SOLID OR TIN DIPPED STRANDED. (16 STRANDS MAX. FOR 18 AWG; 7 STRANDS MAX FOR 20-22 AWG. SEE RELATED APPLICATION SPECIFICATION AND PRODUCT SPECIFICATION)
- 8. STRIP LENGTH: 9.0-9.6mm.
- 9. APPLICABLE MATING PLUG: 2271180 SERIES.
- 10. PRODUCT COMPLIES TO UL 2459 REQUIREMENT AND QUALIFIED: ZMNA.E308110 ; ZMNA7.E308110

THIS DRAWING IS A CONTROLLED DOCUMENT.		DWN	26DEC2019	STC TE Connectivity			
		CHK	FRANK FAN				
		APVD	GEORGE FU				
		NAME	MING SHI				
DIMENSIONS:		TOLERANCES UNLESS OTHERWISE SPECIFIED:		2 PINS WIRE TO WIRE CONNECTOR RECEPTACLE			
mm		± 0.5					
		0-PLC ±					
		1-PLC ±					
		2-PLC ±					
		3-PLC ±					
MATERIAL		FINISH		SIZE	CAGE CODE	DRAWING NO	RESTRICTED TO
				114-137020	A300779	C-2271183	-
				WEIGHT	SCALE 4:1 SHEET 1 OF 3 REV CI		
				1.82 g			
				CUSTOMER DRAWING			

4

3

2

1

THIS DRAWING IS UNPUBLISHED.

RELEASED FOR PUBLICATION

20

© COPYRIGHT 20

ALL RIGHTS RESERVED.

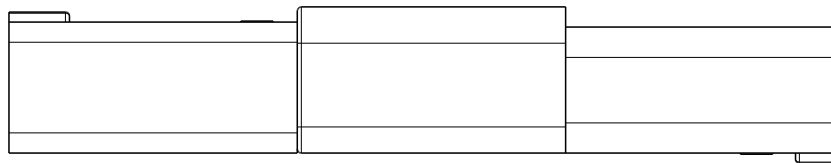
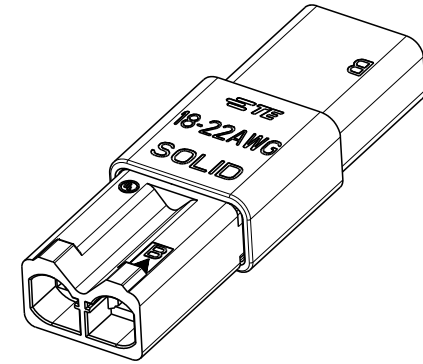
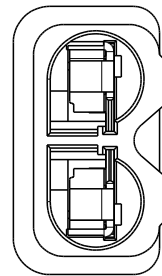
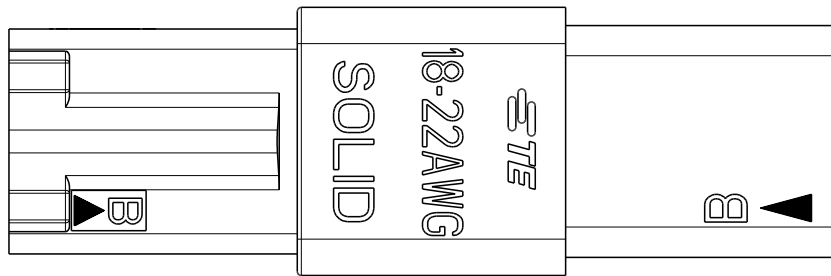
LOC
ES

DIST

REVISIONS

P	LTR	DESCRIPTION	DATE	DWN	APVD

MATED WITH PLUG



THIS DRAWING IS A CONTROLLED DOCUMENT.

DIMENSIONS:

mm



MATERIAL

TOLERANCES UNLESS OTHERWISE SPECIFIED:
± 0.5

- 0-PLC ±
- 1-PLC ±
- 2-PLC ±
- 3-PLC ±
- 4-PLC ±
- ANGLES ±5°
- FINISH

DWN 26DEC2019

FRANK FAN

CHK 26DEC2019

GEORGE FU

APVD 26DEC2019

MING SHI

PRODUCT SPEC

APPLICATION SPEC

WEIGHT

CUSTOMER DRAWING



TE Connectivity

NAME
2 PINS WIRE TO WIRE CONNECTOR RECEPTACLE

SIZE	CAGE CODE	DRAWING NO	RESTRICTED TO
A3	00779	C-2271183	-

SCALE 4:1 SHEET 2 OF 3 REV C1

4

3

2

1

THIS DRAWING IS UNPUBLISHED.

RELEASED FOR PUBLICATION

20

ALL RIGHTS RESERVED.

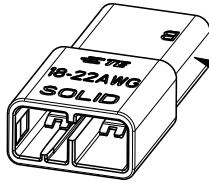
© COPYRIGHT 20

LOC
ES

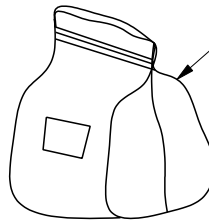
DIST

REVISIONS

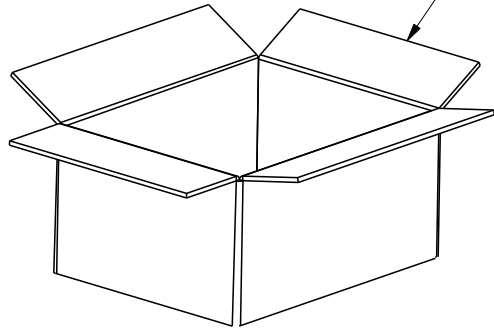
P	LTR	DESCRIPTION	DATE	DWN	APVD



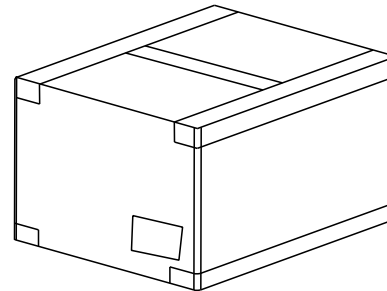
2271183-X



PLASTIC BAG



CARTON



NOTE:
1. PACKAGING QUANTITY: SEE TABLE.

PARTS PER BAG	BAGS PER CARTON	PARTS PER CARTON
500 PCS	8	4000 PCS

THIS DRAWING IS A CONTROLLED DOCUMENT.		DWN	26DEC2019	STE TE Connectivity
		CHK	FRANK FAN 26DEC2019	
		APVD	GEORGE FU 26DEC2019	
		NAME	MING SHI	
DIMENSIONS:	TOLERANCES UNLESS OTHERWISE SPECIFIED:	PRODUCT SPEC	2 PINS WIRE TO WIRE CONNECTOR RECEPTACLE	
mm		APPLICATION SPEC	SIZE	CAGE CODE
	0 PLC ±	-	A3	00779
	1 PLC ±10.0		DRAWING NO	
	2 PLC ±5.0		C-2271183	
	3 PLC ±		RESTRICTED TO	
	4 PLC ±		-	
	ANGLES ±5°			
MATERIAL	FINISH	WEIGHT		
-	-	-		
CUSTOMER DRAWING			SCALE	SHEET
			4:1	3 OF 3
			REV	CI