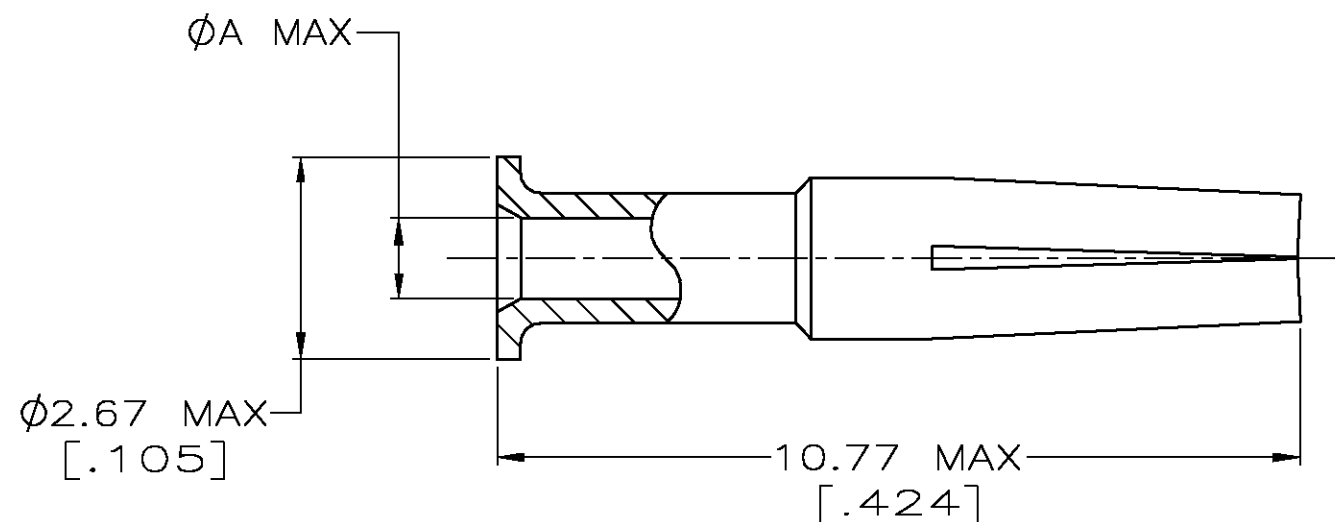


AJ

16

P	LTR	DESCRIPTION	DATE	DWN	APVD
	C	REVISED PER OS14-0355-03.	31DEC03	JGH	JGH



1. BERYLLIUM COPPER PER ASTM-B-197.
- ② GOLD PLATE PER MIL-G-45204, 0.76  $\mu$ m [.000030] MIN THICKNESS.
- ③ SILVER PLATE PER QQ-S-365, 2.54  $\mu$ m [.000100] MIN THICKNESS.
- ④ TIN-LEAD PLATE PER ASTM-B-545, 2.54  $\mu$ m [.000100] MIN THICKNESS.

1.22 [.048]	②	3-221149-6
0.41 [.016]	②	3-221149-1
1.14 [.045]	②	2-221149-6
0.64 [.025]	③	2-221149-1
0.64 [.025]	②	2-221149-0
0.64 [.025]	④	1-221149-9
0.81 [.032]	③	1-221149-4
0.81 [.032]	②	1-221149-3
0.81 [.032]	④	1-221149-2
1.07 [.042]	③	221149-7
1.07 [.042]	②	221149-6
1.07 [.042]	④	221149-5
A	FINISH	PART NUMBER

THIS DRAWING IS A CONTROLLED DOCUMENT.		DWN 12JAN96 MICHAEL E. COWHER	<b>AMP</b> AMP Incorporated Harrisburg, PA 17105-3608
DIMENSIONS: mm [INCHES]		CHK 15JAN96 MICHAEL J. PHILLIPS	
TOLERANCES UNLESS OTHERWISE SPECIFIED:		APVD 15JAN96 MICHAEL J. PHILLIPS	NAME
0 PLC ±-		PRODUCT SPEC	CONTACT, JACK, COMMERCIAL, BNC
1 PLC ±-		APPLICATION SPEC	
2 PLC ±-		WEIGHT	SIZE
3 PLC ±-		CUSTOMER DRAWING	CAGE CODE
4 PLC ±-			DRAWING NO
ANGLES ±-			A3 00779 C-221149
MATERIAL SEE NOTES	FINISH SEE TABLE	SCALE 10:1	SHEET 1 OF 1
		REV C	