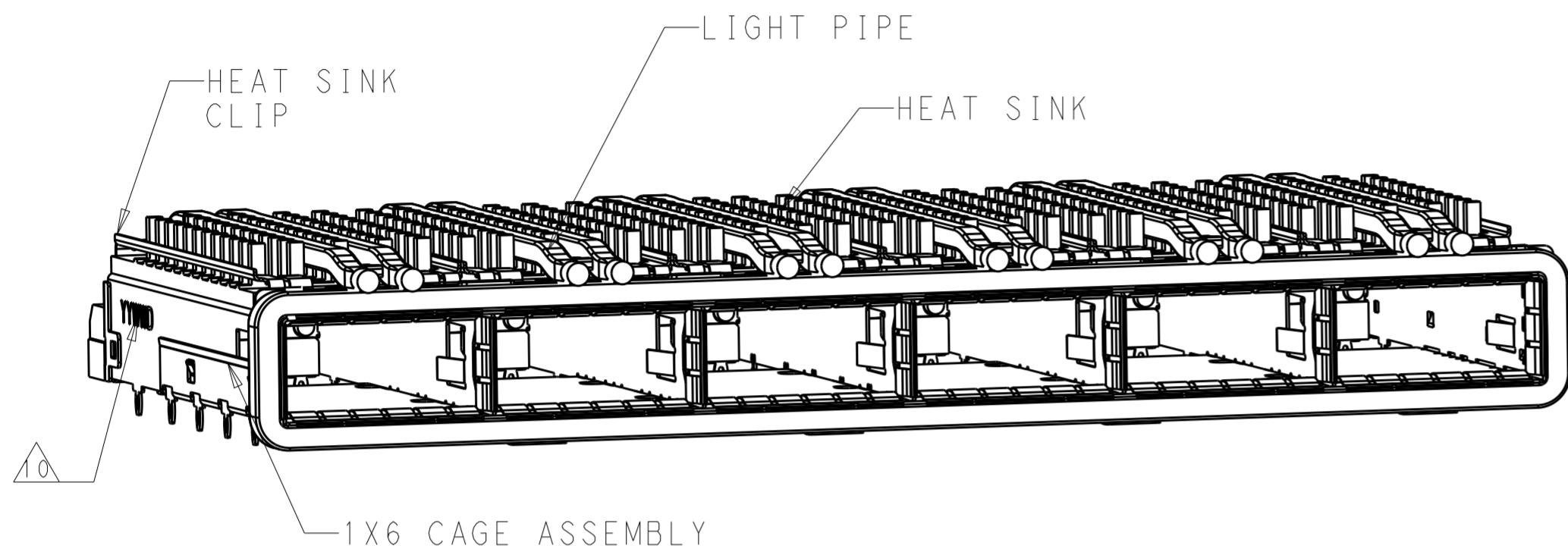


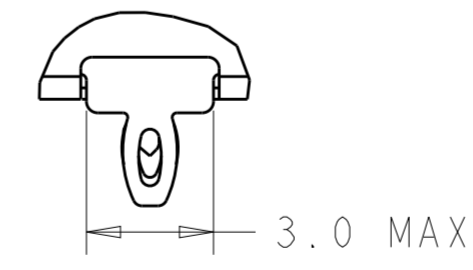
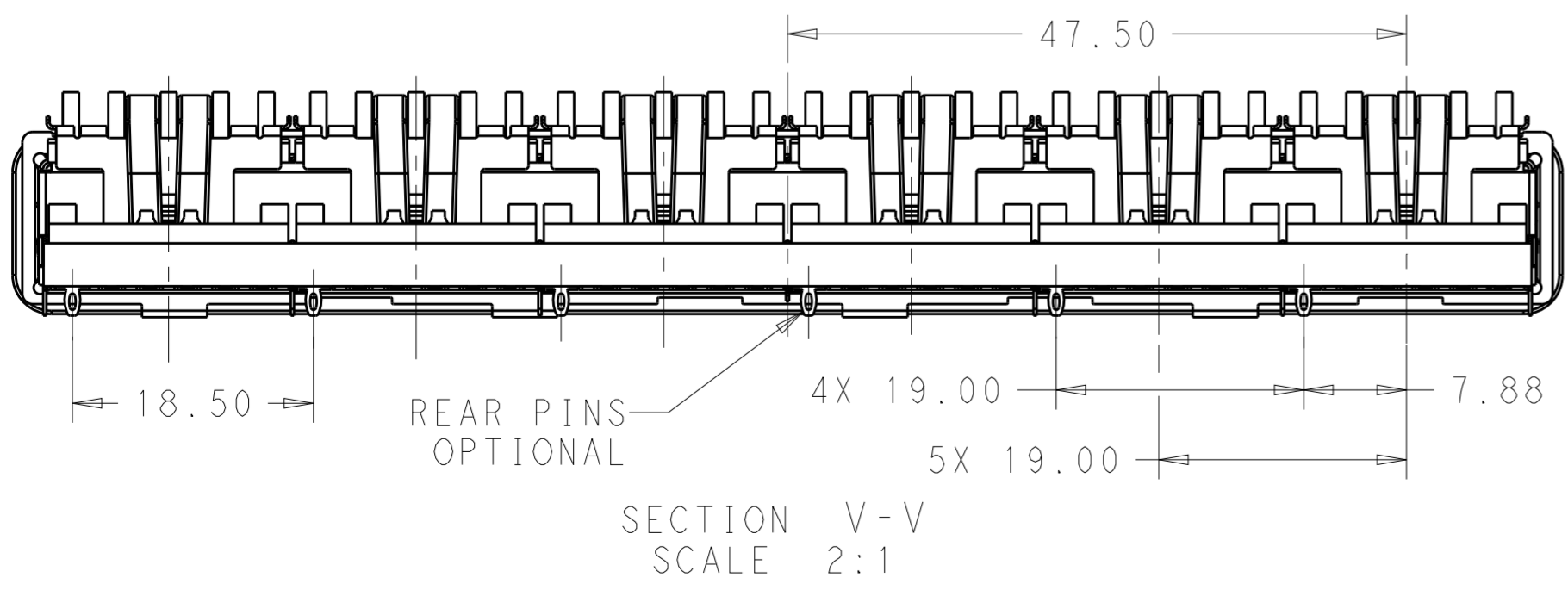
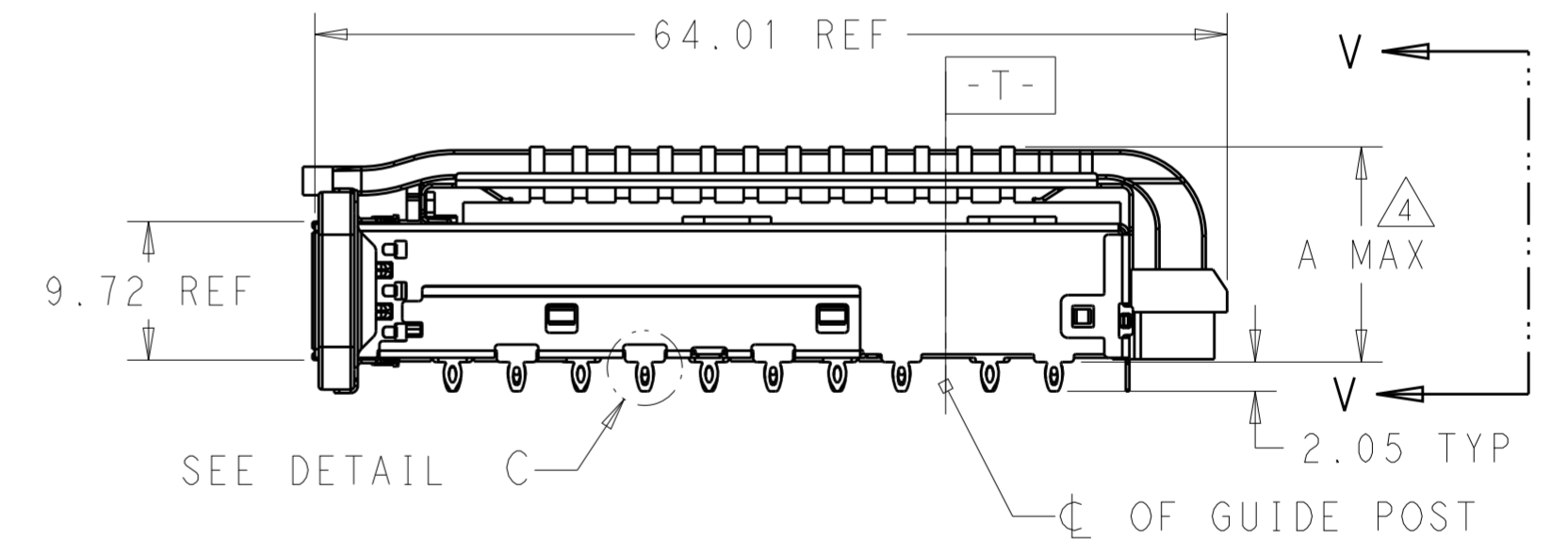
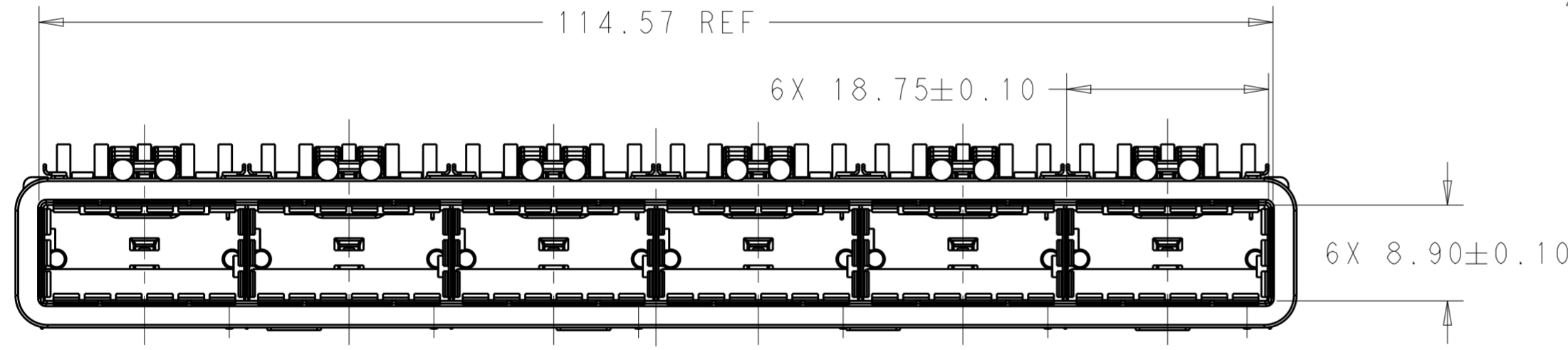
THIS DRAWING IS UNPUBLISHED. RELEASED FOR PUBLICATION 20  
 © COPYRIGHT 20 BY - ALL RIGHTS RESERVED.

REVISIONS				
P	LTR	DESCRIPTION	DATE	APVD
1		PRELIMINARY	24OCT2013	JY

# 2-2170724-2 AS SHOWN



- COMPONENTS  
 CAGE ASSEMBLY: NICKEL-SILVER ALLOY  
 HEAT SINK: ALUMINUM/BLACK ANODIZE  
 HEAT SINK CLIP: STAINLESS STEEL  
 EMI SPRING: COPPER ALLOY/NICKEL PLATE  
 LIGHT PIPE: CLEAR POLYCARBONATE WITH 94 V-0  
 EMI GASKET: PLATED FILLED SILICONE WITH 94 V-0
- REFERENCE APPLICATION SPECIFICATION 114-\*\*\*\*\* FOR RECOMMENDED DRILL HOLE DIAMETER AND PLATING THICKNESS
- DATUM AND BASIC DIMENSION ESTABLISHED BY CUSTOMER
- DIMENSION APPLIES WITH MODULE INSERTED IN CAGE
- HEAT SINKS, HEAT SINK CLIPS AND LIGHT PIPES ARE SHIPPED ASSEMBLED ON CAGE
- MINIMUM PC BOARD THICKNESS: SINGLE SIDED: 1.57 MIN  
DOUBLE SIDED: 3.00 MIN
- DATUM **-A-** IS TOP SURFACE OF THE HOST BOARD.
- THESE HOLES ARE OPTIONAL WHEN THE REAR PINS ARE REMOVED.
- MATES WITH QSFP28 MSA COMPATIBLE TRANSCEIVER.
- DATE CODE (YYWWD) MARKED APPROXIMATELY AS SHOWN.
- NOTED DIMENSIONS ONLY APPLY TO CAGE ASSEMBLY WITH LIGHT PIPE.



DETAIL C  
SCALE 6:1

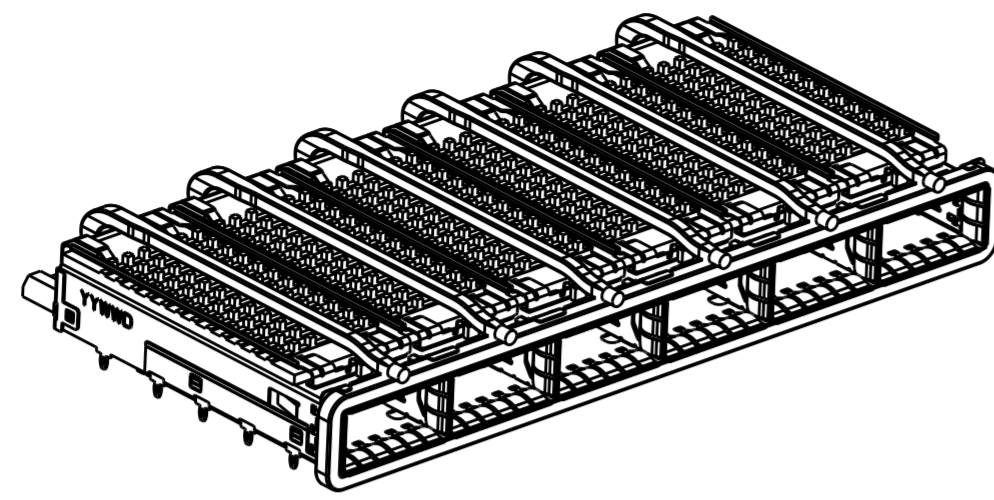
PRELIMINARY PART- NOT RELEASED FOR PRODUCTION

THIS DRAWING IS A CONTROLLED DOCUMENT.		DWN JASON YANG	24OCT2013	<b>PRELIMINARY</b>	
DIMENSIONS: mm		CHK	APVD		
TOLERANCES UNLESS OTHERWISE SPECIFIED:		NAME		CAGE ASSEMBLY, 1X6, QSFP28 WITH HEAT SINKS AND LIGHT PIPES, THRU BEZEL, GASKET	
0 PLC ±	1 PLC ±0.25	PRODUCT SPEC		SIZE	
2 PLC ±0.2	3 PLC ±	APPLICATION SPEC		CAGE CODE	
4 PLC ±	ANGLES ±	WEIGHT		DRAWING NO	
MATERIAL SEE NOTES		Customer Drawing		A200779C-2170724	
FINISH SEE NOTES		SCALE 3:1		SHEET 1 OF 9	
		REV 1			

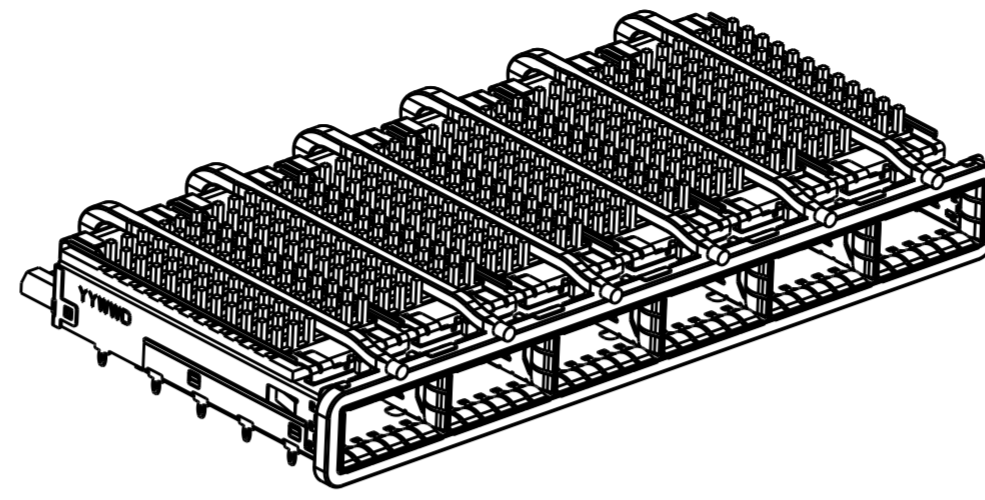
THIS DRAWING IS UNPUBLISHED. RELEASED FOR PUBLICATION 20  
 © COPYRIGHT 20 BY - ALL RIGHTS RESERVED.

REVISIONS					
P	LTR	DESCRIPTION	DATE	DWN	APVD
-		SEE SHEET 1			

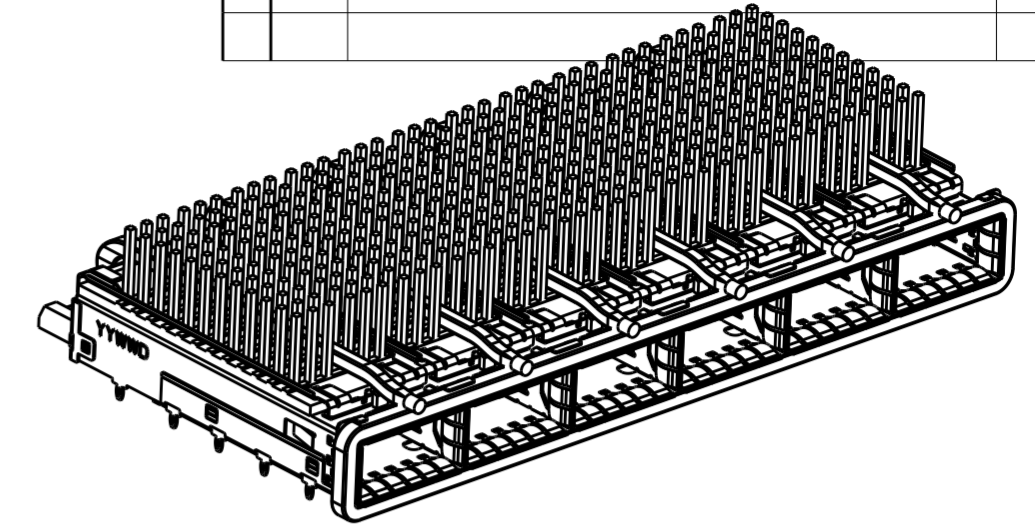
# HEAT SINK OPTION



PCI HEAT SINK  
SCALE 1:1

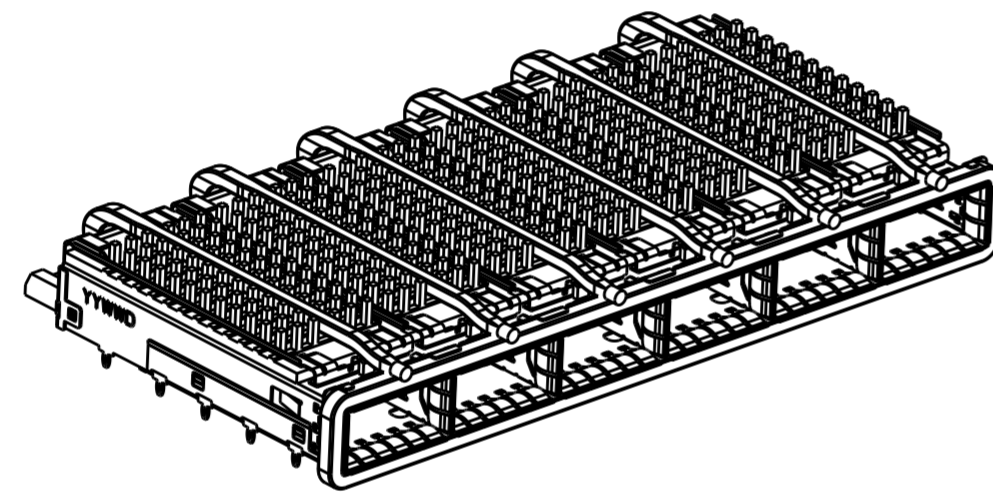


SAN HEAT SINK  
SCALE 1:1

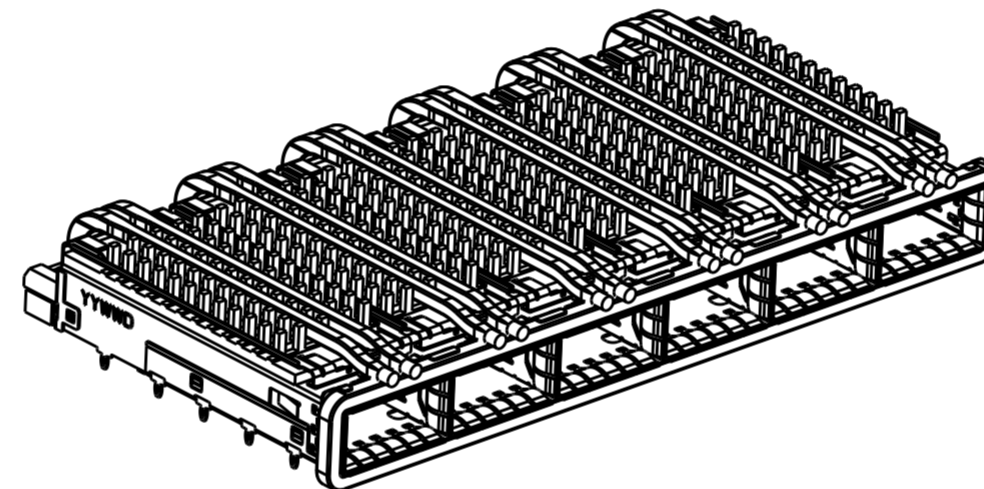


NETWORKING HEAT SINK  
SCALE 1:1

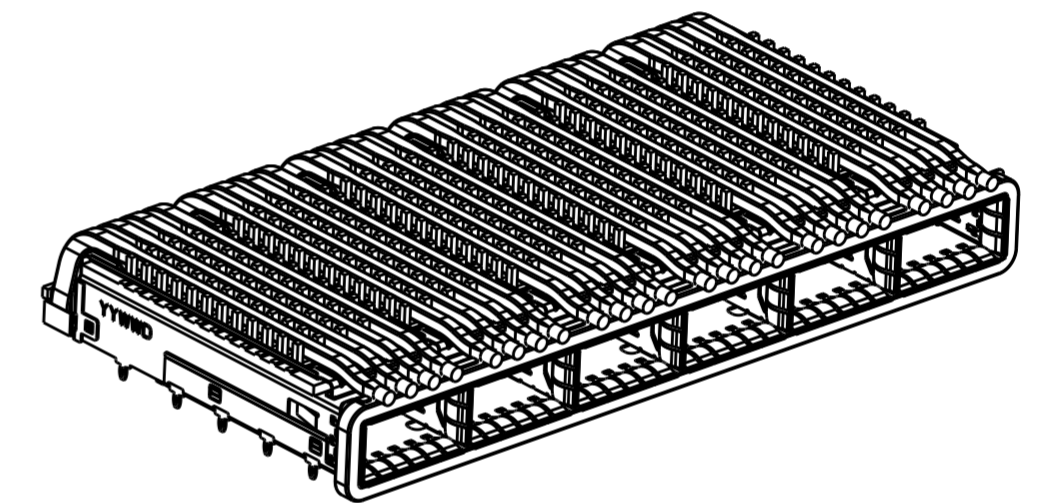
# LIGHT PIPE OPTION



SINGLE LIGHT PIPE  
SCALE 1:1

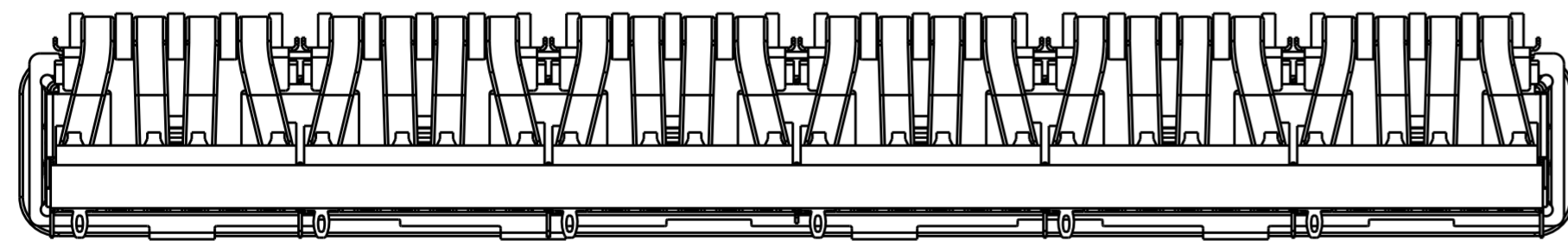


DUAL LIGHT PIPE  
SCALE 1:1

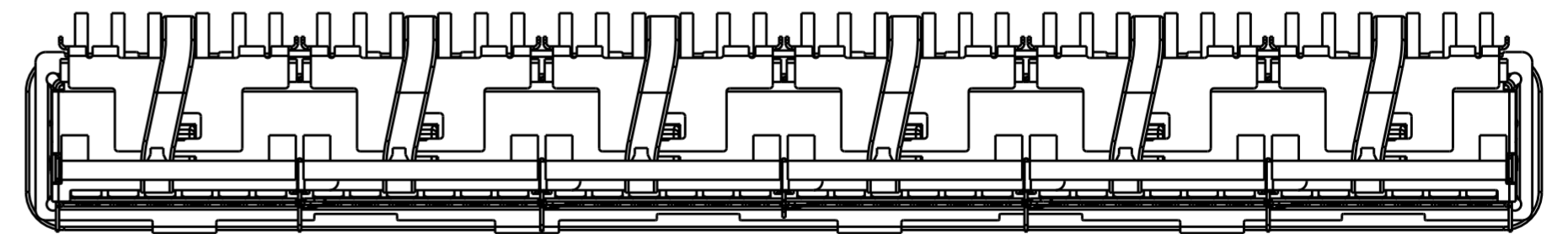


QUAD LIGHT PIPE  
SCALE 1:1

# # OF REAR PIN OPTION



1 REAR PIN  
SCALE 2:1



0 REAR PIN  
SCALE 2:1

THIS DRAWING IS A CONTROLLED DOCUMENT.		DWN 24OCT2013 JASON YANG	TE Connectivity	
DIMENSIONS: mm		CHK -		
TOLERANCES UNLESS OTHERWISE SPECIFIED:		PRODUCT SPEC -	NAME CAGE ASSEMBLY, 1X6, QSFP28 WITH HEAT SINKS AND LIGHT PIPES, THRU BEZEL, GASKET	
0 PLC ±- 1 PLC ±0.25 2 PLC ±0.2 3 PLC ±- 4 PLC ±- ANGLES ±- FINISH ±-		APPLICATION SPEC -	SIZE A2	CAGE CODE 00779
MATERIAL SEE NOTES	SEE NOTES	WEIGHT -	DRAWING NO C-2170724	RESTRICTED TO -
		Customer Drawing	SCALE 3:1	SHEET 2 OF 9 REV 1

THIS DRAWING IS UNPUBLISHED. RELEASED FOR PUBLICATION 20  
 © COPYRIGHT 20 BY - ALL RIGHTS RESERVED.

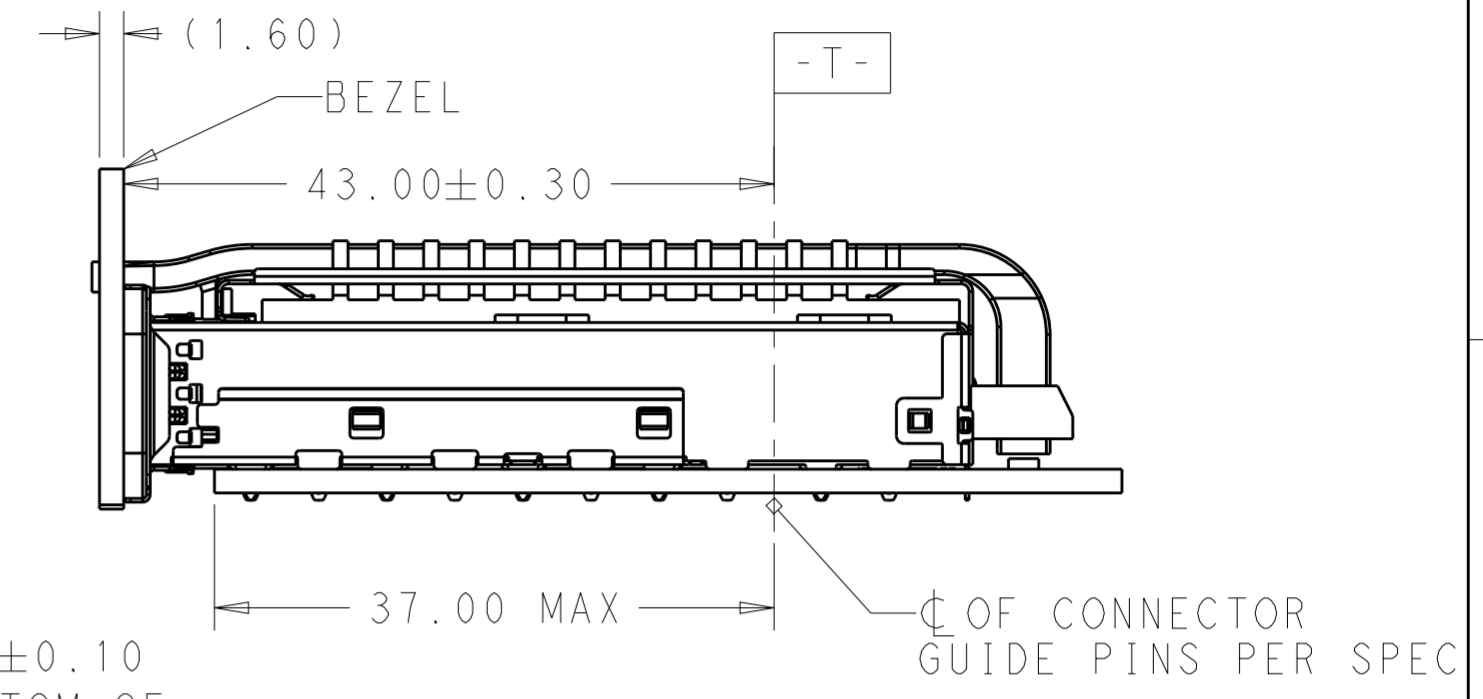
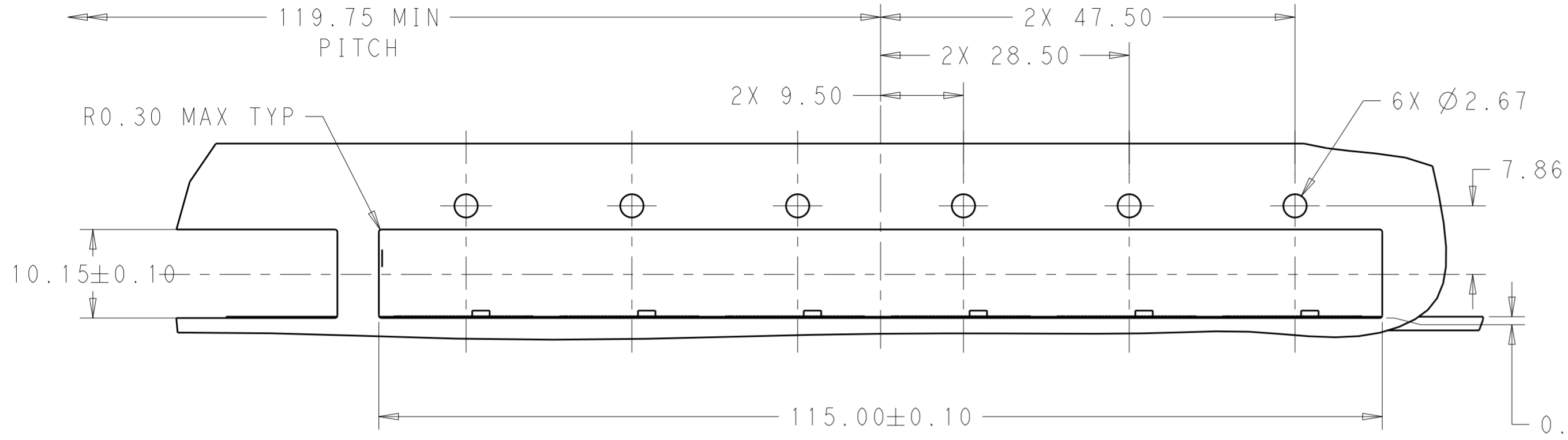
REVISIONS				
P	LTR	DESCRIPTION	DATE	APVD
-		SEE SHEET 1	-	-

0	23.0	NETWORKING	QUAD	4-2170724-6
0	16.0	SAN	QUAD	4-2170724-5
0	13.7	PCI	QUAD	4-2170724-4
1	23.0	NETWORKING	QUAD	4-2170724-3
1	16.0	SAN	QUAD	4-2170724-2
1	13.7	PCI	QUAD	4-2170724-1
0	23.0	NETWORKING	DUAL	2-2170724-6
0	16.0	SAN	DUAL	2-2170724-5
0	13.7	PCI	DUAL	2-2170724-4
1	23.0	NETWORKING	DUAL	2-2170724-3
1	16.0	SAN	DUAL	2-2170724-2
1	13.7	PCI	DUAL	2-2170724-1
0	23.0	NETWORKING	SINGLE	2170724-6
0	16.0	SAN	SINGLE	2170724-5
0	13.7	PCI	SINGLE	2170724-4
1	23.0	NETWORKING	SINGLE	2170724-3
1	16.0	SAN	SINGLE	2170724-2
1	13.7	PCI	SINGLE	2170724-1
# OF REAR PIN	DIM A	APPLICATION	LIGHT PIPE OPTION	PART NUMBER

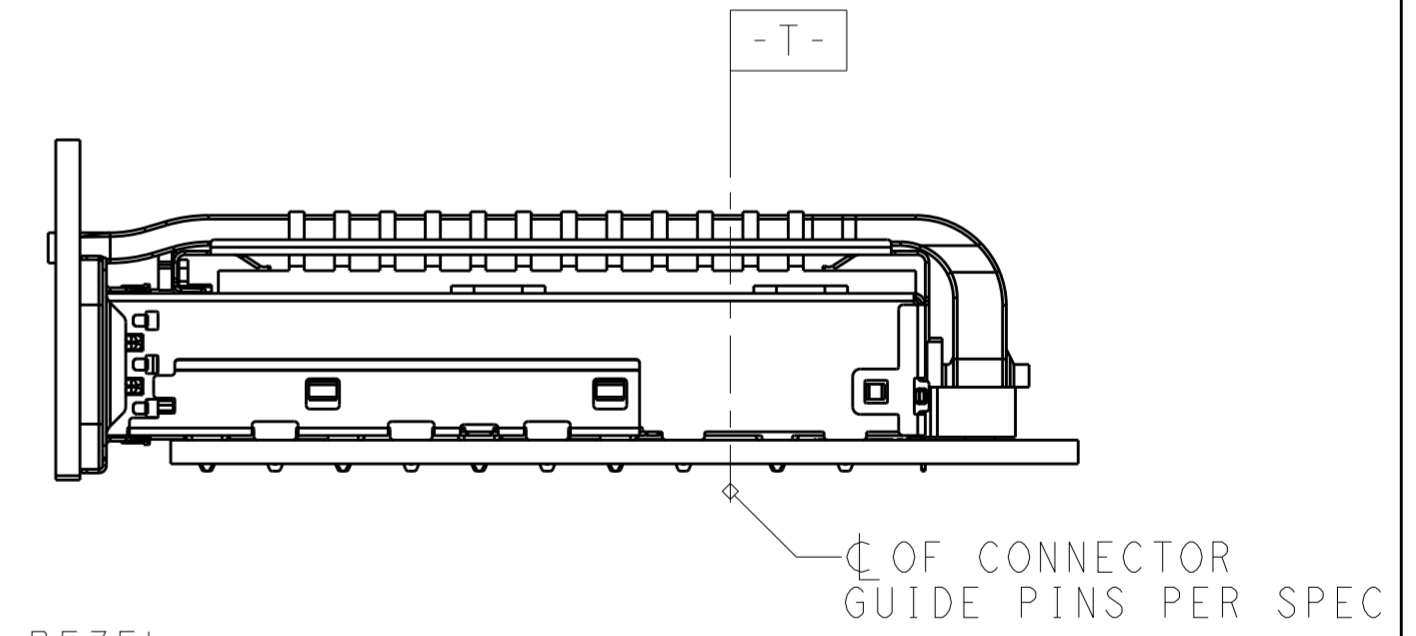
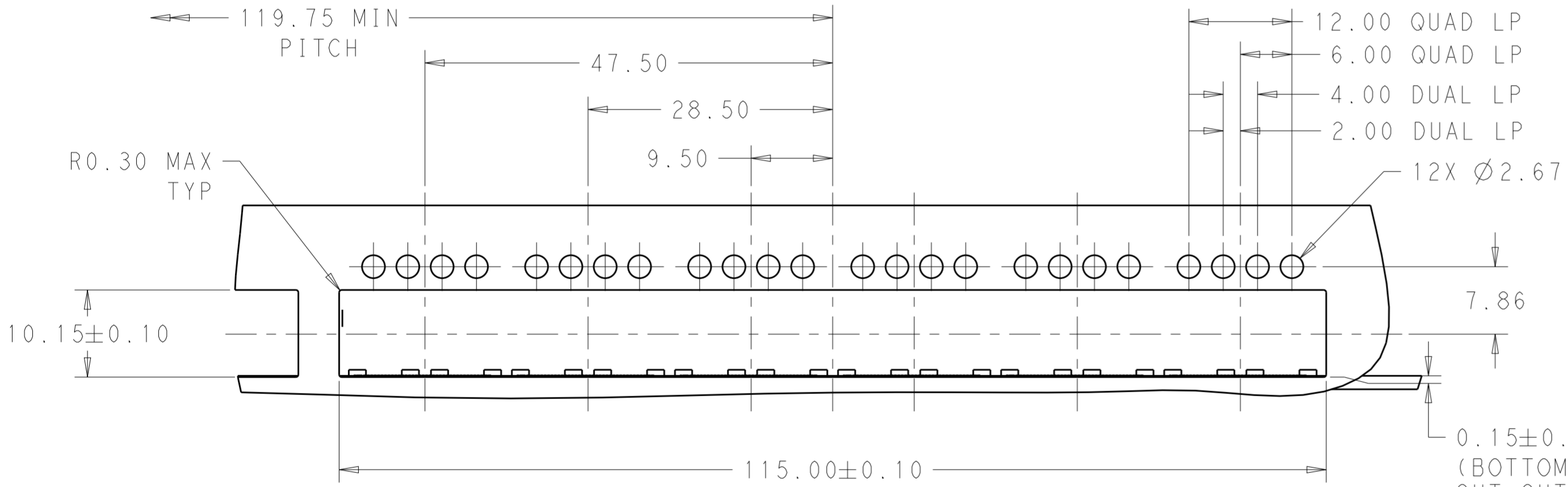
THIS DRAWING IS A CONTROLLED DOCUMENT.		DWN JASON YANG	24OCT2013	<b>STE</b> TE Connectivity	
DIMENSIONS: mm		CHK -	APVD -		
TOLERANCES UNLESS OTHERWISE SPECIFIED: 0 PLC ± 1 PLC ±0.25 2 PLC ±0.2 3 PLC ± 4 PLC ±		PRODUCT SPEC -		RESTRICTED TO -	
MATERIAL SEE NOTES		FINISH SEE NOTES		SIZE A200779	DRAWING NO C-2170724
-		-		SCALE 3:1	SHEET 3 OF 9
-		-		REV 1	

THIS DRAWING IS UNPUBLISHED. RELEASED FOR PUBLICATION 20  
 © COPYRIGHT 20 BY - ALL RIGHTS RESERVED.

REVISIONS				
P	LTR	DESCRIPTION	DATE	APVD
-	-	SEE SHEET 1	-	-



SINGLE SIDE MOUNTING  
SCALE 2:1



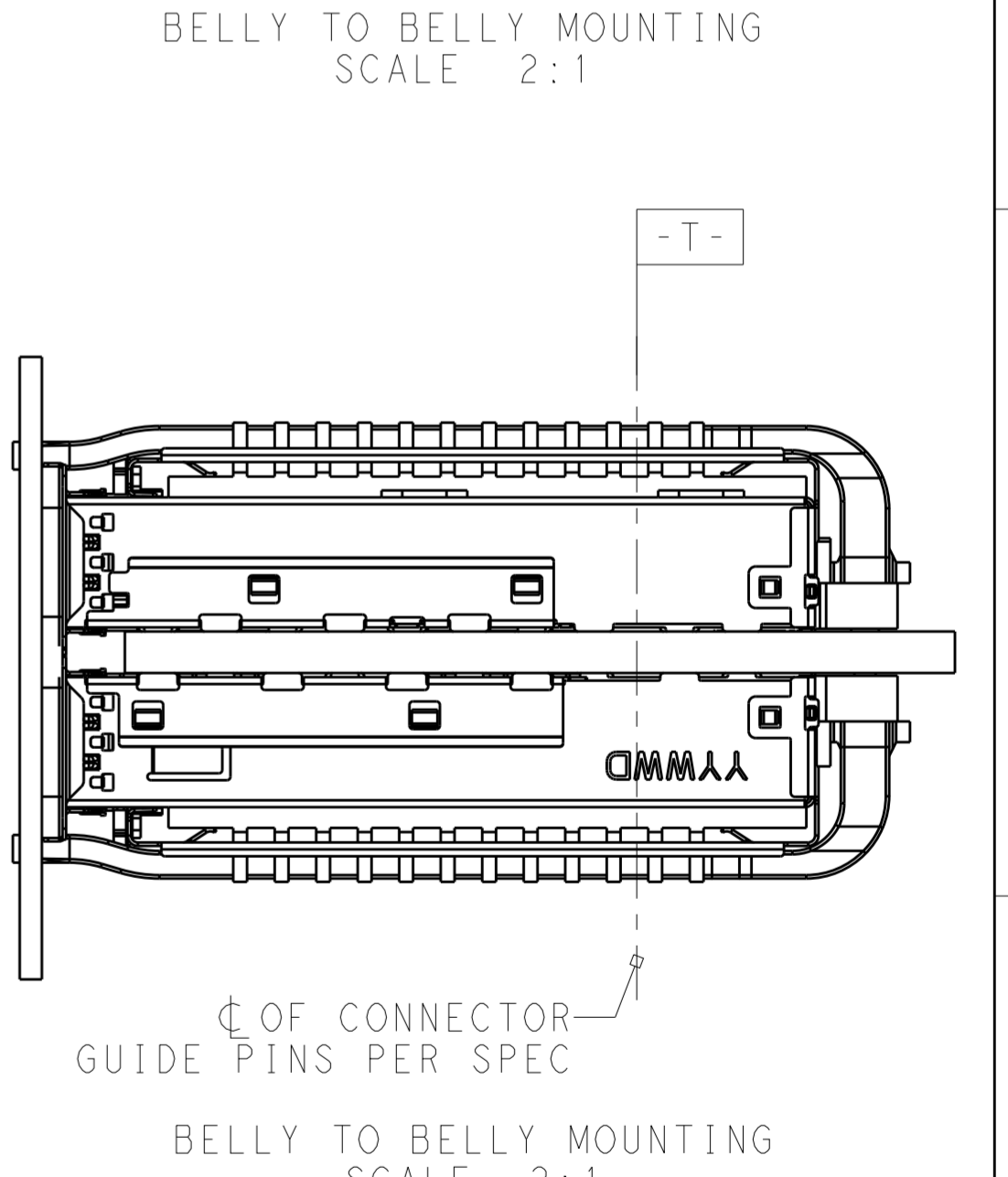
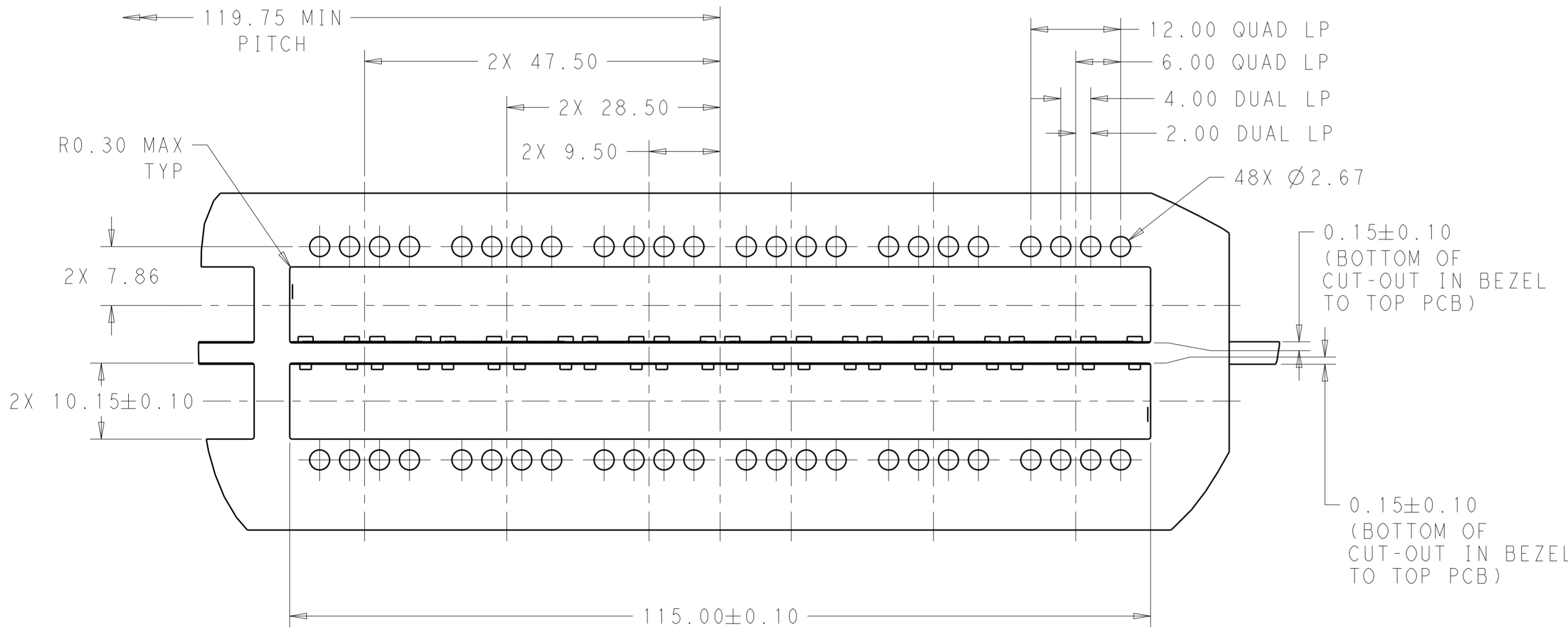
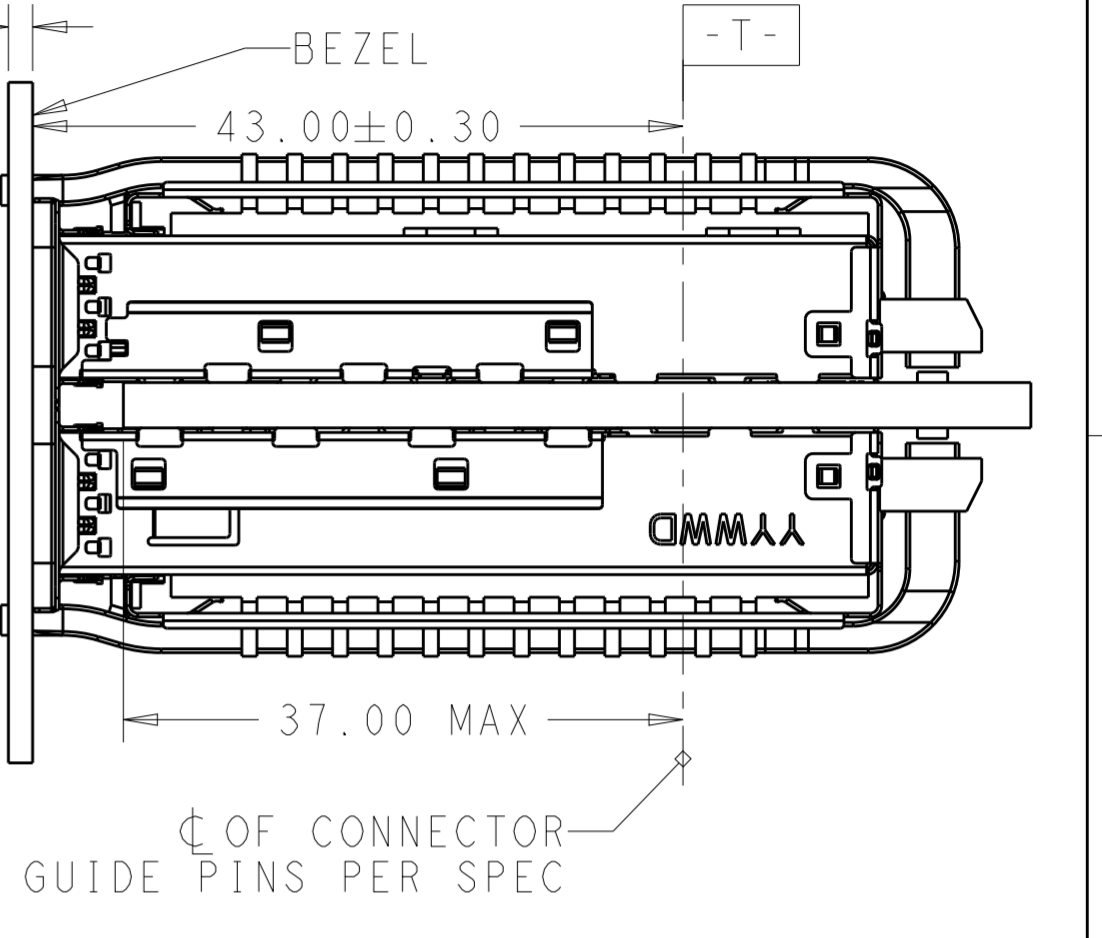
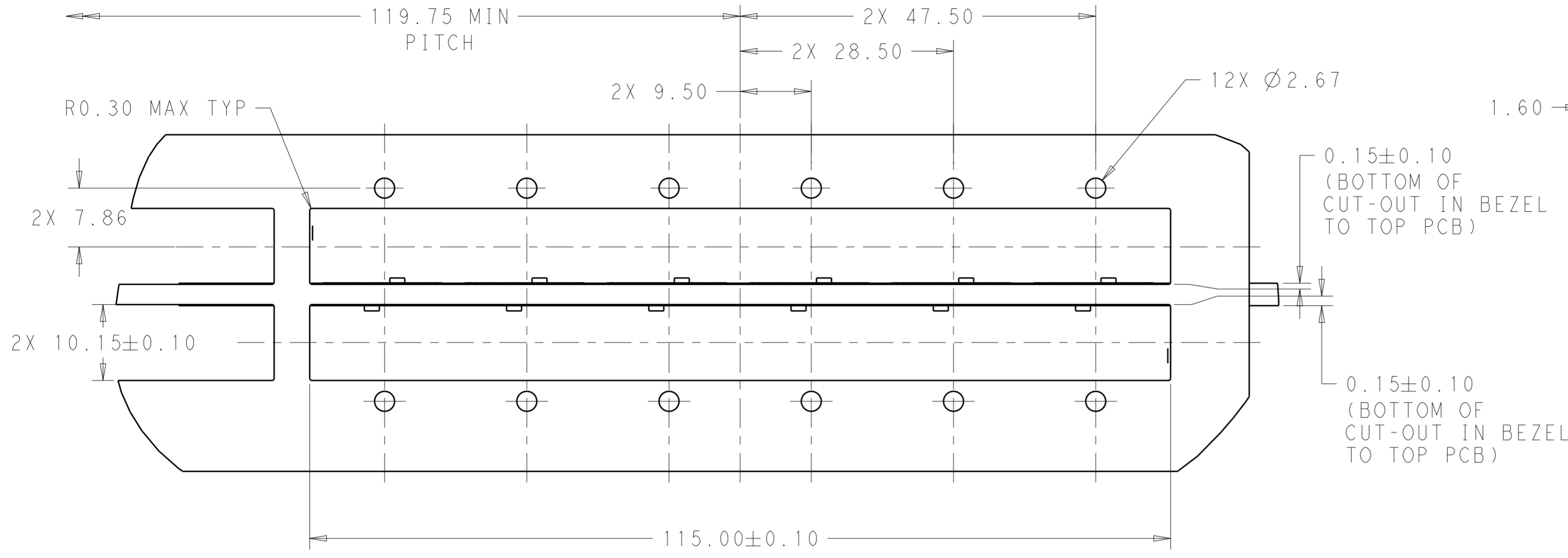
SINGLE SIDE MOUNTING  
SCALE 2:1

PRELIMINARY PART- NOT RELEASED FOR PRODUCTION

THIS DRAWING IS A CONTROLLED DOCUMENT.		DWN 24OCT2013 JASON YANG	TE Connectivity	
DIMENSIONS: mm		CHK -		
TOLERANCES UNLESS OTHERWISE SPECIFIED:		APVD -	PRODUCT SPEC	
0 PLC ±		APVD -	APPLICATION SPEC	
1 PLC ±0.25		WEIGHT -	RESTRICTED TO	
2 PLC ±0.2		Customer Drawing	SIZE CAGE CODE DRAWING NO	
3 PLC ±		SCALE 3:1	A200779 C-2170724	
4 PLC ±		SHEET 4 OF 9	REV 1	
ANGLES ±				
FINISH				
MATERIAL SEE NOTES				
SEE NOTES				

THIS DRAWING IS UNPUBLISHED. RELEASED FOR PUBLICATION 20  
 © COPYRIGHT 20 BY - ALL RIGHTS RESERVED.

REVISIONS				
P	LTR	DESCRIPTION	DATE	APVD
-	-	SEE SHEET 1	-	-

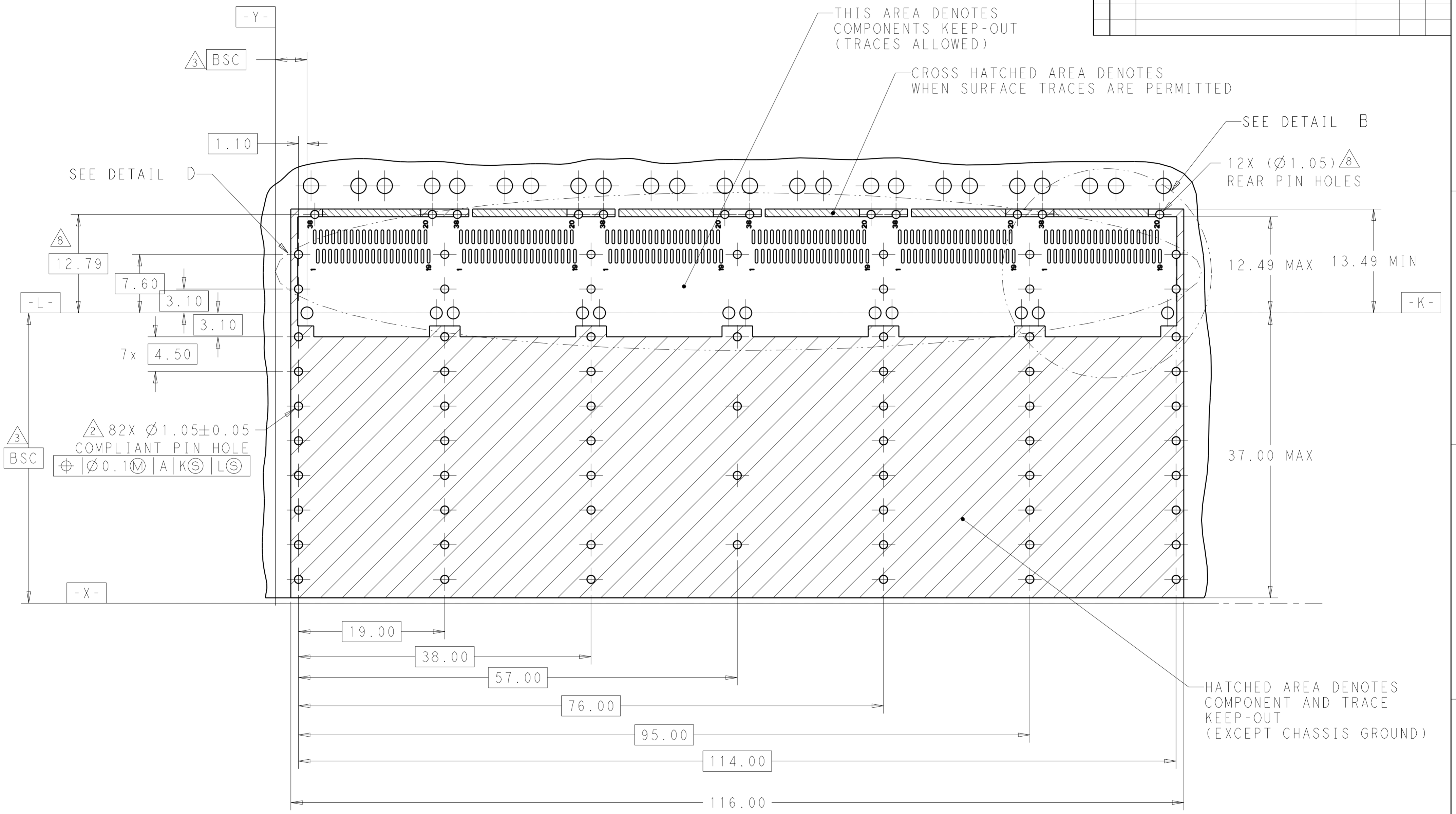


THIS DRAWING IS A CONTROLLED DOCUMENT.		DWN 24OCT2013 JASON YANG	TE Connectivity	
DIMENSIONS: mm		CHK -		
TOLERANCES UNLESS OTHERWISE SPECIFIED:		APVD -	PRODUCT SPEC	
0 PLC ± 1 PLC ±0.25 2 PLC ±0.2 3 PLC ± 4 PLC ± ANGLES ± FINISH		APPLICATION SPEC	CAGE ASSEMBLY, 1X6, QSFP28 WITH HEAT SINKS AND LIGHT PIPES, THRU BEZEL, GASKET	
MATERIAL SEE NOTES	SEE NOTES	WEIGHT -	SIZE A200779	
		Customer Drawing	DRAWING NO C-2170724	
		SCALE 3:1	RESTRICTED TO	
		SHEET 5 OF 9	REV 1	



THIS DRAWING IS UNPUBLISHED. RELEASED FOR PUBLICATION 20  
 © COPYRIGHT 20 BY - ALL RIGHTS RESERVED.

REVISIONS				
P	LTR	DESCRIPTION	DATE	APVD
-	-	SEE SHEET 1	-	-



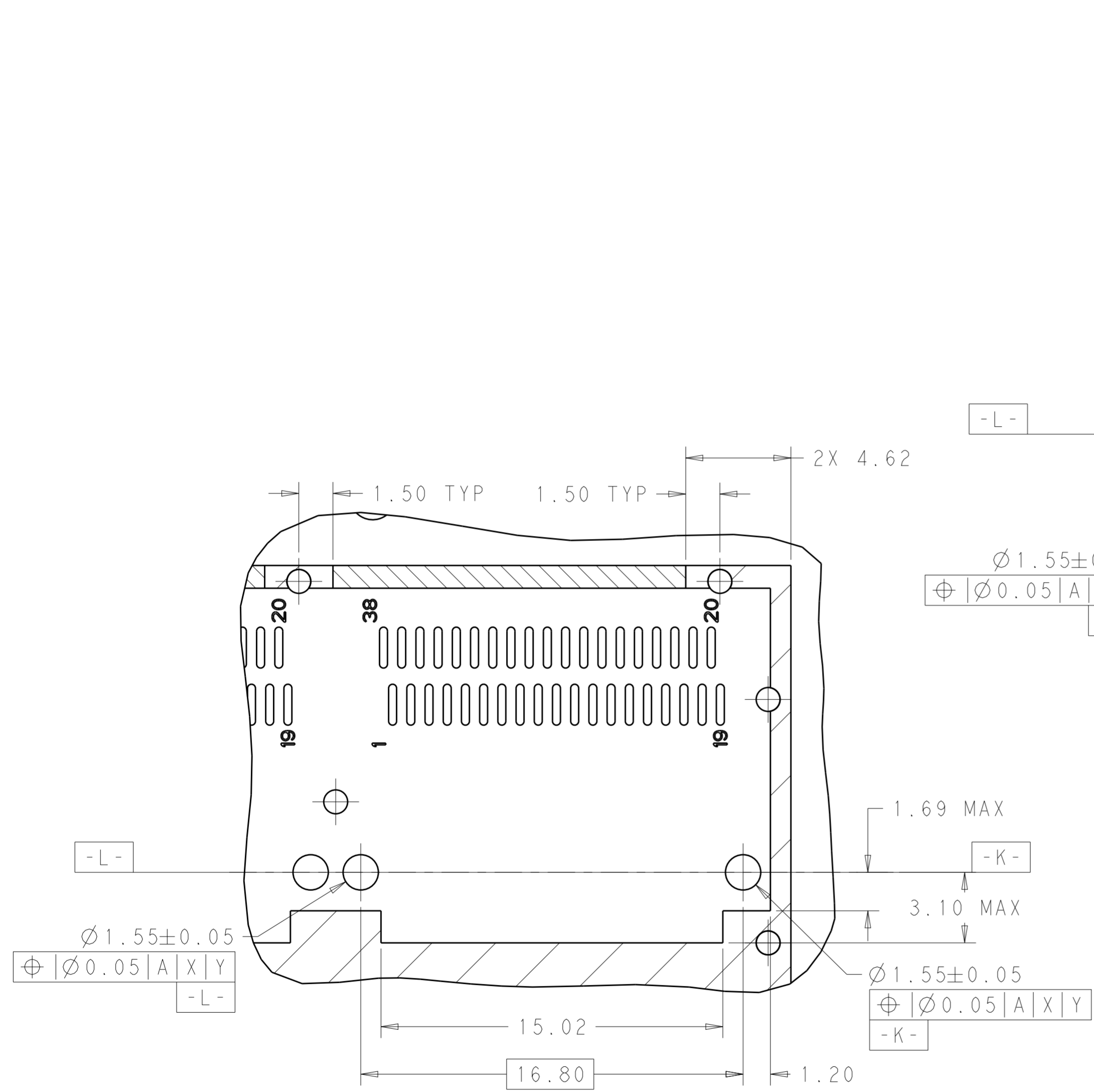
RECOMMENDED PCB LAYOUT  
 BELLY TO BELLY TYPE  
 PCB TOLERANCE: ±0.05  
 SCALE 3:1

PRELIMINARY PART- NOT RELEASED FOR PRODUCTION

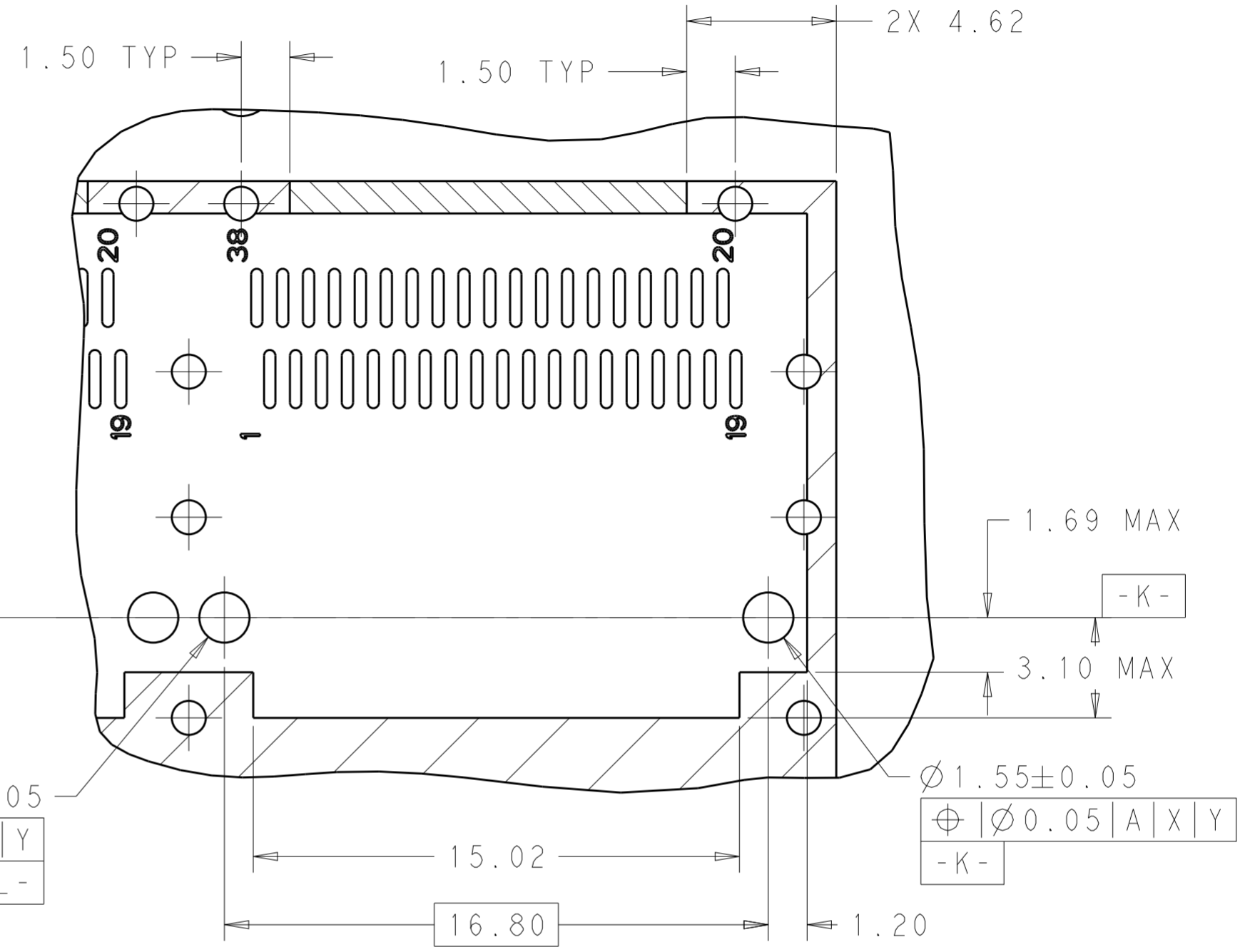
THIS DRAWING IS A CONTROLLED DOCUMENT.		DWN 24OCT2013 JASON YANG	TE Connectivity	
DIMENSIONS: mm		CHK -		
TOLERANCES UNLESS OTHERWISE SPECIFIED:		APVD -	PRODUCT SPEC	
0 PLC ±	1 PLC ±0.25	APPLICATION SPEC	SIZE	
2 PLC ±0.2	3 PLC ±	WEIGHT	CAGE CODE	
4 PLC ±	ANGLES ±	Customer Drawing	DRAWING NO	
FINISH	SEE NOTES	SCALE 3:1	RESTRICTED TO	
MATERIAL	SEE NOTES	SHEET 7 OF 9	REV 1	

THIS DRAWING IS UNPUBLISHED. RELEASED FOR PUBLICATION 20  
 © COPYRIGHT 20 BY - ALL RIGHTS RESERVED.

REVISIONS				
P	LTR	DESCRIPTION	DATE	APVD
-	-	SEE SHEET 1	-	-



DETAIL A  
SCALE 6:1



DETAIL B  
SCALE 6:1

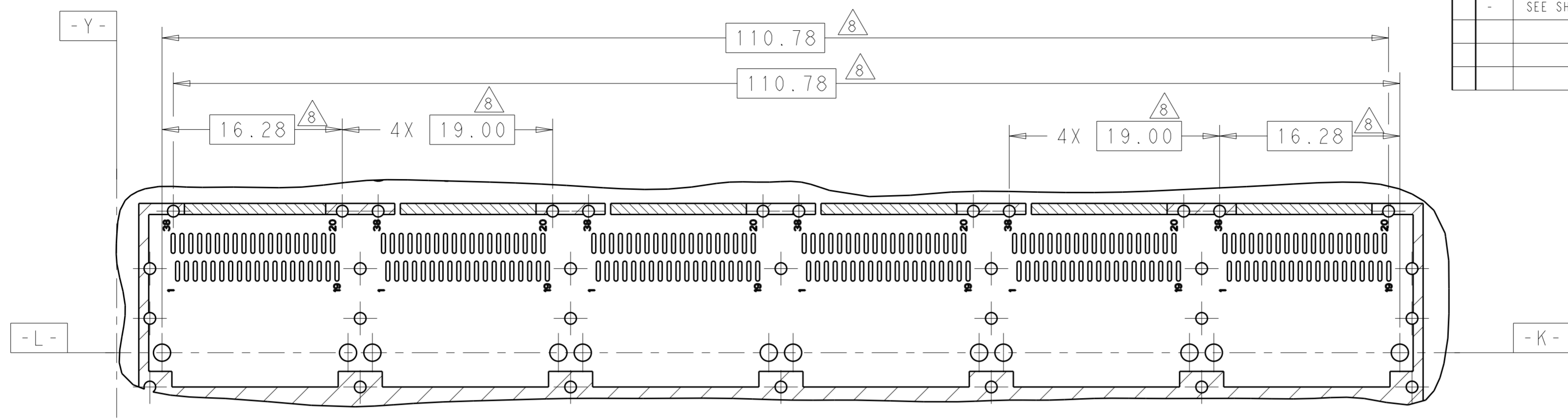
PRELIMINARY PART- NOT RELEASED FOR PRODUCTION

THIS DRAWING IS A CONTROLLED DOCUMENT.		DWN 24OCT2013 JASON YANG	TE Connectivity	
DIMENSIONS: mm		CHK -		
TOLERANCES UNLESS OTHERWISE SPECIFIED:		APVD -	PRODUCT SPEC	CAGE ASSEMBLY, 1X6, QSFP28 WITH HEAT SINKS AND LIGHT PIPES, THRU BEZEL, GASKET
0 PLC ±		APVD -	APPLICATION SPEC	SIZE CAGE CODE DRAWING NO RESTRICTED TO
1 PLC ±0.25		WEIGHT -	APVD -	A200779 C-2170724
2 PLC ±0.2		Customer Drawing	APVD -	SCALE 3:1 SHEET 8 OF 9 REV 1
3 PLC ±			APVD -	
4 PLC ±			APVD -	
ANGLES ±			APVD -	
FINISH			APVD -	
MATERIAL SEE NOTES	SEE NOTES		APVD -	

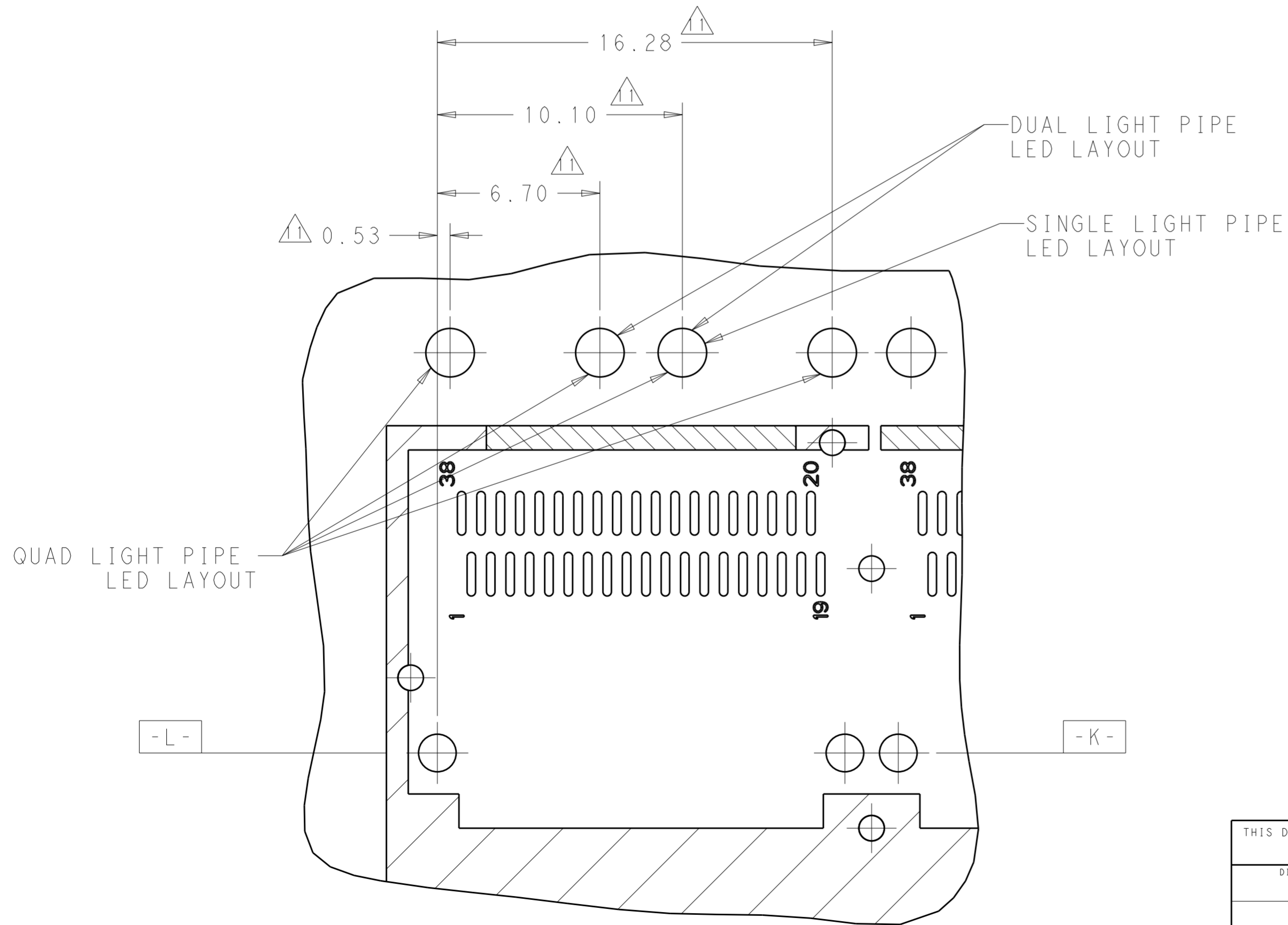


THIS DRAWING IS UNPUBLISHED. RELEASED FOR PUBLICATION 20  
 © COPYRIGHT 20 BY - ALL RIGHTS RESERVED.

REVISIONS				
P	LTR	DESCRIPTION	DATE	APVD
-	-	SEE SHEET 1	-	-



DETAIL D  
SCALE 3:1



DETAIL E  
SCALE 6:1

THIS DRAWING IS A CONTROLLED DOCUMENT.		DWN 24OCT2013 JASON YANG	TE Connectivity	
DIMENSIONS: mm		CHK -		
TOLERANCES UNLESS OTHERWISE SPECIFIED:		APVD -	CAGE ASSEMBLY, 1X6, QSFP28 WITH HEAT SINKS AND LIGHT PIPES, THRU BEZEL, GASKET	
0 PLC ±		PRODUCT SPEC	SIZE CAGE CODE DRAWING NO RESTRICTED TO	
1 PLC ±0.25		APPLICATION SPEC	A200779 C-2170724	
2 PLC ±0.2		WEIGHT	SCALE 3:1 SHEET 9 OF 9 REV 1	
3 PLC ±		Customer Drawing		
4 PLC ±				
ANGLES ±				
FINISH				
MATERIAL SEE NOTES				
SEE NOTES				