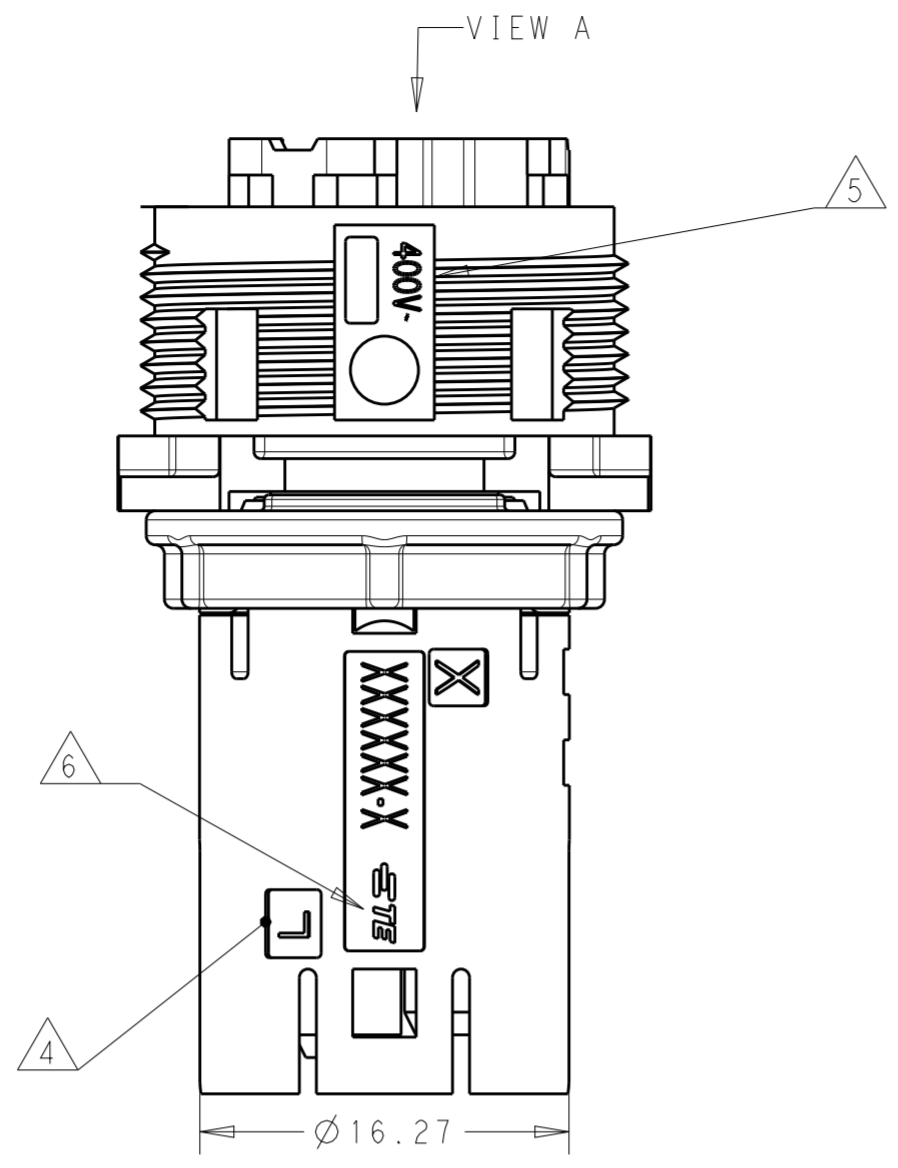
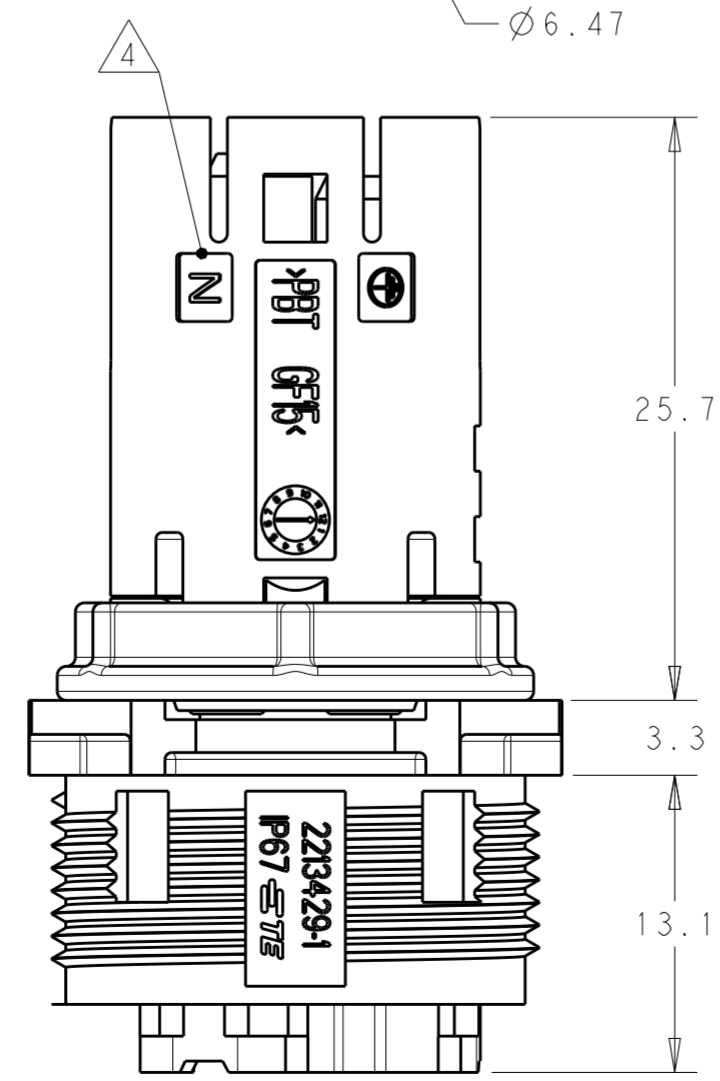
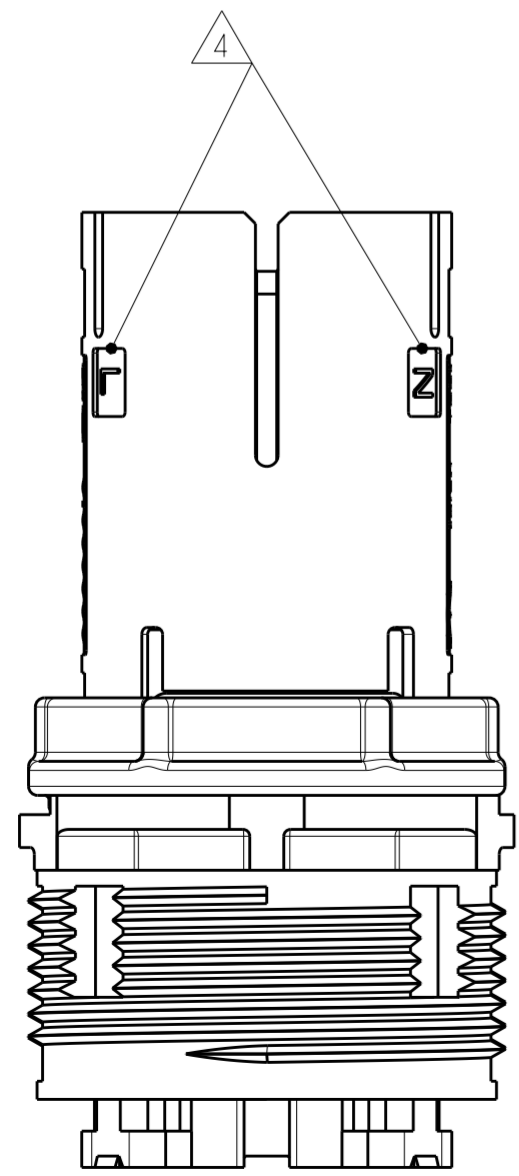
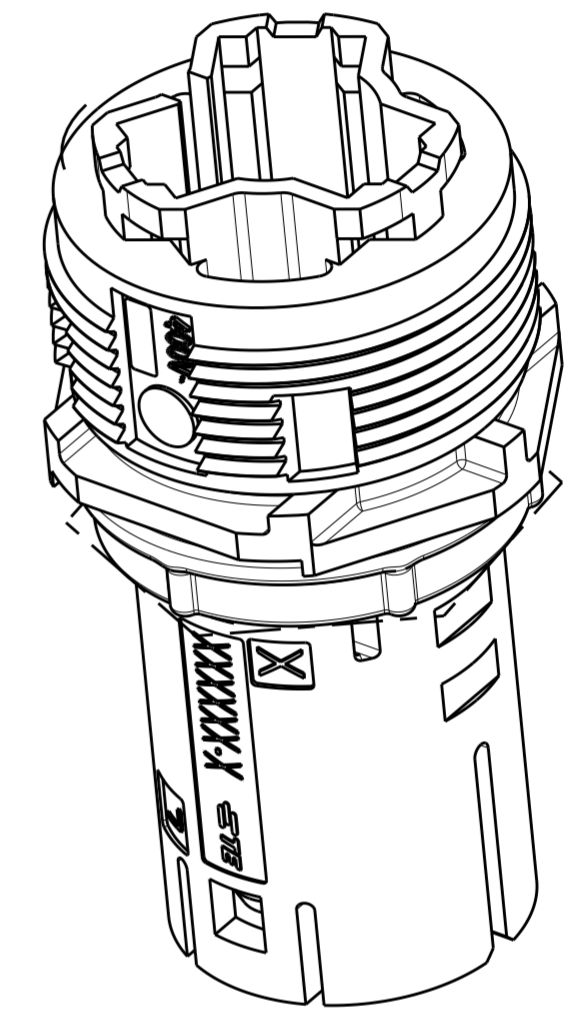
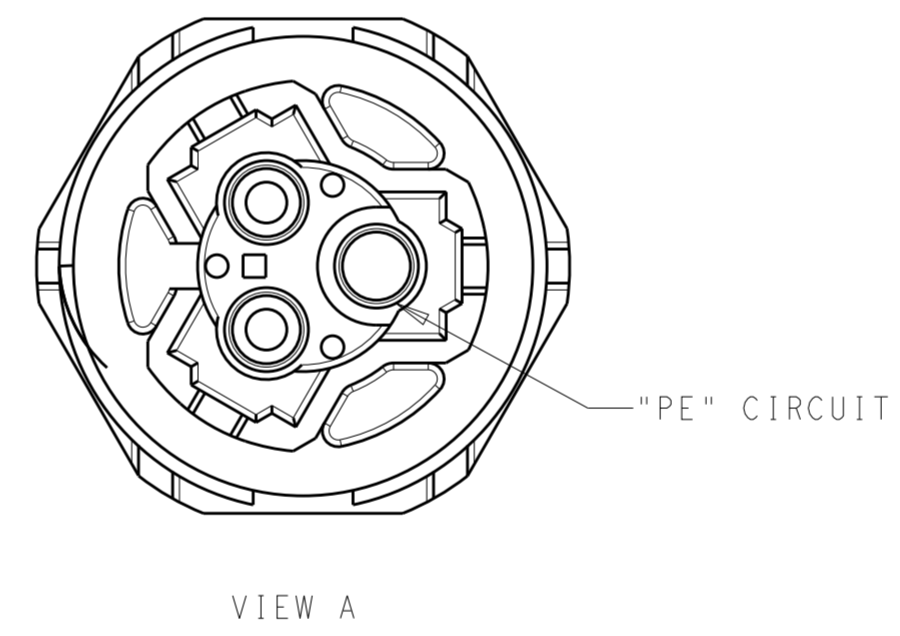
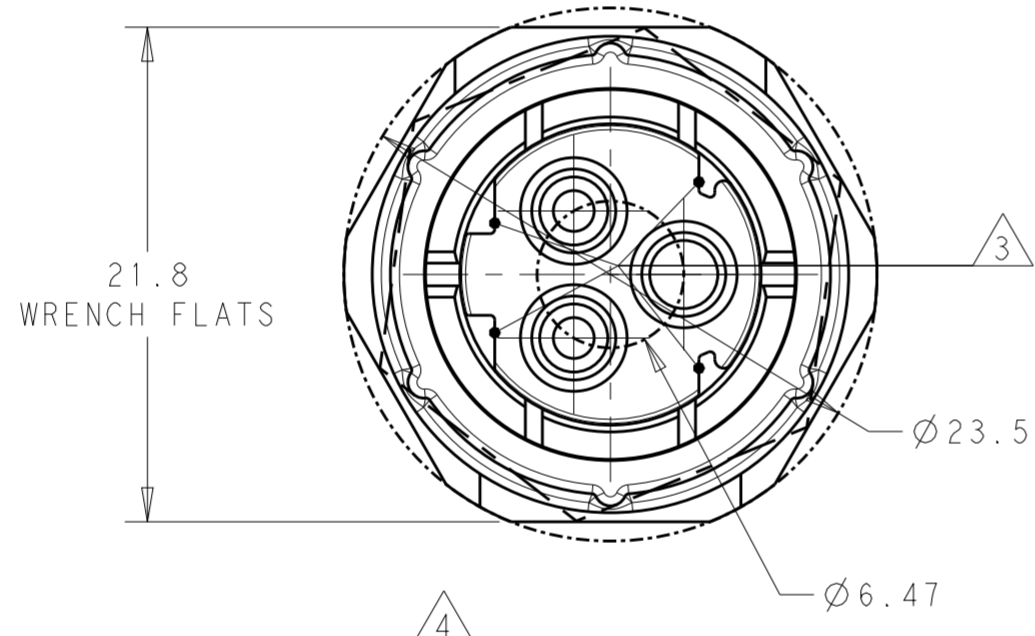


THIS DRAWING IS UNPUBLISHED. RELEASED FOR PUBLICATION 20
 © COPYRIGHT 20 BY - ALL RIGHTS RESERVED.

REVISIONS					
P	LTR	DESCRIPTION	DATE	DWN	APVD
	A1	REVISED PER REVISED PER ECR-18-006945	27JUN2018	NG	MZ



- NOTES:
1. MATERIAL: GLASS FILLED PBT, COLOR: BLACK
 2. MUST COMPLY WITH DIRECTIVE 2002/95/EC (ROHS)
 3. ALL POLARIZATION KEYS SHOWN FOR REF ONLY.
 4. CIRCUIT I.D.
 5. VOLTAGE RATING
 6. TE LOGO
 7. THIS PRODUCT HAS NOT COMPLETED VALIDATION TESTING

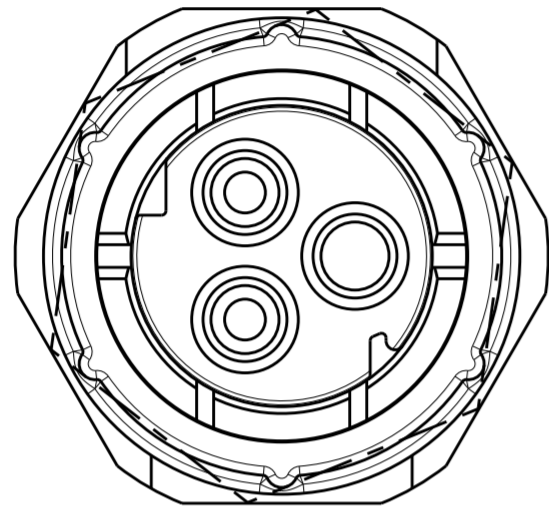
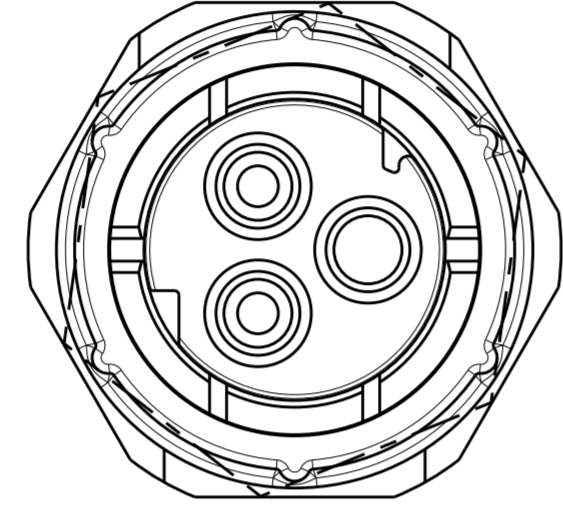
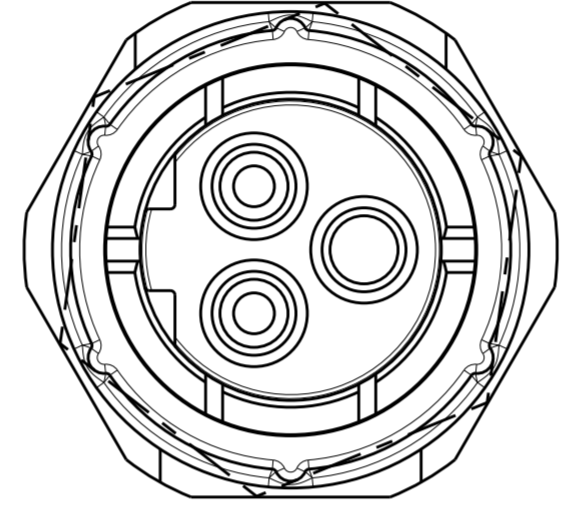



OBSOLETE	C	FREE HANGING SOCKET SEALED NECTOR 3 POSITION	2213428-3
	B	FREE HANGING SOCKET SEALED NECTOR 3 POSITION	2213428-2
	A	FREE HANGING SOCKET SEALED NECTOR 3 POSITION	2213428-1
	POLARIZATION TYPE	DESCRIPTION	PART NUMBER

DIMENSIONS:		TOLERANCES UNLESS OTHERWISE SPECIFIED:		DWN		APVD		NAME	
mm	0 PLC	±	±0.2	J. SHAFFER	24MAR2014	TE Connectivity			
	1 PLC	±	±0.13	M. LUKSIC	24MAR2014	FREE HANGING, SOCKET SEALED NECTOR M 3 POSN			
	2 PLC	±	±	M. LUKSIC	24MAR2014	SIZE CAGE CODE DRAWING NO RESTRICTED TO			
	3 PLC	±	±	PRODUCT SPEC		108-133014		A2 - C-2213428	
	4 PLC	±	±	APPLICATION SPEC		114-32111		SCALE 2:1 SHEET 1 OF 2 REV A1	
	ANGLES	±	±3°	WEIGHT		-			
	FINISH	-	-	Customer Drawing					

THIS DRAWING IS UNPUBLISHED. RELEASED FOR PUBLICATION 20
 © COPYRIGHT 20 BY - ALL RIGHTS RESERVED.

REVISIONS				
P	LTR	DESCRIPTION	DATE	APVD
-		SEE SHEET 1	-	-

POLARIZATION TYPES		
POLARIZATION TYPE "A"	POLARIZATION TYPE "B"	POLARIZATION TYPE "C"
		
PN 2213428-1	PN 2213428-2	PN 2213428-3

THIS DRAWING IS A CONTROLLED DOCUMENT.		DWN J. SHAFFER 24MAR2014	 TE Connectivity	
DIMENSIONS: mm		CHK M. LUKSIC 24MAR2014		
TOLERANCES UNLESS OTHERWISE SPECIFIED: 0 PLC ± 1 PLC ±0.2 2 PLC ±0.13 3 PLC ± 4 PLC ± ANGLES ±3° FINISH -		APVD M. LUKSIC 24MAR2014	NAME FREE HANGING, SOCKET SEALED NECTOR M 3 POSN	
MATERIAL TBD		PRODUCT SPEC 108-133014	SIZE A2	CAGE CODE -
		APPLICATION SPEC 114-32111	DRAWING NO G-2213428	RESTRICTED TO -
		WEIGHT -	SCALE 2:1	SHEET 2 OF 2
		Customer Drawing	REV A1	