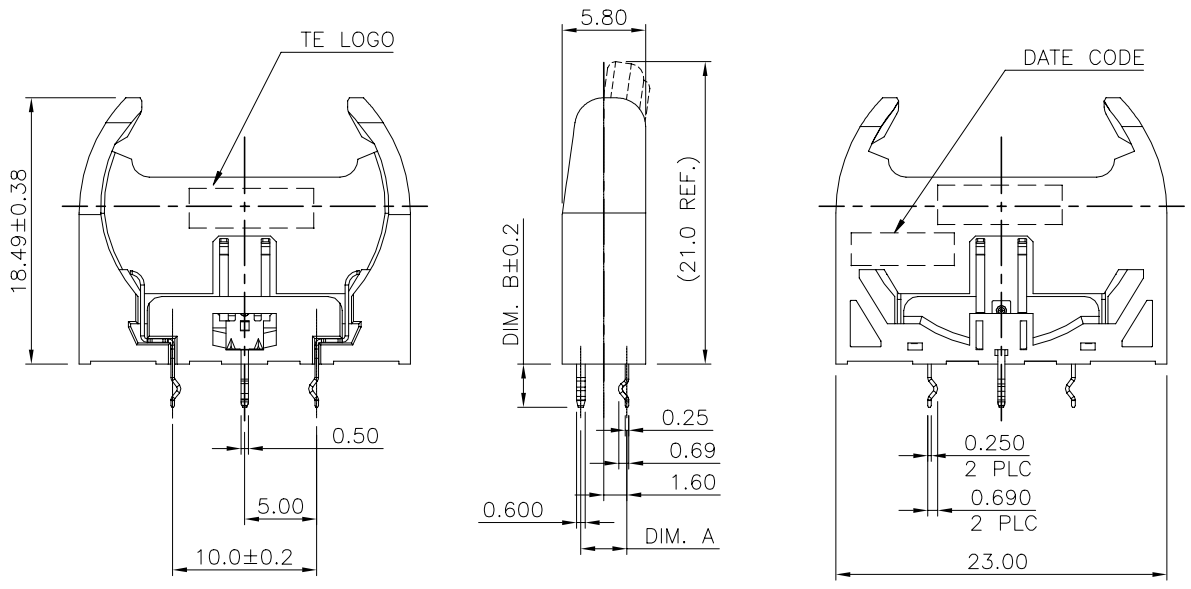
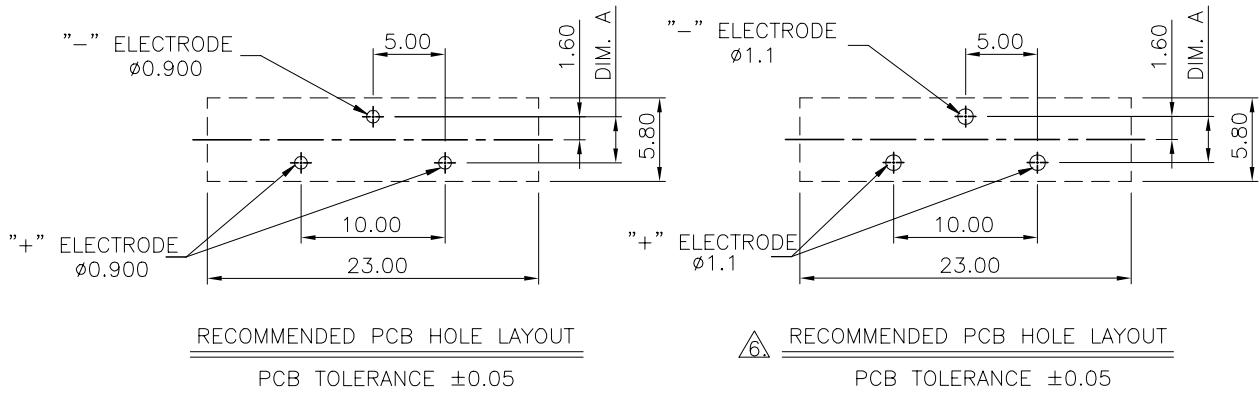
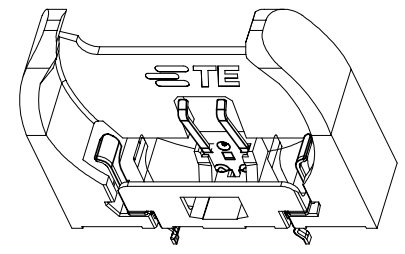


LOC	DIST	REVISIONS			
P	LTR	DESCRIPTION	DATE	DWN	APVD
DW		B1	REVISED PER ECO-19-018013	10MAR20	K.G W.H



- NOTES :
- MATERIAL :
 - HOUSING: MATERIAL AND COLOR: SEE TABLE, UL94 V-0
 - CONTACT: STAINLESS STEEL
 - FINISH :
 - CONTACT
 - GOLD FLASH PLATING ON CONTACT AREA, 2.54um [100u"] MIN. MATTE-TIN PLATING ON SOLDERING AREA.
 - 0.76um [30u"] MIN. NICKEL UNDERPLATING OVERALL.
 - WAVE SOLDER CAPABLE TO 265°C PER TE SPEC. 109-202, CONDITION B.
 - RECOMMENDED PCB THICKNESS: 1.6mm
 - SUITABLE FOR BATTERY NO.: CR2032.
- ⚠️ LOW PCB RETENTION FORCE.



3.0 mm	3.2 mm	PA-66 & BLACK	2-1775485-4
3.6 mm	3.6 mm	PA-66 & BLACK	2-1775485-1
3.0 mm	3.2 mm	PA-66 & 2718C BLUE	1-1775485-2
		PA-66 & BLACK	1-1775485-1
3.0 mm	3.6 mm	PA-66 & 2718C BLUE	1775485-2
		PA-66 & BLACK	1775485-1
DIM B	DIM A	HOUSING MATERIAL&COLOR	PART NO.

THIS DRAWING IS A CONTROLLED DOCUMENT.

DWN S. CHIEN	03JUN2008	TE Connectivity BATTERY HOLDER, H=18.5mm, V/T
CHK S. CHIEN	03JUN2008	
APVD W. KODAMA	03JUN2008	
NAME		
DIMENSIONS: MM	TOLERANCES UNLESS OTHERWISE SPECIFIED:	PRODUCT SPEC 108-57542
	0 PLC ± - 1 PLC ± 0.38 2 PLC ± 0.25 3 PLC ± 0.15 4 PLC ± - ANGLES ± 2°	QUALIFICATION TEST REPORT 501-57624
MATERIAL SEE NOTE	FINISH SEE NOTE	WEIGHT 1.19 GRAMS
CUSTOMER DRAWING		SIZE A3 CAGE CODE 00779 C=1775485 SCALE - SHEET 1 OF 4 REV B1

THIS DRAWING IS UNPUBLISHED.

RELEASED FOR PUBLICATION

AUG ,2006.

© COPYRIGHT BY TYCO ELECTRONICS CORPORATION.

ALL RIGHTS RESERVED.

LOC DW

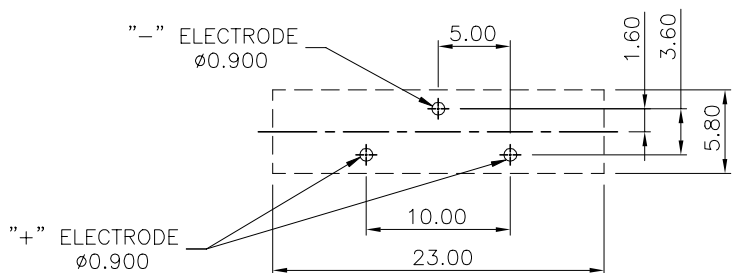
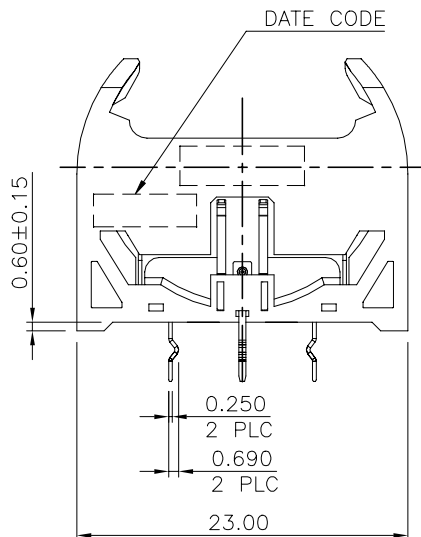
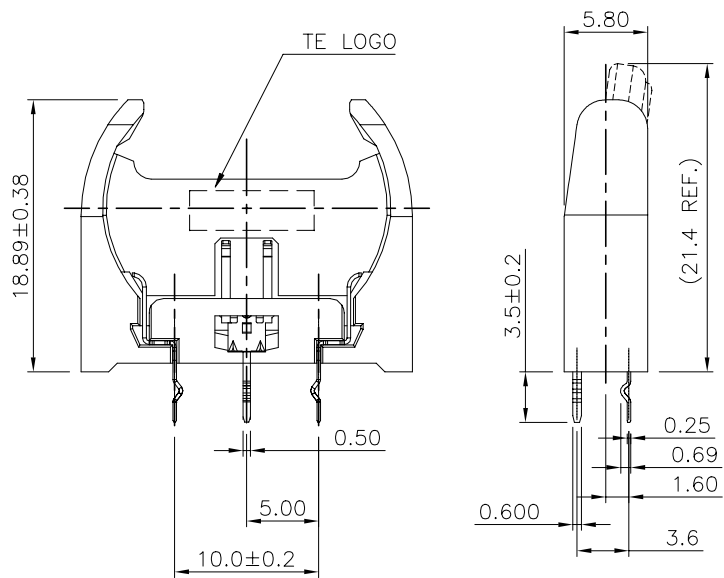
DIST

REVISIONS

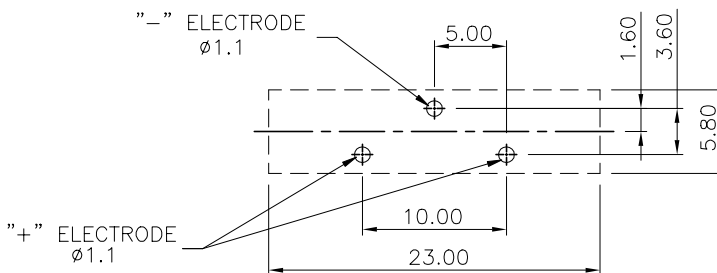
P	LTR	DESCRIPTION	DATE	DWN	APVD
		SEE SHEET 1.			

NOTES :

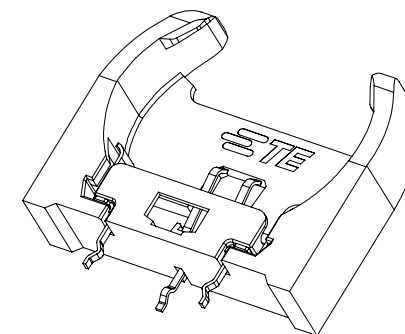
- MATERIAL :
 - HOUSING: UL94 V-0, PA SERIES COLOR: SEE TABLE
 - CONTACT: STAINLESS STEEL
 - FINISH :
 - CONTACT
 - GOLD FLASH PLATING ON CONTACT AREA, 2.54um [100u"] MIN. MATTE-TIN PLATING ON SOLDERING AREA.
 - 0.76um [30u"] MIN. NICKEL UNDERPLATING OVERALL.
 - WAVE SOLDER CAPABLE TO 265°C PER TE SPEC. 109-202, CONDITION B.
 - RECOMMENDED PCB THICKNESS: 1.6mm
 - SUITABLE FOR BATTERY NO.: CR2032.
- ⚠️ LOW PCB RETENTION FORCE.



RECOMMENDED PCB HOLE LAYOUT
PCB TOLERANCE ±0.05



RECOMMENDED PCB HOLE LAYOUT
PCB TOLERANCE ±0.05



1775485-3 AS SHOWN
(0.60mm Height Standoff)

PA66 & BLACK	1775485-3
HOUSING COLOR	PART NO.

THIS DRAWING IS A CONTROLLED DOCUMENT.		DWN S. CHIEN 03JUN2008	STE TE Connectivity	
		CHK S. CHIEN 03JUN2008		
DIMENSIONS: MM		APVD W. KODAMA 03JUN2008	NAME	
TOLERANCES UNLESS OTHERWISE SPECIFIED:		PRODUCT SPEC	BATTERY HOLDER, H=18.9mm V/T	
0 PLC ± -		108-57542	QUALIFICATION TEST REPORT	
1 PLC ± 0.38		501-57624	WEIGHT 1.19 GRAMS	
2 PLC ± 0.25		CUSTOMER DRAWING	SIZE A3	CAGE CODE 00779
3 PLC ± 0.15			DRAWING NO. C=1775485	
4 PLC ± -			RESTRICTED TO	
ANGLES ± 2'			SCALE	
MATERIAL SEE NOTE	FINISH SEE NOTE	SHEET 2 OF 4		REV B1

4

3

2

1

THIS DRAWING IS UNPUBLISHED.

RELEASED FOR PUBLICATION

AUG ,2006.

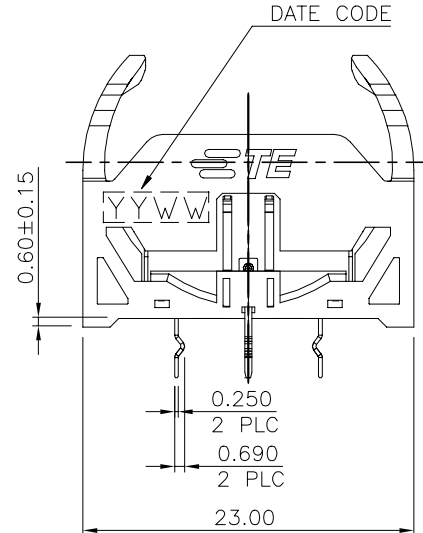
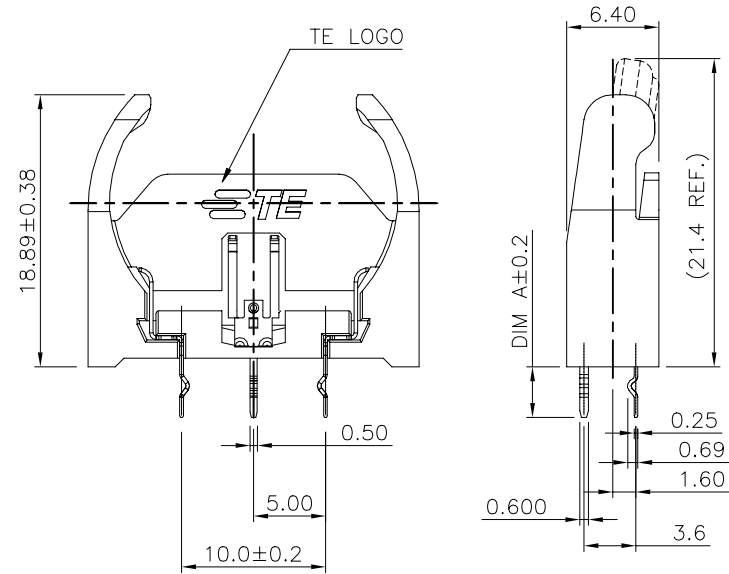
© COPYRIGHT BY TYCO ELECTRONICS CORPORATION.

ALL RIGHTS RESERVED.

LOC DW DIST

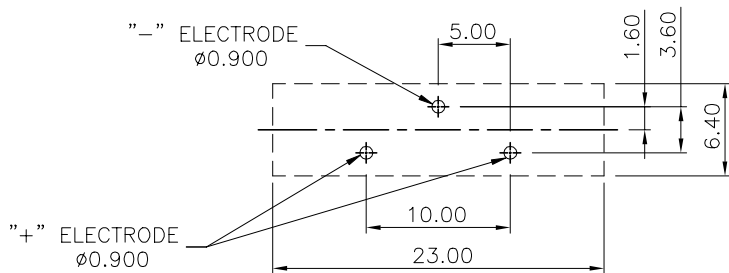
REVISIONS

P	LTR	DESCRIPTION	DATE	DWN	APVD
		SEE SHEET 1.			



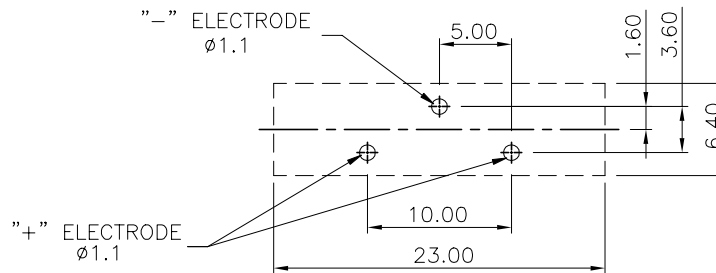
NOTES :

- MATERIAL :
 - HOUSING: UL94 V-0, PA SERIES COLOR: SEE TABLE
 - CONTACT: STAINLESS STEEL
- FINISH :
 - CONTACT
 - GOLD FLASH PLATING ON CONTACT AREA, 2.54um [100u"] MIN. MATTE-TIN PLATING ON SOLDERING AREA.
 - 0.76um [30u"] MIN. NICKEL UNDERPLATING OVERALL.
- WAVE SOLDER CAPABLE TO 265°C PER TE SPEC. 109-202, CONDITION B.
- RECOMMENDED PCB THICKNESS: 1.6mm
- SUITABLE FOR BATTERY NO.: CR2032.
- △ LOW PCB RETENTION FORCE.
- 3-1775485-2 AND 4-1775485-2 ARE PRELIMINARY PART



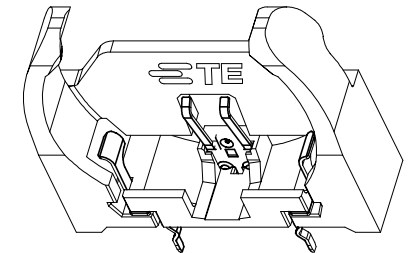
RECOMMENDED PCB HOLE LAYOUT

PCB TOLERANCE ±0.05



△ RECOMMENDED PCB HOLE LAYOUT

PCB TOLERANCE ±0.05



3.50	PA10T HF&2718C BLUE	2-1775485-2
DIM A	HOUSING COLOR	PART NO.

THIS DRAWING IS A CONTROLLED DOCUMENT.		DWN S. CHIEN 03JUN2008	STE TE Connectivity	
		CHK S. CHIEN 03JUN2008		
DIMENSIONS: MM		APVD W. KODAMA 03JUN2008	NAME	
TOLERANCES UNLESS OTHERWISE SPECIFIED:		PRODUCT SPEC	BATTERY HOLDER, H=18.9mm V/T	
0 PLC ± -		108-57542		
1 PLC ± 0.38		QUALIFICATION TEST REPORT		
2 PLC ± 0.25		501-57624		
3 PLC ± 0.15		WEIGHT 1.19 GRAMS	RESTRICTED TO	
4 PLC ANGLES ± -		A3 00779 C=1775485		
MATERIAL SEE NOTE		CUSTOMER DRAWING	SCALE SHEET 3 OF 4 REV B1	

THIS DRAWING IS UNPUBLISHED.

RELEASED FOR PUBLICATION

AUG ,2006.

© COPYRIGHT BY TYCO ELECTRONICS CORPORATION.

ALL RIGHTS RESERVED.

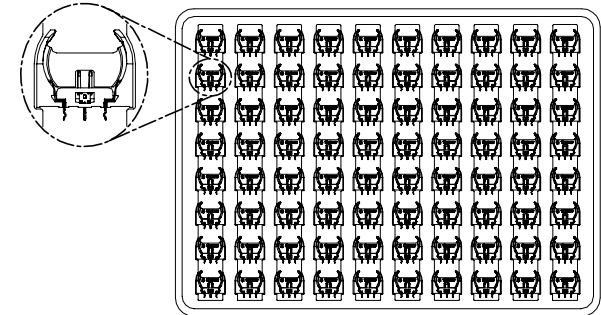
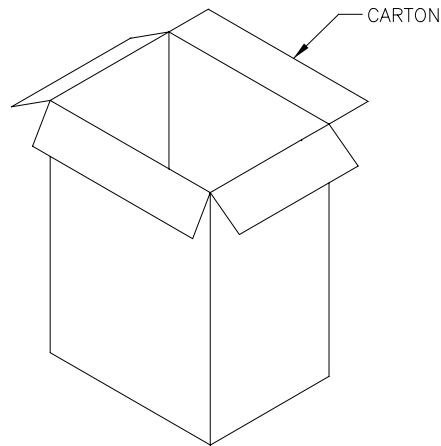
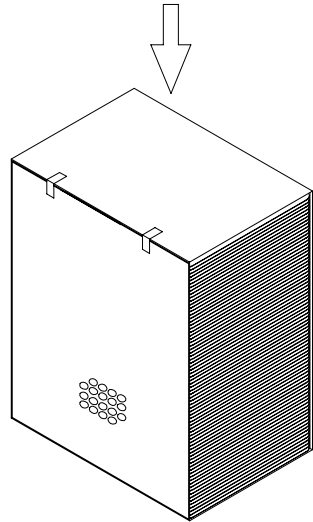
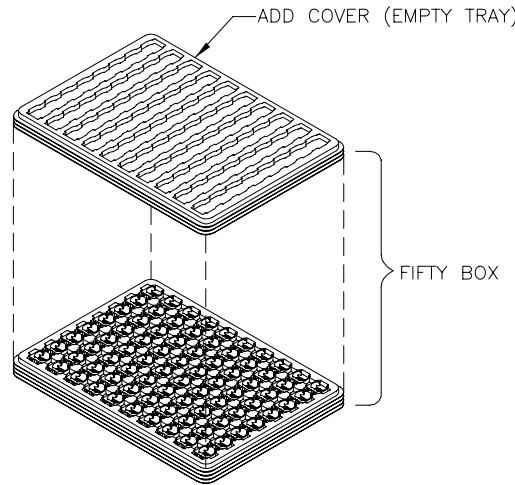
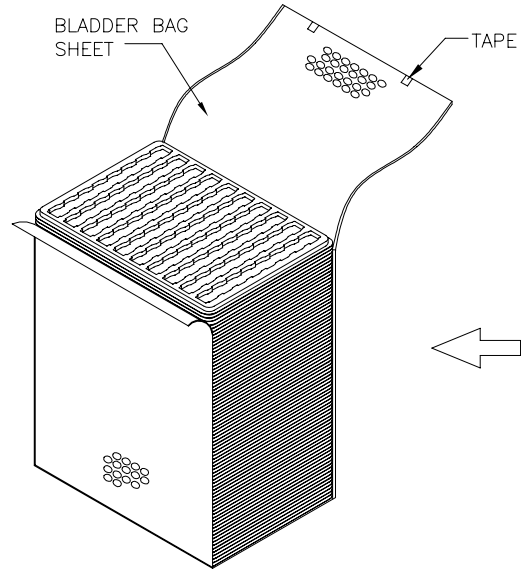
LOC DW DIST

REVISIONS

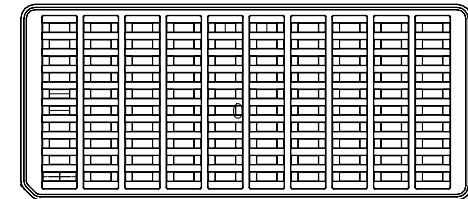
P	LTR	DESCRIPTION	DATE	DWN	APVD
		SEE SHEET 1.			

NOTES :

- 1. MATERIAL:
 - 1.1 TRAY:
 - 1775485-1/1775485-2 SOFT TRAY
 - 1-1775485-1/1-1775485-2/2-1775485-1 SOFT TRAY
 - 2-1775485-2/1775485-3 SOFT TRAY
 - 2-1775485-4 HARD TRAY
 - 1.2 SHIPPING CARTON: CORRUGATED FIBERBOARD
- 2. QUANTITY:
 - 2.1 PRIMARY PACKING: 80 PCS/TRAY SOFT TRAY
 - 100 PCS/TRAY HARD TRAY
 - 2.2 SECONDARY PACKING: 50 TRAY/CARTON(4,000PCS)
 - 20 TRAY/CARTON(2,000PCS)



SOFT TRAY



HARD TRAY

THIS DRAWING IS A CONTROLLED DOCUMENT.

DIMENSIONS: MM		TOLERANCES UNLESS OTHERWISE SPECIFIED:	
		0 PLC	± -
		1 PLC	± -
		2 PLC	± -
		3 PLC	± -
		4 PLC ANGLES	± -
MATERIAL	FINISH		

DWN	TE Connectivity		
CHK	NAME		
APVD	BATTERY HOLDER, H=18.5mm, V/T		
PRODUCT SPEC	SIZE	CAGE CODE	DRAWING NO
APPLICATION SPEC	A3	00779	C=1775485
WEIGHT	CUSTOMER DRAWING		RESTRICTED TO
SCALE	SHEET	4 OF 4	REV B1