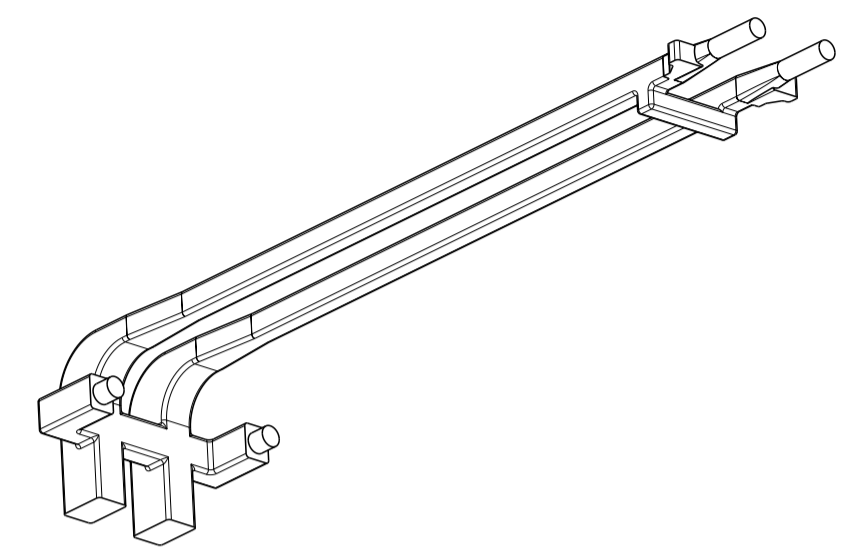
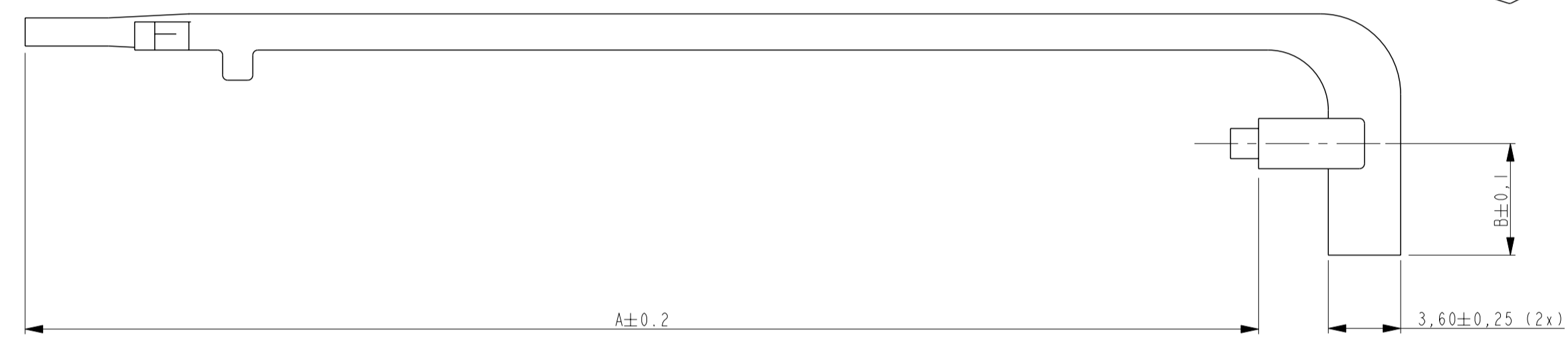
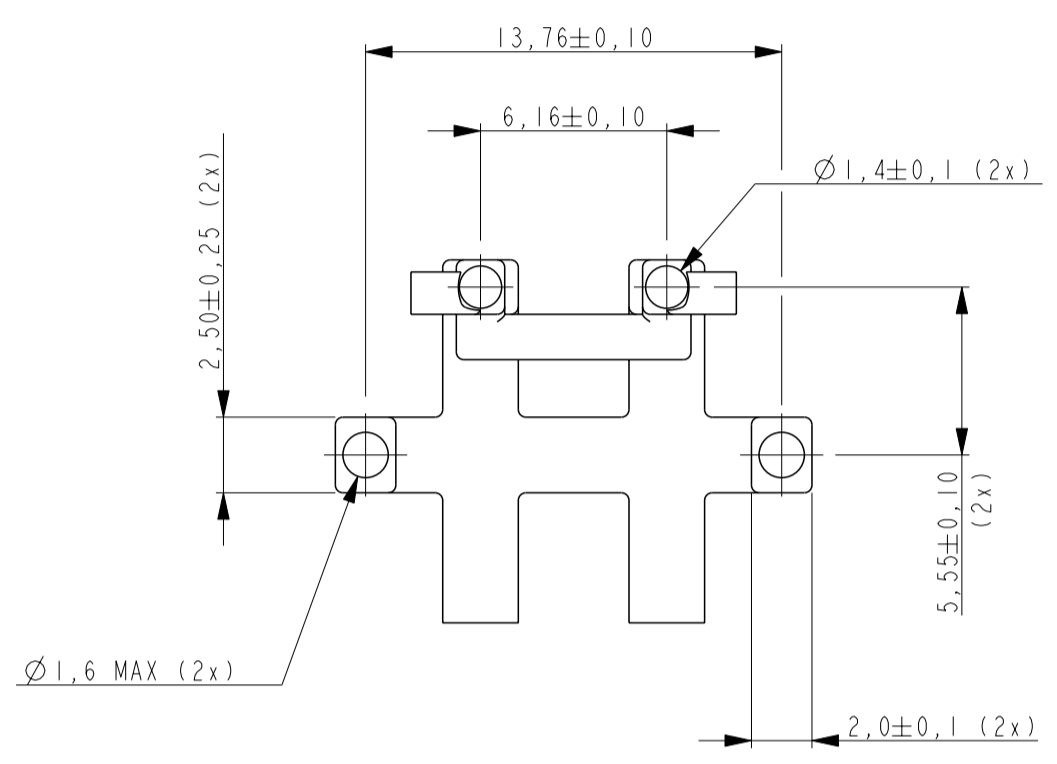
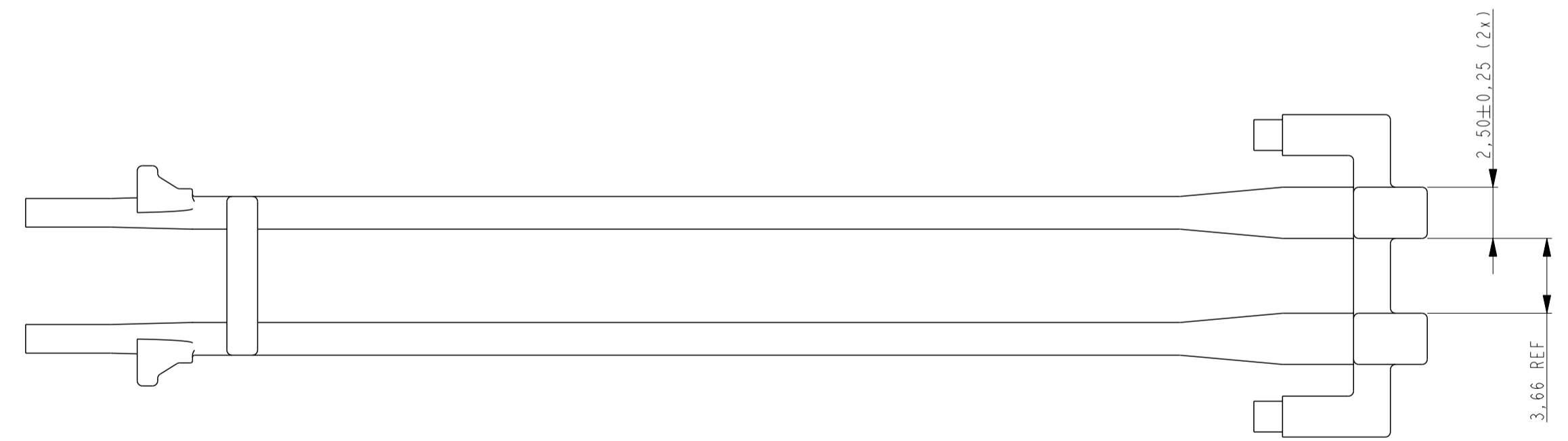


THIS DRAWING IS UNPUBLISHED. RELEASED FOR PUBLICATION 2007
 © COPYRIGHT - BY TYCO ELECTRONICS CORPORATION. ALL RIGHTS RESERVED.

LOC	DIST	REVISIONS			
P	LTR	DESCRIPTION	DATE	DWN	APVD
H	-	1	INITIAL DRAWING	08MAR2012	JvdH TdB



NOTE:
 ⚠ MATERIAL: POLYCARBONATE, CLEAR.



6,00	57,69	2173482-7
6,00	58,49	2173482-3
5,55	57,69	2173482-2
5,55	61,39	2173482-1
B	A	PART NUMBER

PRELIMINARY PART
 NOT RELEASED FOR PRODUCTION
 THIS PRODUCT HAS NOT COMPLETED
 VALIDATION TESTING

THIS DRAWING IS A CONTROLLED DOCUMENT.

DIMENSIONS:	TOLERANCES UNLESS OTHERWISE SPECIFIED:	DWN	08 MAR 2012	STE TE Connectivity
mm	0 PLC ±	CHK	08 MAR 2012	
	1 PLC ±0,5	B. MOOLU	08 MAR 2012	
	2 PLC ±0,13	APVD	09 MAR 2012	
	3 PLC ±0,013	T.D. BOER		NAME
	4 PLC ±0,0001			PRODUCT SPEC
	ANGLES ±			APPLICATION SPEC
	FINISH			114-32021
MATERIAL				WEIGHT
				-
				CUSTOMER DRAWING

SIZE	CAGE CODE	DRAWING NO	RESTRICTED TO
A2	00779	C-2173482	-
SCALE	SHEET	OF	REV
4:1	1	1	1