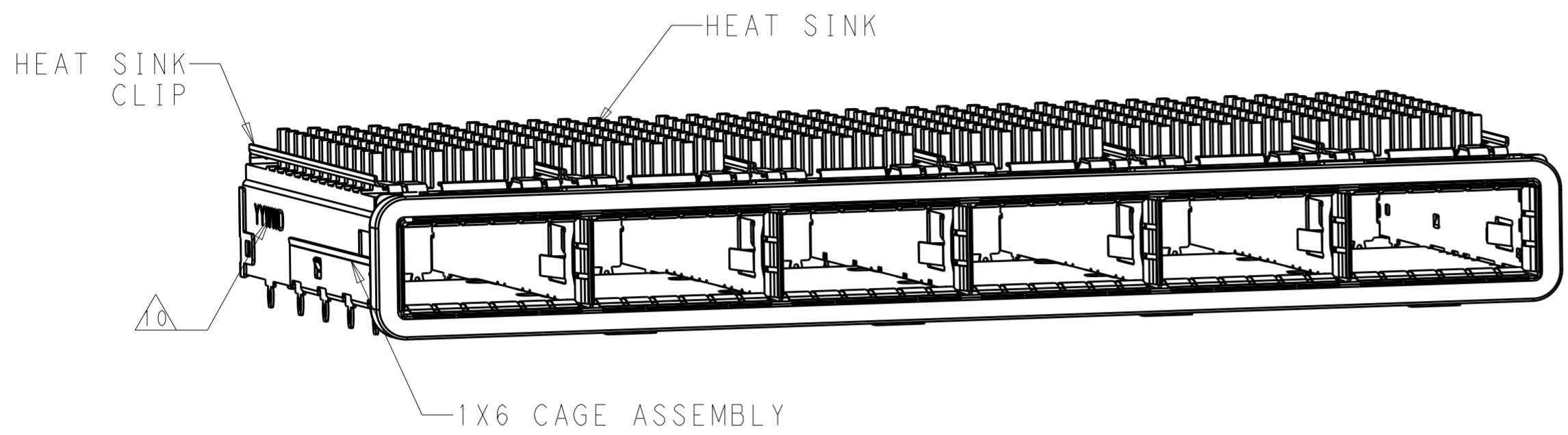
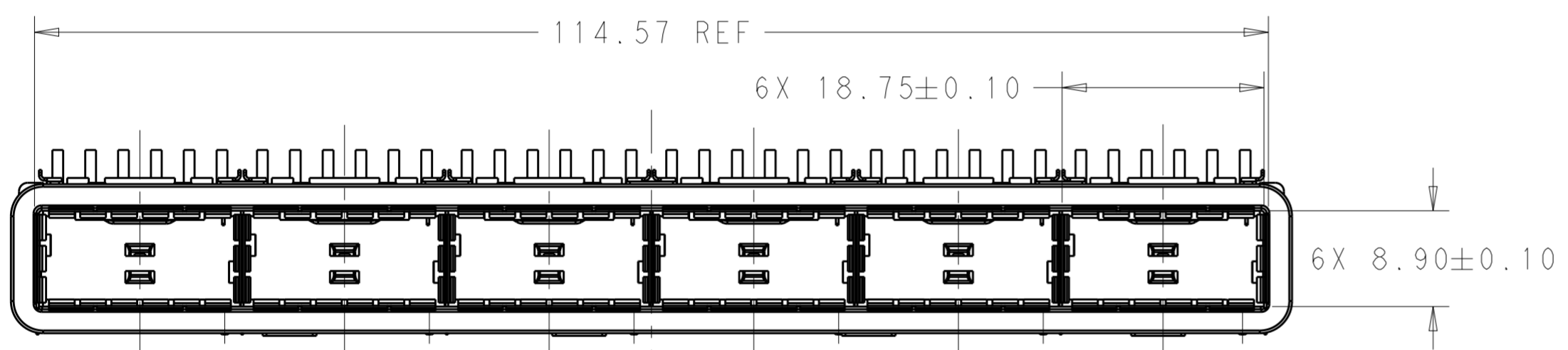


THIS DRAWING IS UNPUBLISHED. RELEASED FOR PUBLICATION 20
 © COPYRIGHT 20 BY - ALL RIGHTS RESERVED.

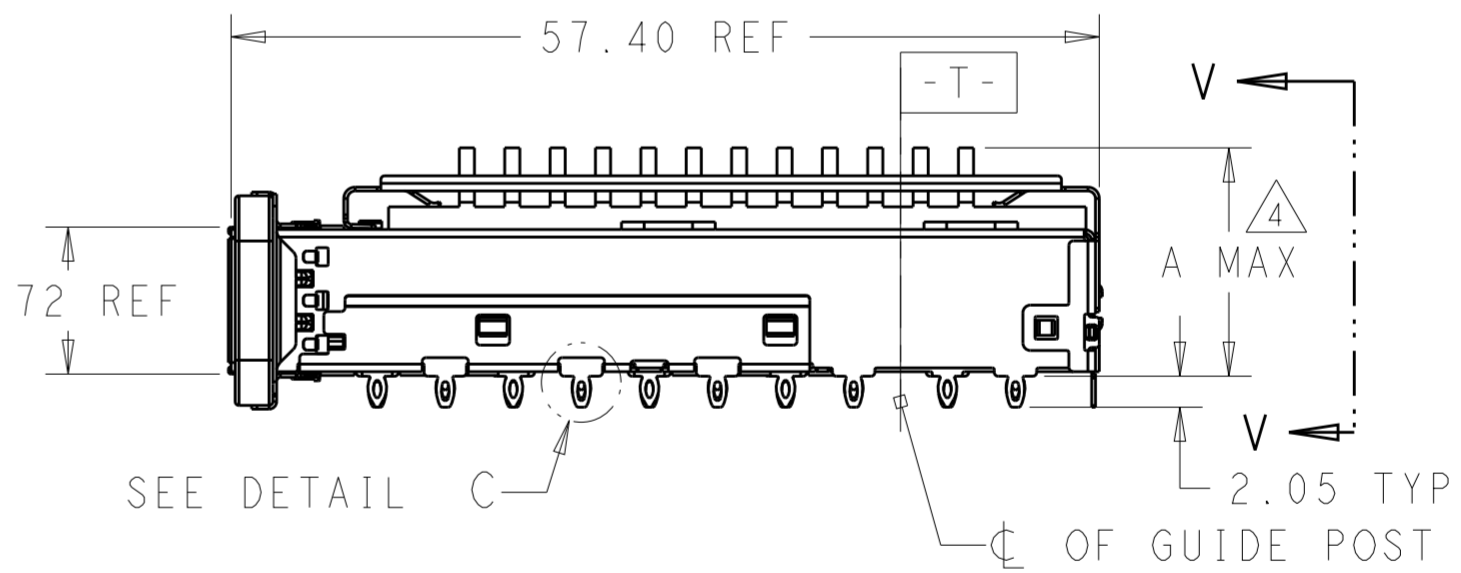
REVISIONS				
P	LTR	DESCRIPTION	DATE	APVD
1		PRELIMINARY	24OCT2013	JY



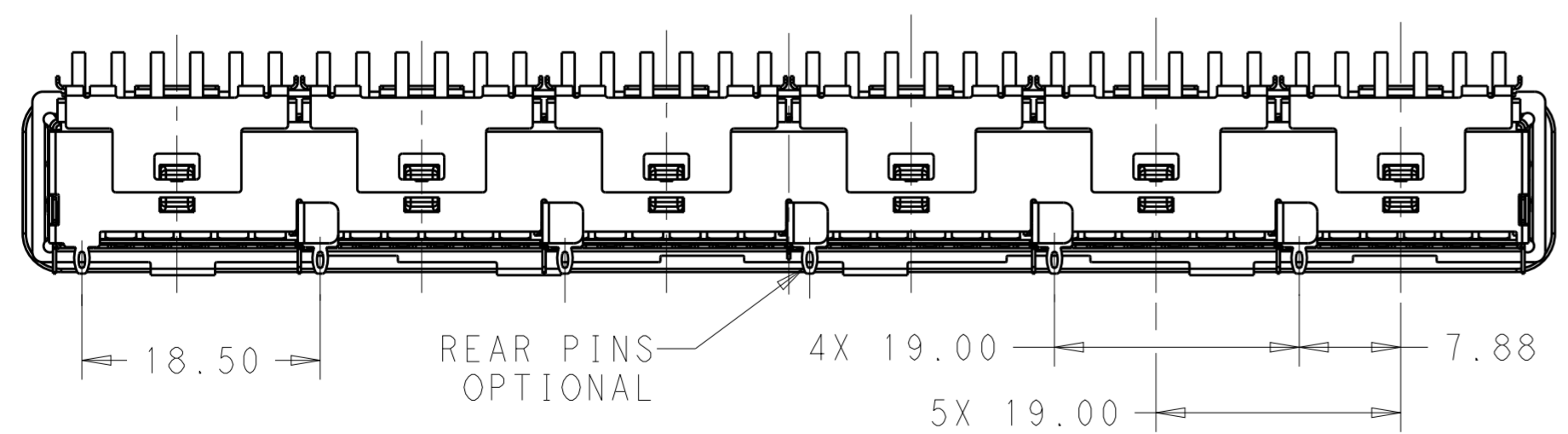
- COMPONENTS
 CAGE ASSEMBLY: NICKEL-SILVER ALLOY
 HEAT SINK: ALUMINUM/BLACK ANODIZE
 HEAT SINK CLIP: STAINLESS STEEL
 EMI SPRING: COPPER ALLOY/NICKEL PLATE
 EMI GASKET: PLATED FILLED SILICONE WITH 94 V-0
- REFERENCE APPLICATION SPECIFICATION 114-***** FOR RECOMMENDED DRILL HOLE DIAMETER AND PLATING THICKNESS
- DATUM AND BASIC DIMENSION ESTABLISHED BY CUSTOMER
- DIMENSION APPLIES WITH MODULE INSERTED IN CAGE
- HEAT SINKS, HEAT SINK CLIPS AND LIGHT PIPES ARE SHIPPED ASSEMBLED ON CAGE
- MINIMUM PC BOARD THICKNESS: SINGLE SIDED: 1.57 MIN
DOUBLE SIDED: 3.00 MIN
- DATUM **-A-** IS TOP SURFACE OF THE HOST BOARD.
- THESE HOLES ARE OPTIONAL WHEN THE REAR PINS ARE REMOVED.
- MATES WITH QSFP28 MSA COMPATIBLE TRANSCEIVER.
- DATE CODE (YYWWD) MARKED APPROXIMATELY AS SHOWN.



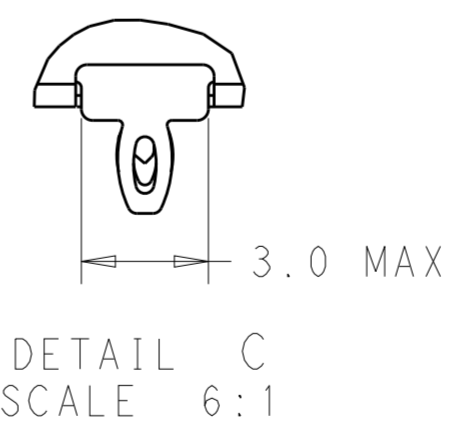
SCALE 2:1



SEE DETAIL C



SECTION V-V
SCALE 2:1



23.0	WITHOUT	NETWORKING	2170723-6
16.0	WITHOUT	SAN	2170723-5
13.7	WITHOUT	PCI	2170723-4
23.0	WITH	NETWORKING	2170723-3
16.0	WITH	SAN	2170723-2
13.7	WITH	PCI	2170723-1
DIM A	REAR PINS OPTIONAL	APPLICATION	PART NUMBER

PRELIMINARY PART- NOT RELEASED FOR PRODUCTION

THIS DRAWING IS A CONTROLLED DOCUMENT.

DWN: JASON YANG 24OCT2013
 CHK: -
 APVD: -

NAME: CAGE ASSEMBLY, 1X6 QSFP28 WITH HEAT SINKS THRU BEZEL, GASKET

PRODUCT SPEC: -
 APPLICATION SPEC: -
 WEIGHT: -

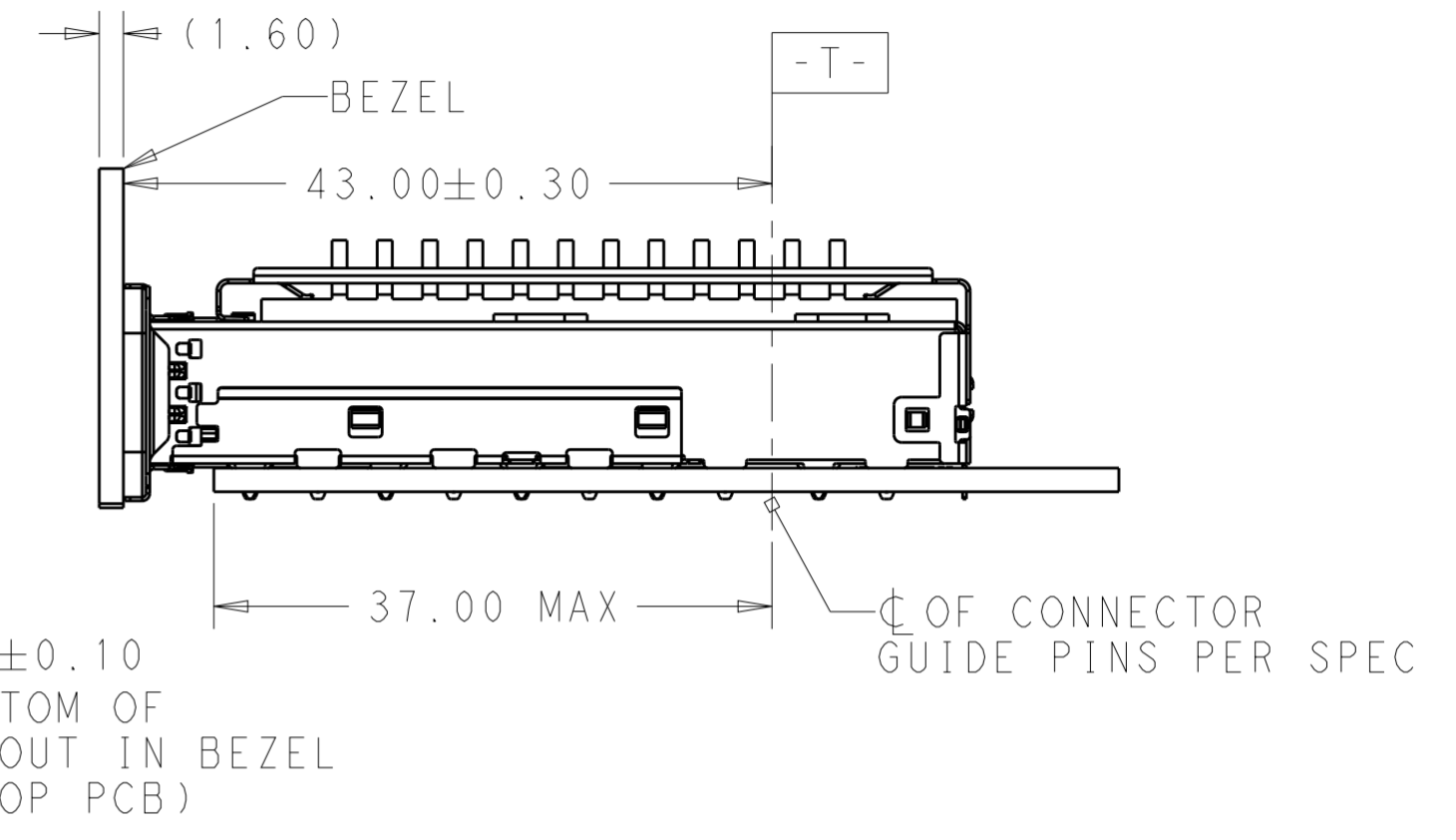
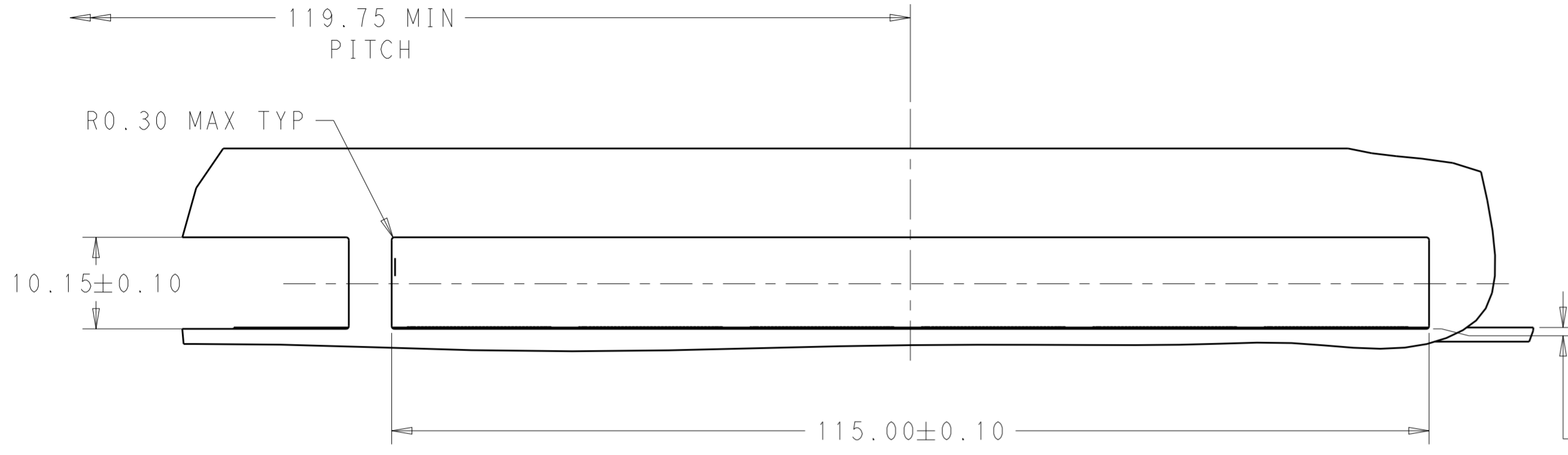
SIZE: A2
 CAGE CODE: 00779
 DRAWING NO: C-2170723

RESTRICTED TO: -

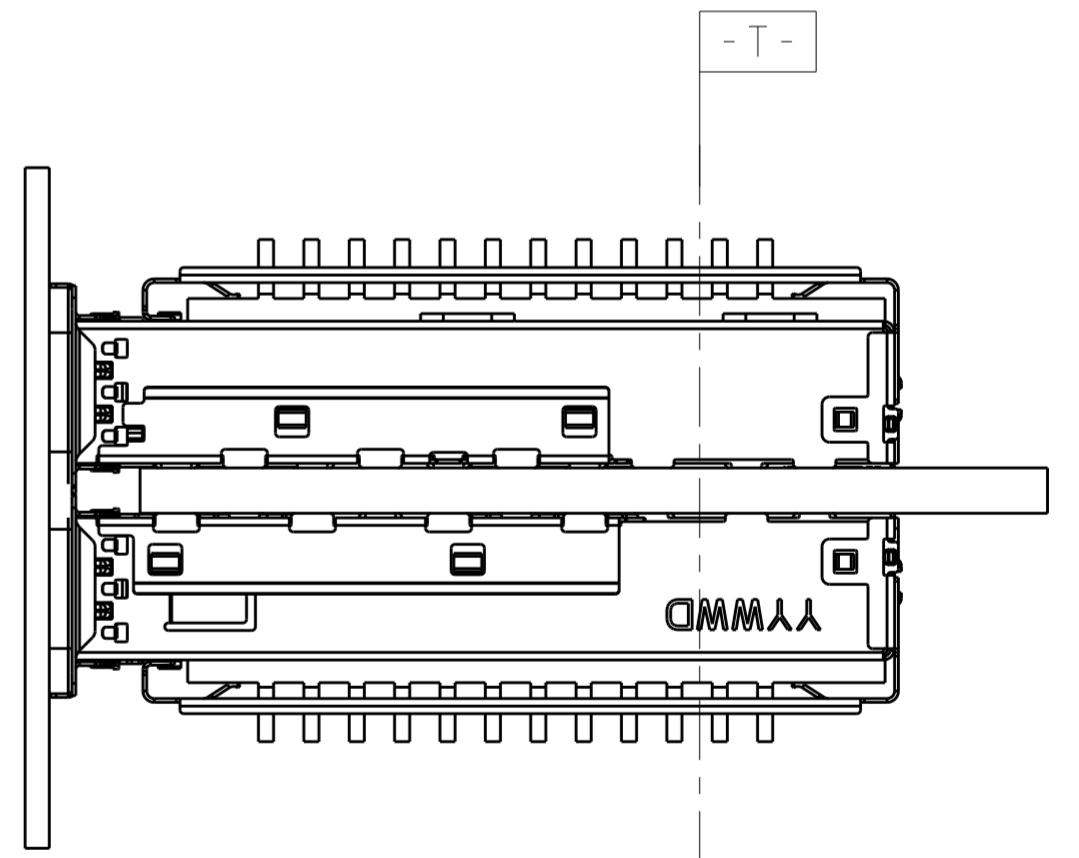
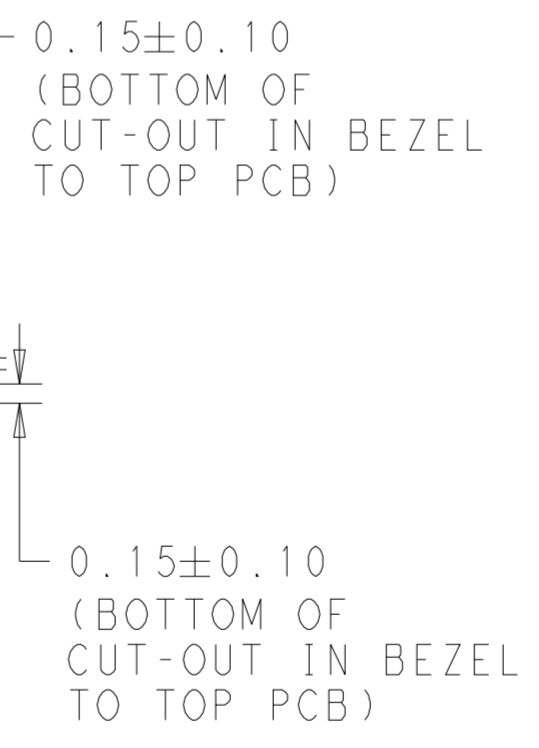
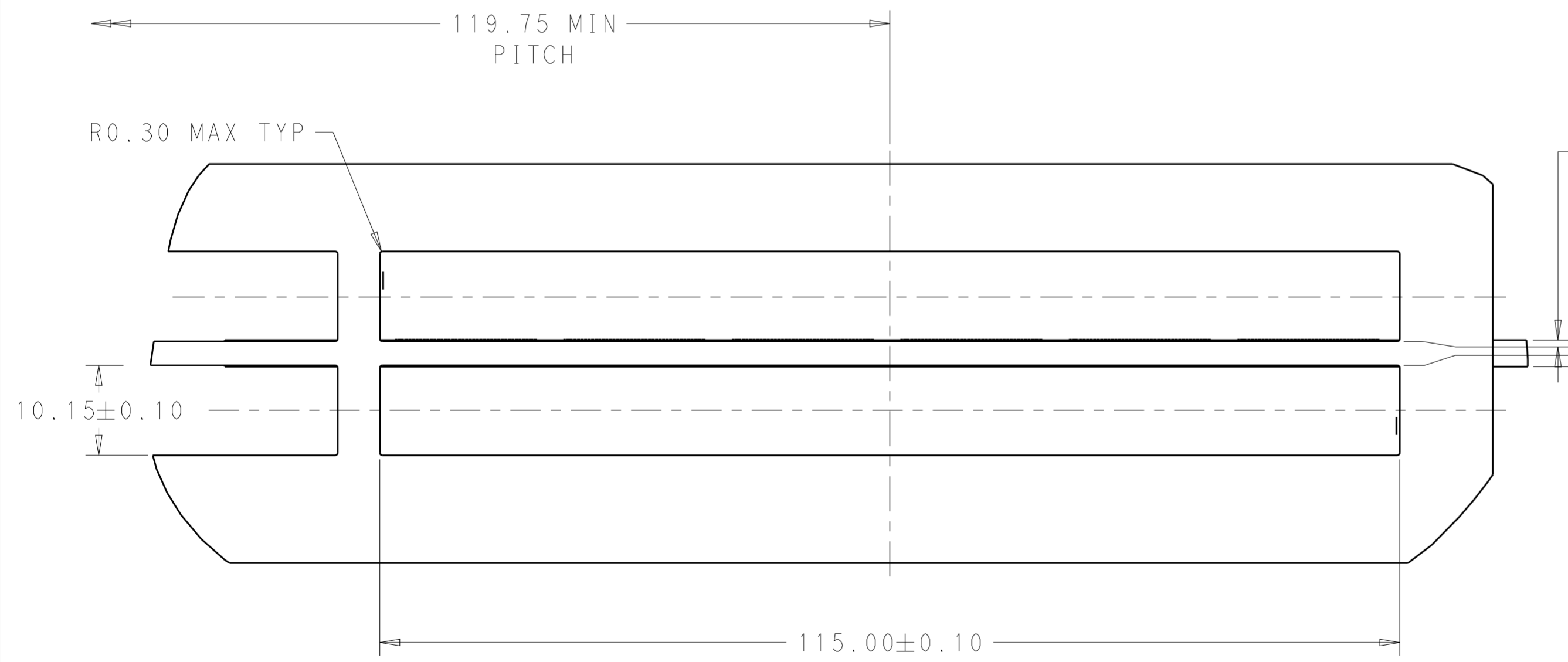
Customer Drawing SCALE 3:1 SHEET 1 OF 5 REV 1

THIS DRAWING IS UNPUBLISHED. RELEASED FOR PUBLICATION 20
 © COPYRIGHT 20 BY - ALL RIGHTS RESERVED.

REVISIONS				
P	LTR	DESCRIPTION	DATE	APVD
-	-	SEE SHEET 1	-	-



SINGLE SIDE MOUNTING
SCALE 2:1



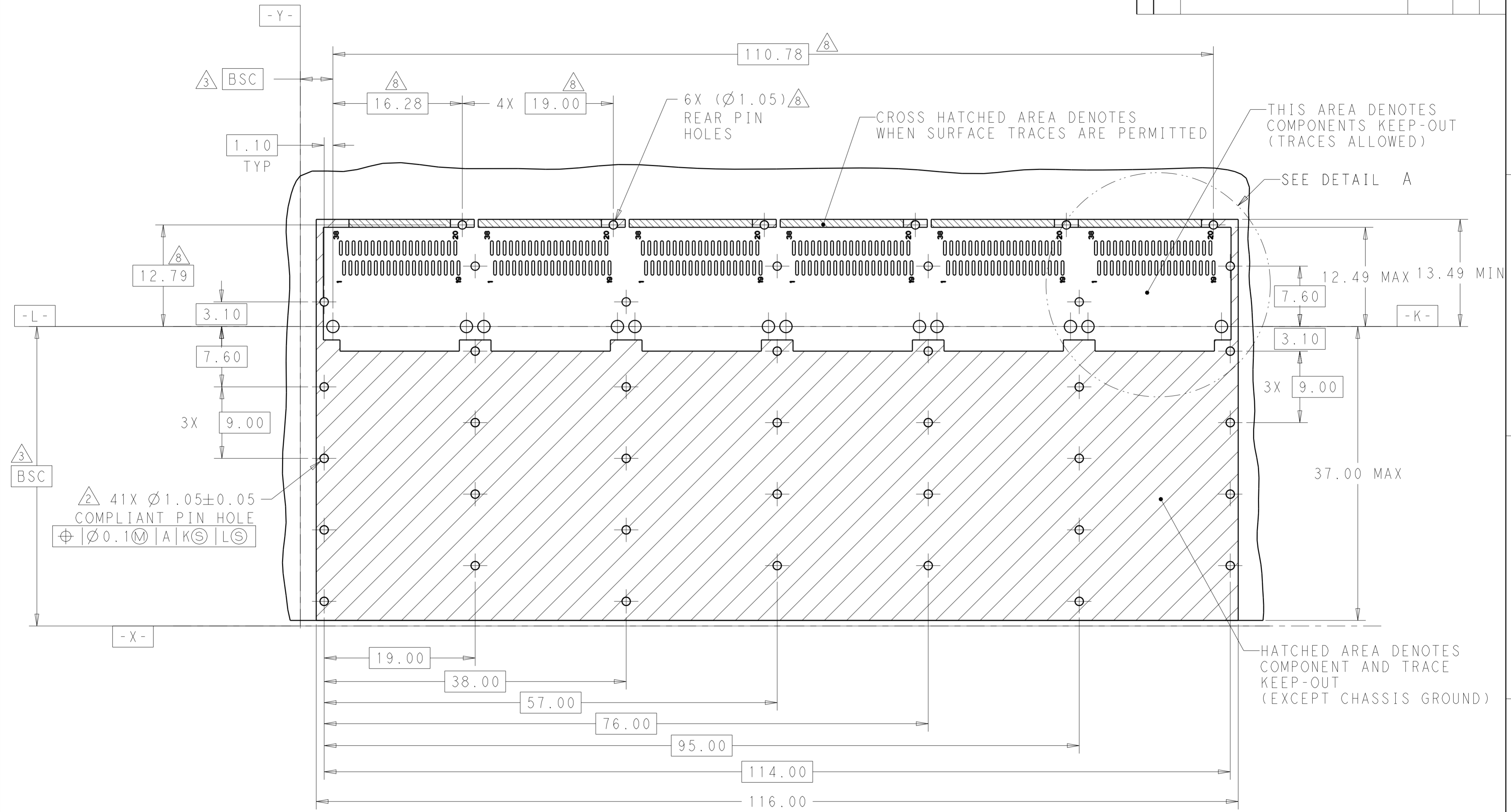
BELLY TO BELLY MOUNTING
SCALE 2:1

PRELIMINARY PART- NOT RELEASED FOR PRODUCTION

THIS DRAWING IS A CONTROLLED DOCUMENT.		DWN 24OCT2013 JASON YANG	TE Connectivity	
DIMENSIONS: mm		CHK -		
TOLERANCES UNLESS OTHERWISE SPECIFIED:		APVD -	CAGE ASSEMBLY, 1X6 QSFP28 WITH HEAT SINKS THRU BEZEL, GASKET	
0 PLC ±	1 PLC ±0.25	PRODUCT SPEC -	SIZE	
2 PLC ±0.2	3 PLC ±	APPLICATION SPEC -	CAGE CODE	
4 PLC ±	ANGLES ±	WEIGHT -	DRAWING NO	
MATERIAL SEE NOTES	FINISH SEE NOTES	Customer Drawing	A200779	
		SCALE 3:1	SHEET 2 OF 5	
		REV 1	RESTRICTED TO -	

THIS DRAWING IS UNPUBLISHED. RELEASED FOR PUBLICATION 20
 © COPYRIGHT 20 BY - ALL RIGHTS RESERVED.

REVISIONS				
P	LTR	DESCRIPTION	DATE	APVD
-	-	SEE SHEET 1	-	-

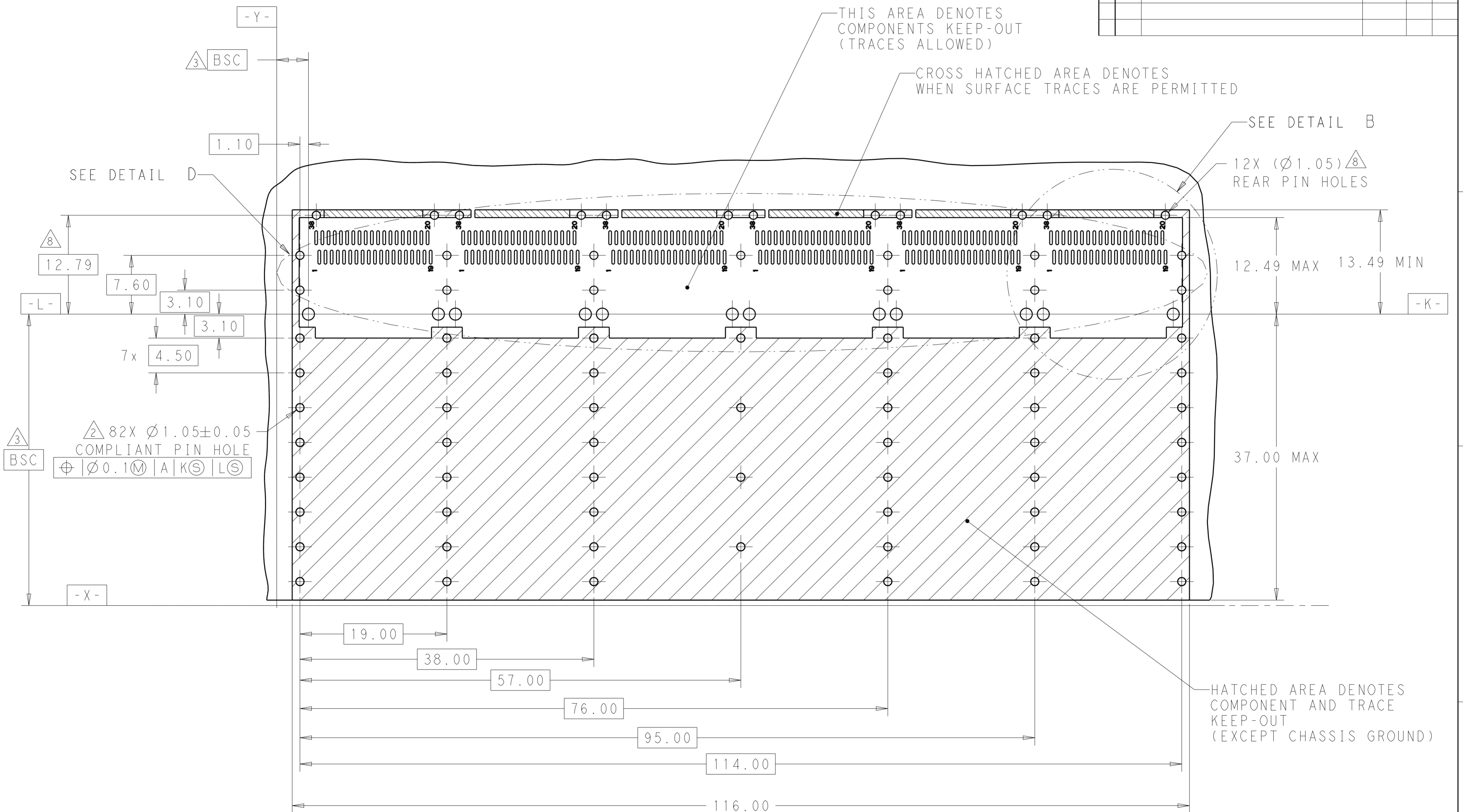


RECOMMENDED PCB LAYOUT
 SINGLE TYPE
 PCB TOLERANCE: ±0.05
 SCALE 3:1

THIS DRAWING IS A CONTROLLED DOCUMENT.		DWN 24OCT2013 JASON YANG	TE Connectivity	
DIMENSIONS: mm		CHK -		
TOLERANCES UNLESS OTHERWISE SPECIFIED:		APVD -	PRODUCT SPEC	CAGE ASSEMBLY, 1X6 QSFP28 WITH HEAT SINKS THRU BEZEL, GASKET
0 PLC ±-	1 PLC ±0.25	PRODUCT SPEC -	APPLICATION SPEC -	SIZE
2 PLC ±0.2	3 PLC ±-	APPLICATION SPEC -	WEIGHT -	CAGE CODE
4 PLC ±-	ANGLES ±-	WEIGHT -	Customer Drawing	DRAWING NO
MATERIAL SEE NOTES	FINISH SEE NOTES	SCALE 3:1	SHEET 3 OF 5	RESTRICTED TO
		Customer Drawing	SCALE 3:1	REV 1

THIS DRAWING IS UNPUBLISHED. RELEASED FOR PUBLICATION 20
 © COPYRIGHT 20 BY - ALL RIGHTS RESERVED.

REVISIONS				
P	LTR	DESCRIPTION	DATE	APVD
-	-	SEE SHEET 1	-	-



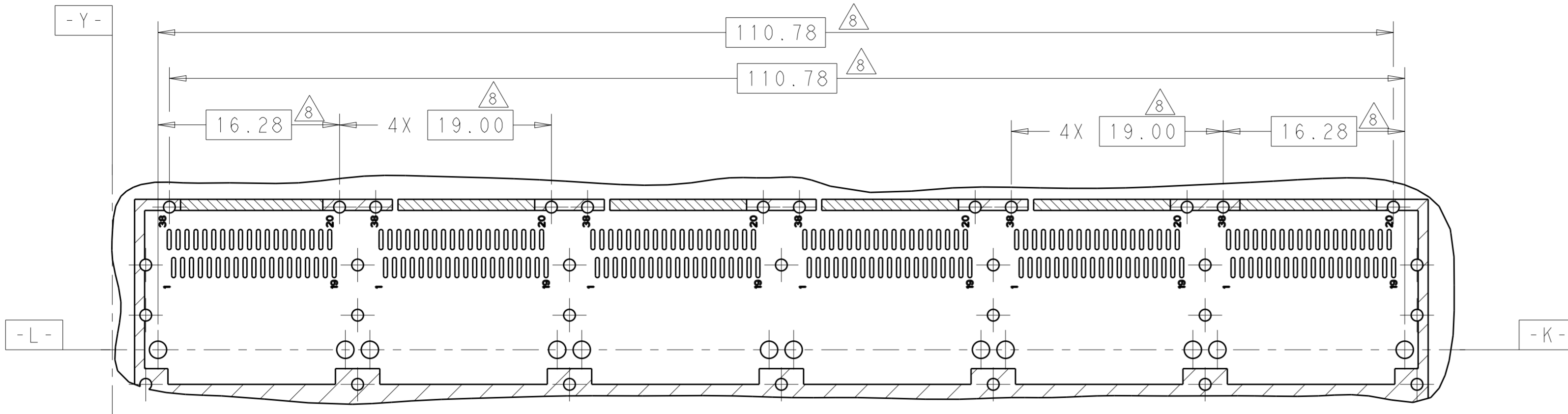
RECOMMENDED PCB LAYOUT
 BELLY TO BELLY TYPE
 PCB TOLERANCE: ±0.05
 SCALE 3:1

PRELIMINARY PART- NOT RELEASED FOR PRODUCTION

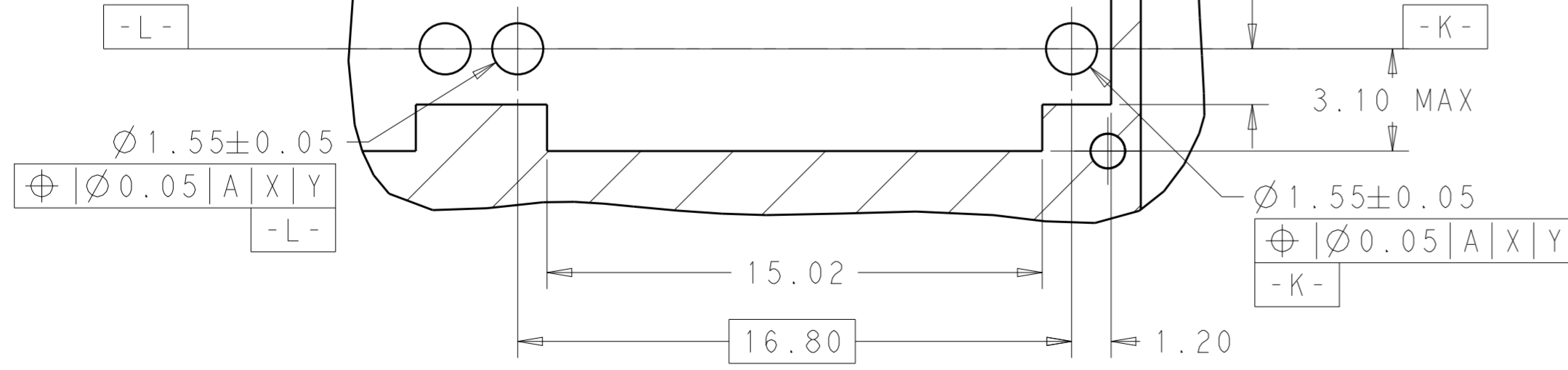
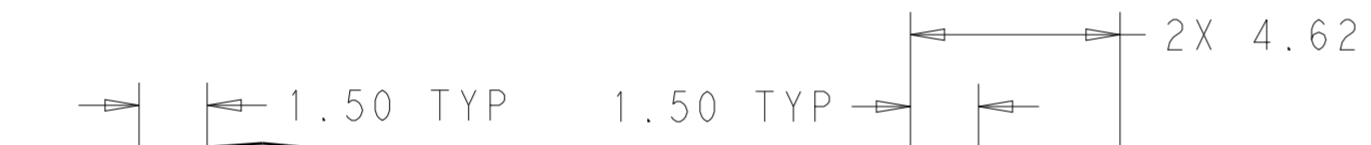
THIS DRAWING IS A CONTROLLED DOCUMENT.		DWN 24OCT2013 JASON YANG	TE Connectivity	
DIMENSIONS: mm		CHK -		
TOLERANCES UNLESS OTHERWISE SPECIFIED:		APVD -	PRODUCT SPEC	
0 PLC ±	1 PLC ±0.25	APPLICATION SPEC	CAGE ASSEMBLY, 1X6 QSFP28 WITH HEAT SINKS THRU BEZEL, GASKET	
2 PLC ±0.2	3 PLC ±	WEIGHT -	SIZE CAGE CODE DRAWING NO RESTRICTED TO	
4 PLC ±	ANGLES ±	Customer Drawing	A200779 C-2170723	
FINISH	SEE NOTES	SCALE 3:1	SHEET 4 OF 5 REV 1	

THIS DRAWING IS UNPUBLISHED. RELEASED FOR PUBLICATION 20
 © COPYRIGHT 20 BY - ALL RIGHTS RESERVED.

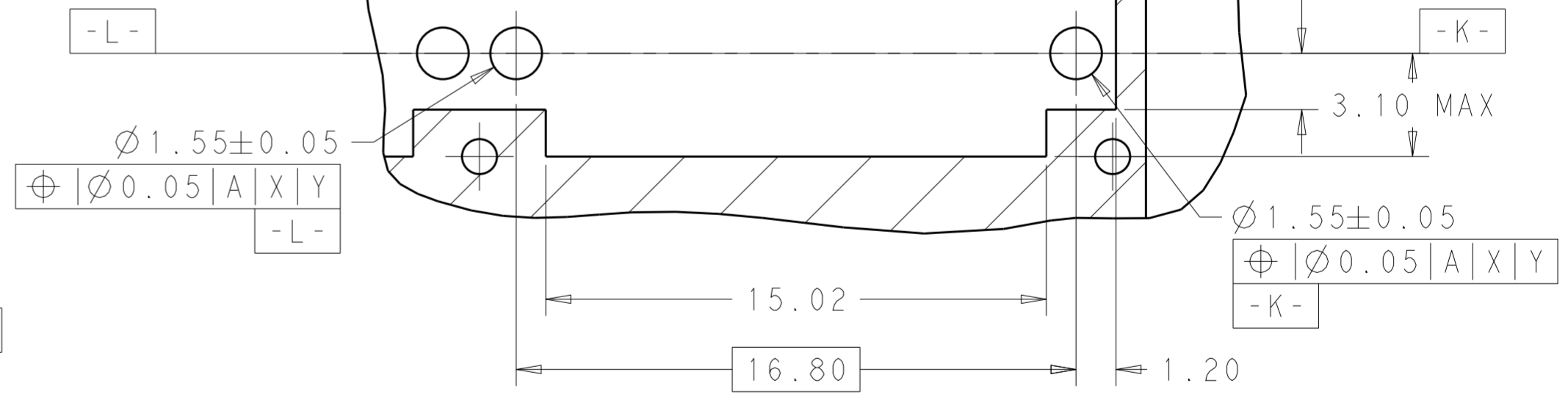
REVISIONS				
P	LTR	DESCRIPTION	DATE	APVD
-	-	SEE SHEET 1	-	-



DETAIL D
SCALE 3:1



DETAIL A
SCALE 6:1



DETAIL B
SCALE 6:1

THIS DRAWING IS A CONTROLLED DOCUMENT.		DWN 24OCT2013 JASON YANG	TE Connectivity	
DIMENSIONS: mm		CHK -		
TOLERANCES UNLESS OTHERWISE SPECIFIED:		APVD -	PRODUCT SPEC	CAGE ASSEMBLY, 1X6 QSFP28 WITH HEAT SINKS THRU BEZEL, GASKET
0 PLC ±		APPLICATION SPEC	SIZE	A200779
1 PLC ±0.25		WEIGHT	CAGE CODE	C-2170723
2 PLC ±0.2		Customer Drawing	DRAWING NO	RESTRICTED TO
3 PLC ±		SCALE 3:1	SHEET 5 OF 5	REV 1
4 PLC ±				
ANGLES ±				
FINISH				
MATERIAL SEE NOTES				
SEE NOTES				

PRELIMINARY PART- NOT RELEASED FOR PRODUCTION