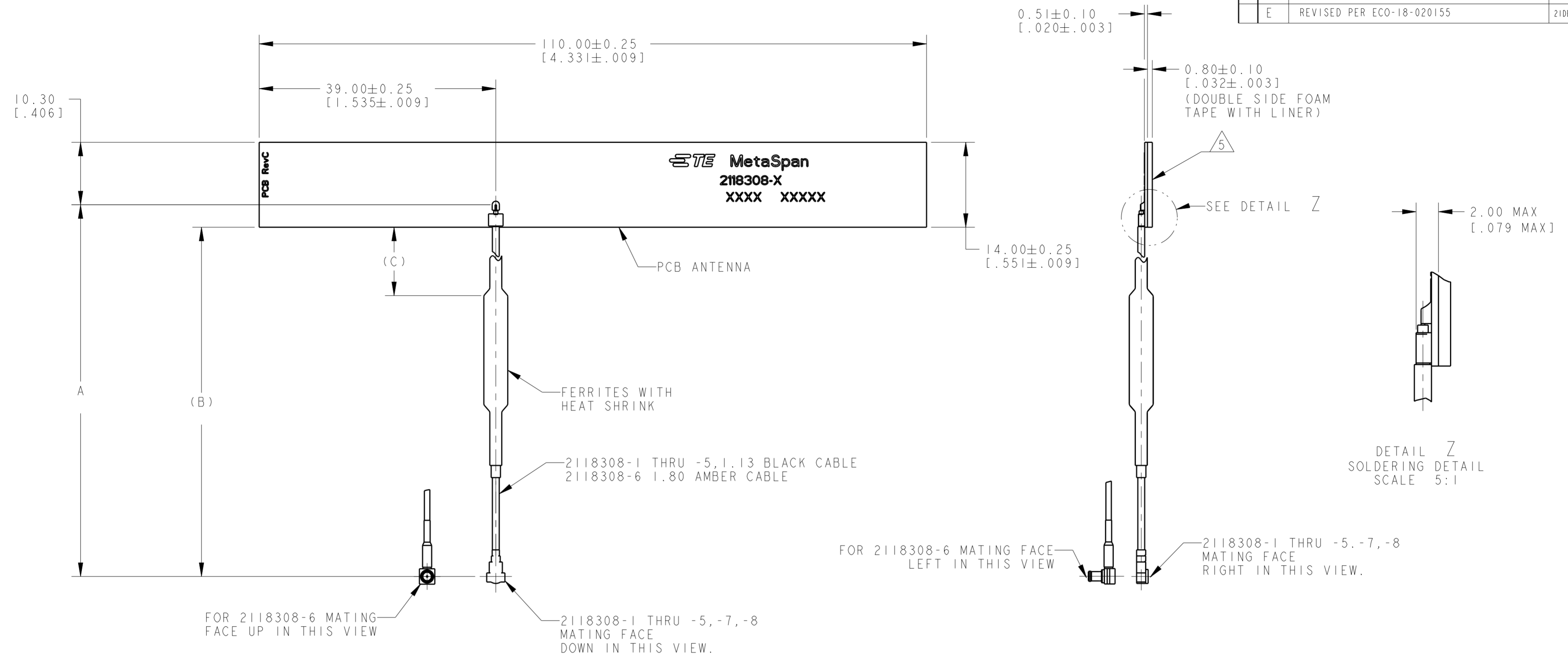


THIS DRAWING IS UNPUBLISHED. RELEASED FOR PUBLICATION 20
 BY TYCO ELECTRONICS CORPORATION ALL RIGHTS RESERVED.

LOC	DIST	REVISIONS			
P	LTR	DESCRIPTION	DATE	DWN	APVD
00	AJ	B	REVISED PER ECO-15-012167	03AUG2015	AP JM
		C	REVISED PER ECO-17-011737	11AUG2017	AH AC
		D	REVISED PER ECO-18-000287	03JAN2018	CR JLM
		E	REVISED PER ECO-18-020155	21DEC2018	CR CR



- PRODUCT AND PROCESSING MEETS THE REQUIREMENTS OF TE CONNECTIVITY ENVIRONMENTAL STANDARD TEC-138-702. LOW HALOGEN: CODE2:LOW Br/Cl PER TEC-138-702
- MINIMUM IDENTIFICATION INCLUDES: TE LOGO, MetaSpan, TE ASSEMBLY PART NUMBER, AND FOUR DIGIT DATE CODE (FIRST 2 DIGITS FOR THE WEEK CODE AND THE 2ND TWO DIGITS FOR THE YEAR CODE). PCB REVISION AT SEPARATE LOCATION.
- MATERIALS: PCB MATERIAL TOTAL THICKNESS: 0.51 [.020], SINGLE SIDE, 1/2 OUNCE COPPER.
- OVERPLATING: PLATING ON EXPOSED COPPER AREAS TO BE E.N.I.G. FINISH.
- REMOVE LINER FROM DOUBLE SIDED FOAM TAPE 3M VHB RP32 TO APPLY ANTENNA IN APPLICATION.
- PRODUCT PACKAGED IN A BAG.
- CUSTOMER SPECIFIC REQUIRED LABELS TO BE PLACED ON BAGS AND BOXES
- THIS PART IS SPECIAL PACKAGED AND IS NOT FOR GENERAL SALES. USE "-3" VERSION FOR GENERAL SALES.

7 8

MHF	175	286.3	290	2118308-8
MHF	70.0	146.30 (5.759)	150.00 (5.905)	2118308-7
MCX RA PLUG	40.0	190.0(7.48)	193.7(7.626)	2118308-6
MHF	70.0	200.0(7.874)	203.7(8.02)	2118308-5
MHF	70.0	496.30(19.539)	500.00(19.685)	2118308-4
MHF	70.0	146.30(5.759)	150.00(5.905)	2118308-3
MHF4L	70.0	116.30(4.579)	120.00(4.724)	2118308-2
MHF	70.0	116.30(4.579)	120.00(4.724)	2118308-1
(CONNECTOR TYPE)	C REF	B REF	A ±5.00 (±.196)	PART NUMBER

THIS DRAWING IS A CONTROLLED DOCUMENT.

DIMENSIONS: mm [INCHES]	TOLERANCES UNLESS OTHERWISE SPECIFIED: 0 PLC ± 1 PLC ± 2 PLC ± 3 PLC ± 4 PLC ± ANGLES ± FINISH	DWN K. FOLTZ 01MAR2013 CHK G. GRIFFLTH 04MAR2013 APVD G. GRIFFLTH 04MAR2013	NAME 4 G WORLD BAND MetaSpan CABLED PCB GP INDEPENDENT
MATERIAL		PRODUCT SPEC APPLICATION SPEC	SIZE CAGE CODE DRAWING NO RESTRICTED TO A200779 C-2118308
		WEIGHT	SCALE SHEET OF REV E

CUSTOMER DRAWING