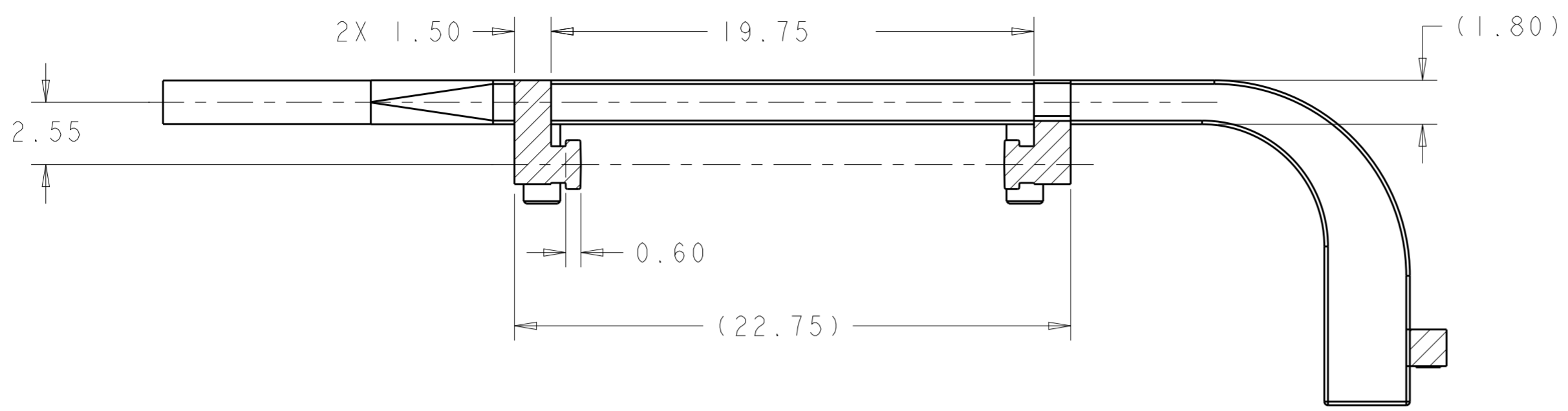


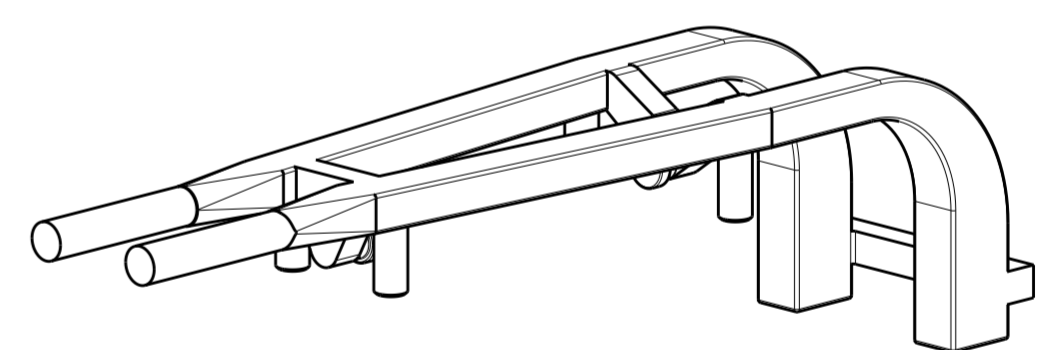
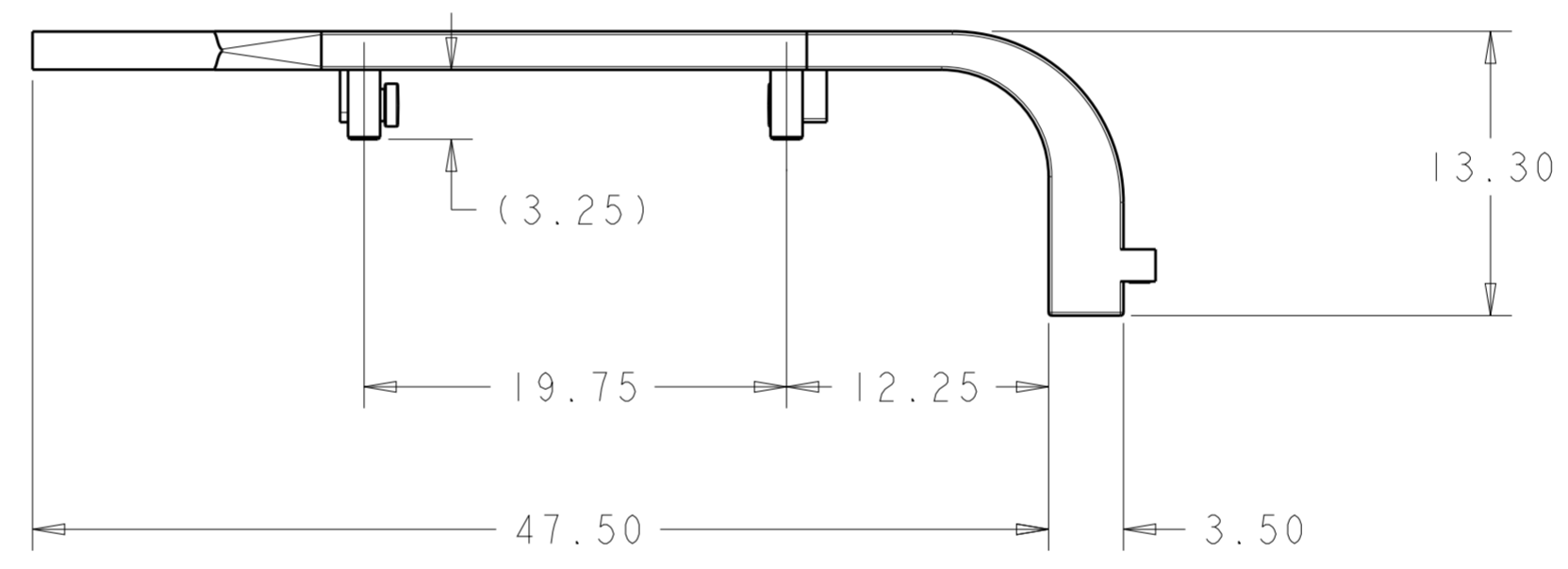
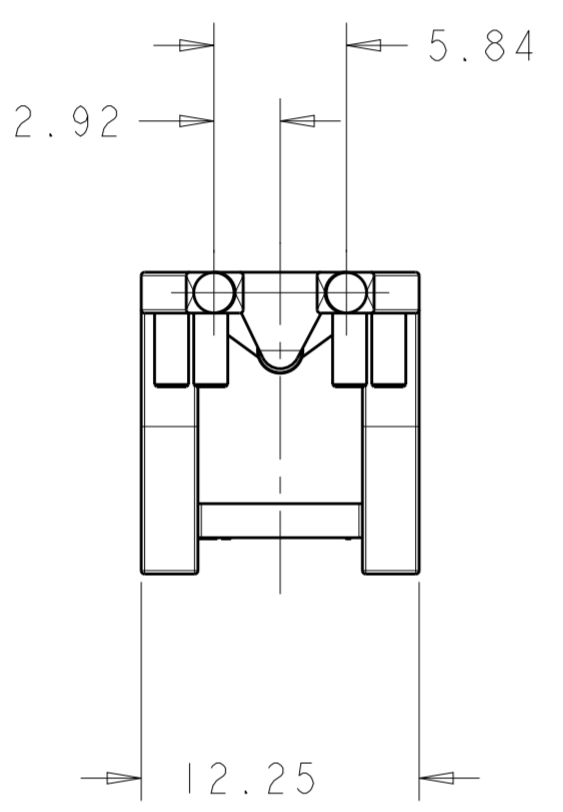
THIS DRAWING IS UNPUBLISHED. RELEASED FOR PUBLICATION
 © COPYRIGHT copyright.d8re- ALL RIGHTS RESERVED.

LOC		DIST		REVISIONS			
P	LTR	DESCRIPTION	DATE	DWN	APVD		
	1	INITIAL	256AUG2014	PP	SH		

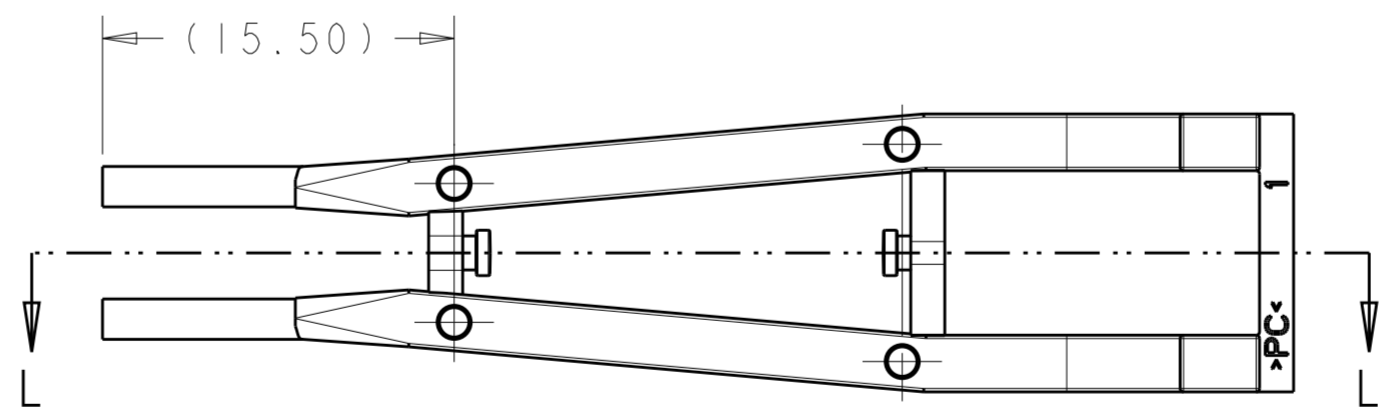


1. MATERIAL: POLYCARBONATE

SECTION L-L
SCALE 5:1



2057500-1



2057500-1
PART NUMBER

THIS DRAWING IS A CONTROLLED DOCUMENT.		DWN	26AUG2014	TE Connectivity PRELIMINARY	
DIMENSIONS:		CHK	26AUG2014		
mm		APVD	26AUG2014		
		NAME	SEAN HAN		
TOLERANCES UNLESS OTHERWISE SPECIFIED:		PRODUCT SPEC		SFP+ LIGHT PIPE REDUCED LENGTH	
0 PLC	± -	APPLICATION SPEC		SIZE	CAGE CODE
1 PLC	± 0.25			A2	00779
2 PLC	± 0.20			DRAWING NO	2057500
3 PLC	± 0.15			RESTRICTED TO	
4 PLC	± -				
ANGLES	± 5°	WEIGHT		SCALE	3:1
FINISH		CUSTOMER DRAWING		SHEET	OF