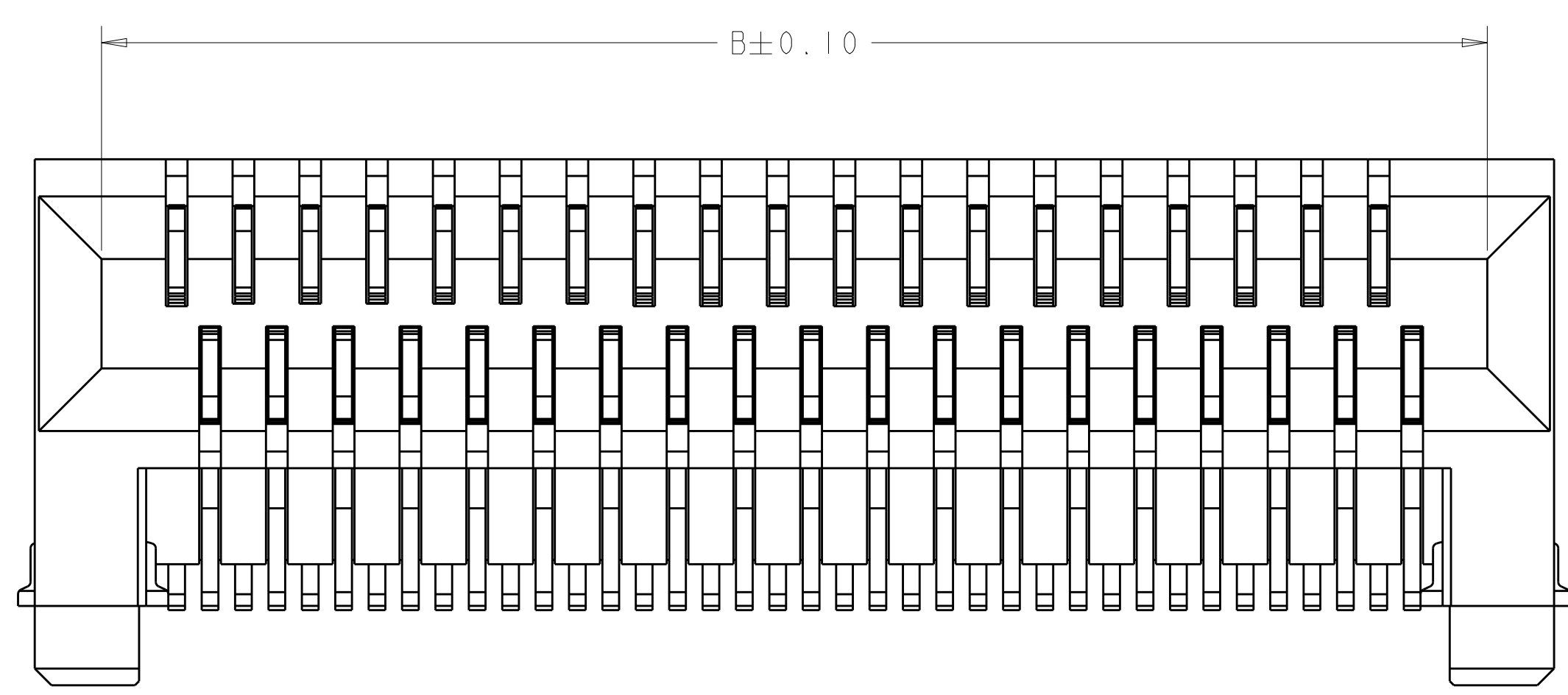
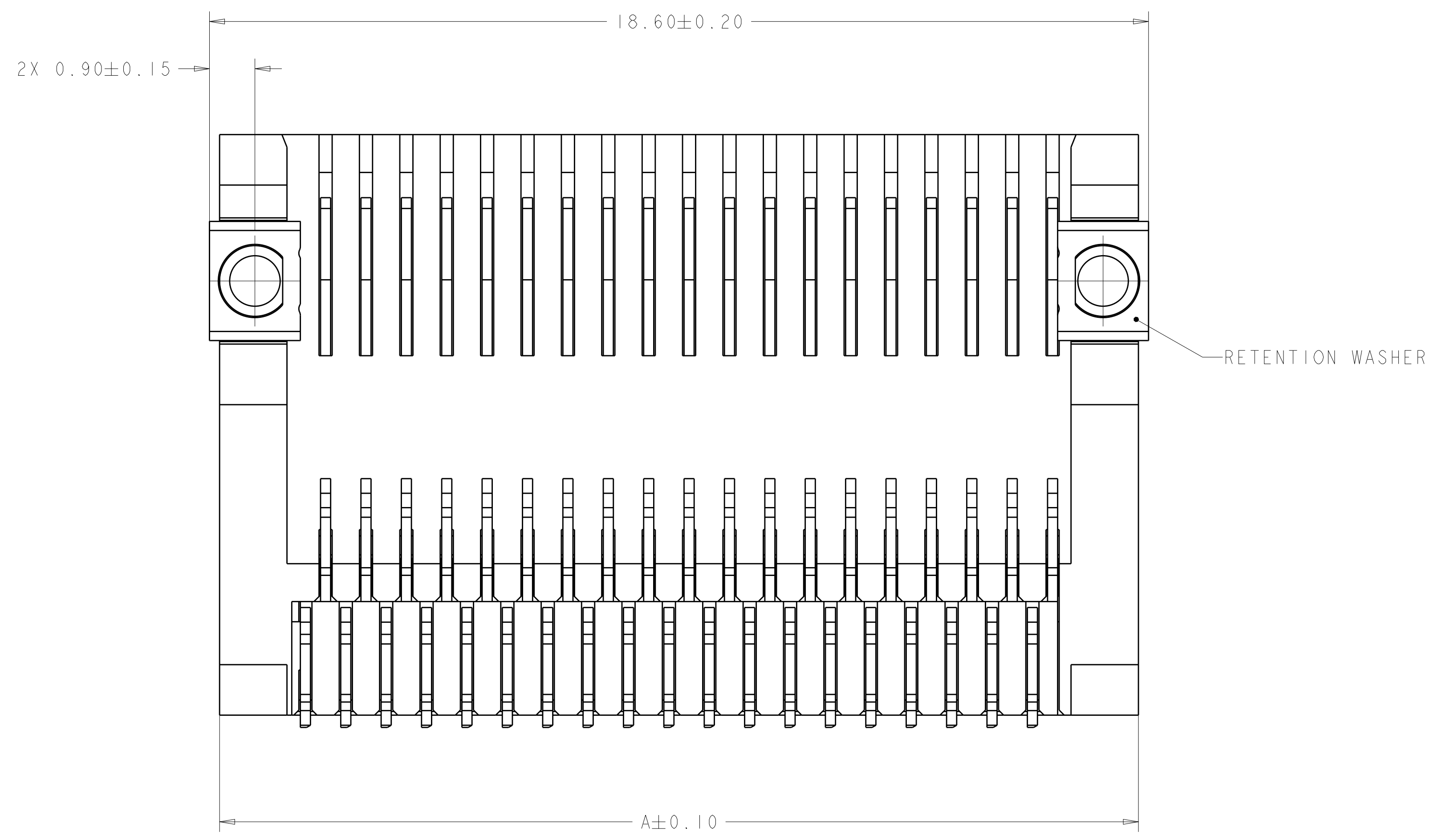
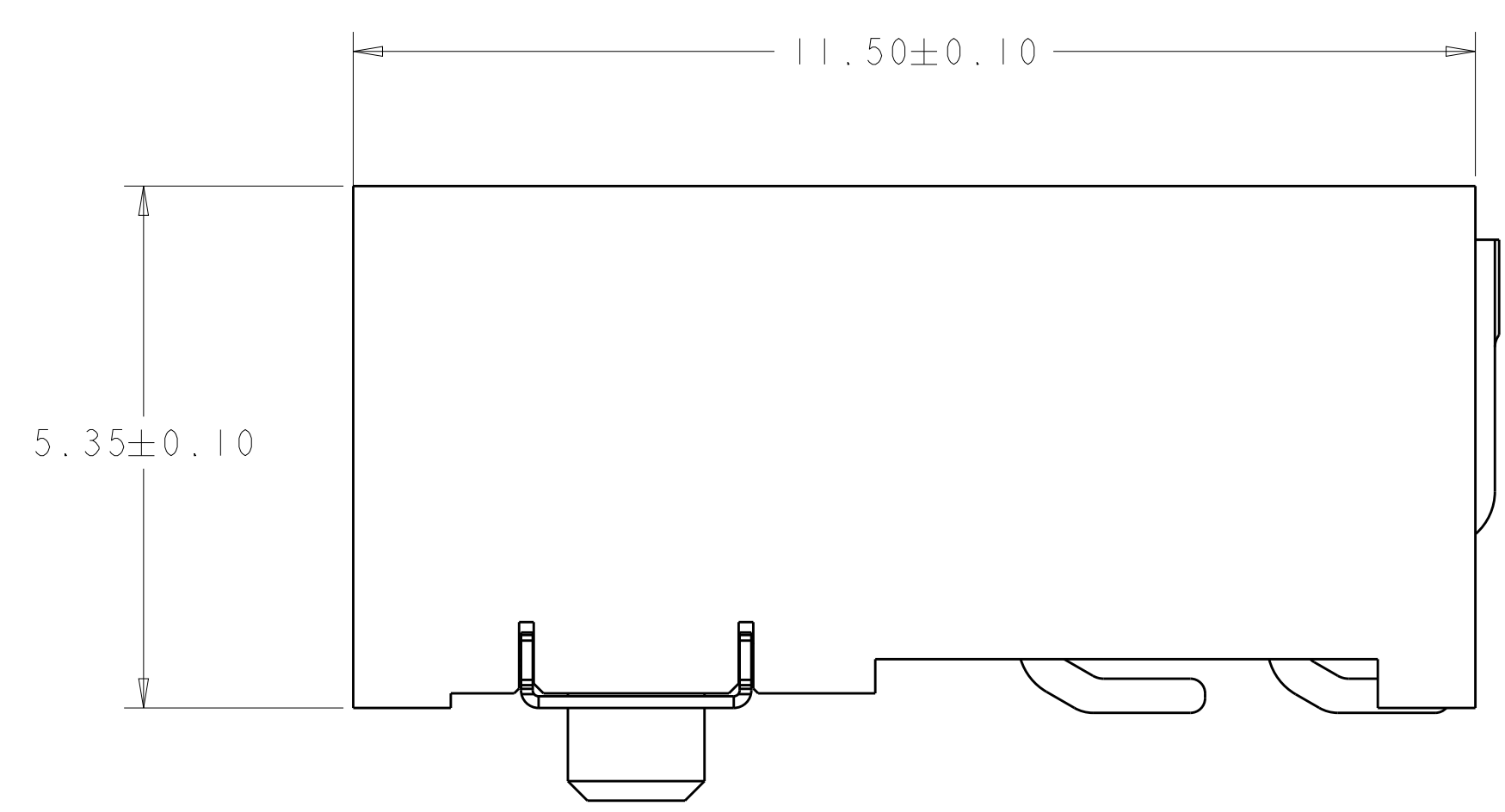


| REVISIONS | | | | |
|-----------|-----|-------------|------|------|
| P. | LTN | DESCRIPTION | DATE | APVD |
| - | - | SEE SHEET 1 | - | - |
| | | | | |
| | | | | |



SCALE 15:1

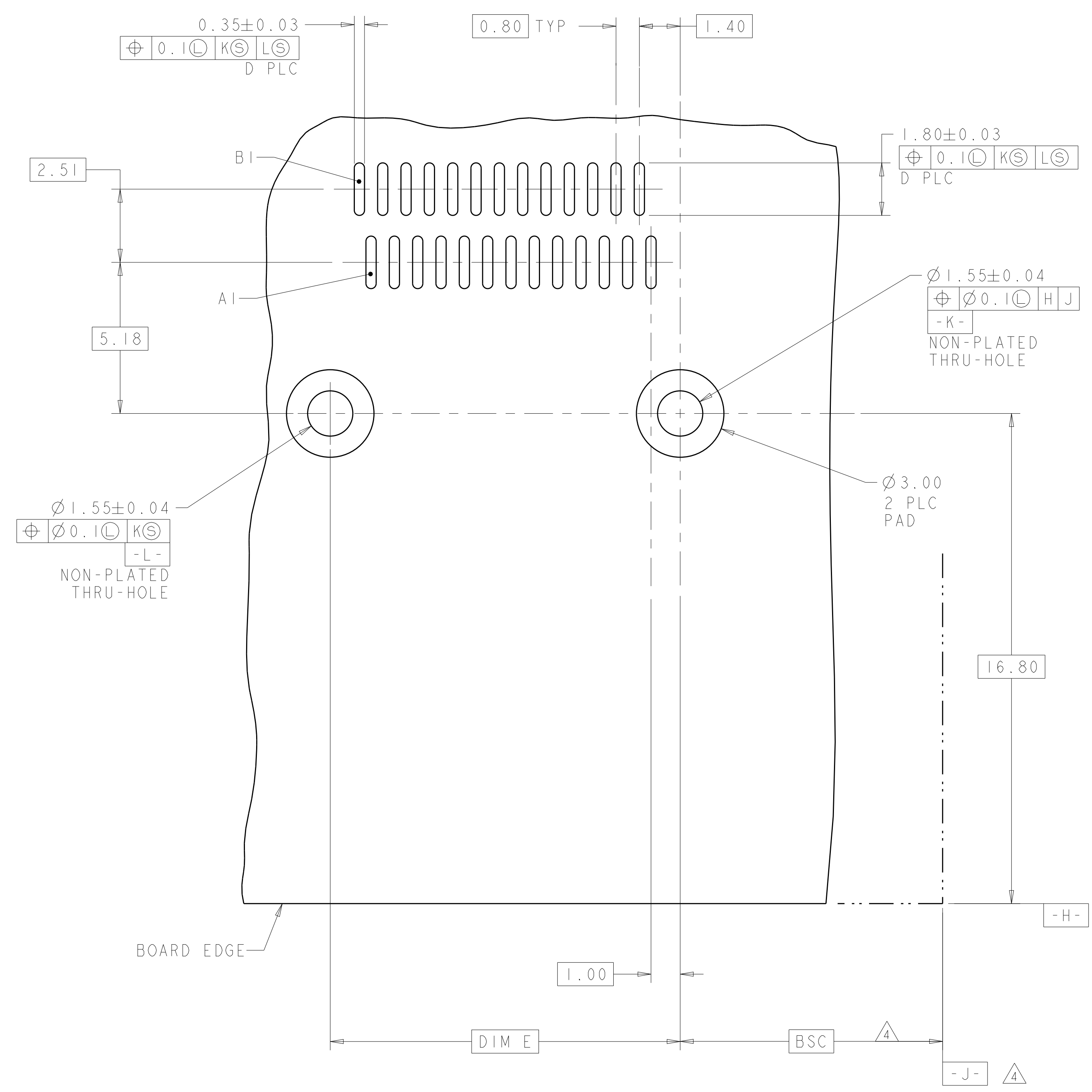


UN-SPECIFIED DIMENSION ALL REFER TO SHEET 1

| | | | | | | | | | |
|--------|----|----|------|----|-----|------|------|-------------|-------------|
| △8 | △5 | 38 | 16.8 | 38 | 8.4 | 16.6 | 18.1 | 38 | 2-2007570-6 |
| | △5 | 38 | 16.8 | 38 | 8.4 | 16.6 | 18.1 | 38 | 1-2007570-6 |
| | △3 | 38 | 16.8 | 38 | 8.4 | 16.6 | 18.1 | 38 | 2007570-7 |
| FINISH | F | E | D | C | B | A | POSN | PART NUMBER | |

| | | | |
|---|--|--------------------------------|--|
| THIS DRAWING IS A CONTROLLED DOCUMENT. | | DWN J. POLIGNONE 17JAN08 | TE Connectivity |
| DIMENSIONS: mm | | CHK E. BRIGHT 17JAN08 | |
| TOLERANCES UNLESS OTHERWISE SPECIFIED: | | APVD E. BRIGHT 17JAN08 | NAME EVERCLEAR Mini-SAS, CONNECTOR ASSEMBLY, RECEPTACLE, RIGHT ANGLE, SURFACE MOUNT |
| 0 PLC ± 1 PLC ±0.25 2 PLC ±0.13 3 PLC ± 4 PLC ± ANGLES ± FINISH ± | | PRODUCT SPEC | SIZE A100779C=2007570 |
| MATERIAL TBD | | APPLICATION SPEC | RESTRICTED TO |
| | | WEIGHT | CUSTOMER DRAWING |
| | | SCALE 15:1 | SHEET 2 OF 3 REV C |

| REVISIONS | | | | |
|-----------|-----|-------------|------|------|
| P. | LTN | DESCRIPTION | DATE | APVD |
| - | - | SEE SHEET 1 | - | - |
| | | | | |
| | | | | |



RECOMMEND PCB LAYOUT
 SCALE 10:1

| | | | |
|---|--|-----------------------------|--|
| THIS DRAWING IS A CONTROLLED DOCUMENT. | | DWN J. POLIGNONE 17JAN08 | TE Connectivity |
| DIMENSIONS: | | CHK E. BRIGHT 17JAN08 | |
| mm | TOLERANCES UNLESS OTHERWISE SPECIFIED: | APVD E. BRIGHT 17JAN08 | NAME EVERCLEAR Mini-SAS, CONNECTOR ASSEMBLY, RECEPTACLE, RIGHT ANGLE, SURFACE MOUNT |
| 0 PLC ± 2 PLC ±0.25 3 PLC ±0.13 5 PLC ± 4 PLC ± | ANGLES ± | PRODUCT SPEC | APPLICATION SPEC |
| MATERIAL TBD | FINISH | WEIGHT | RESTRICTED TO |
| CUSTOMER DRAWING | | SCALE 10:1 | SHEET 3 OF 3 REV C |