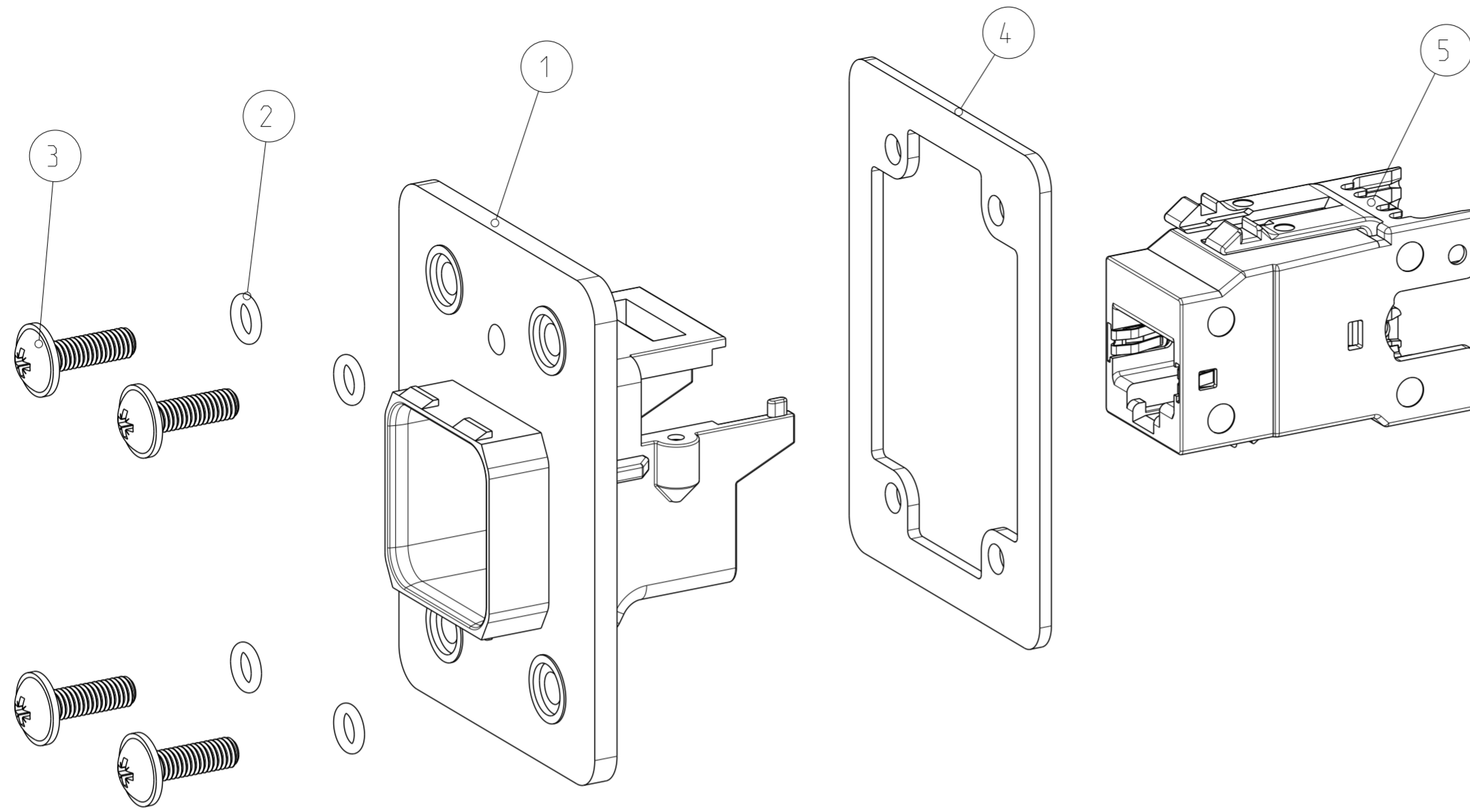


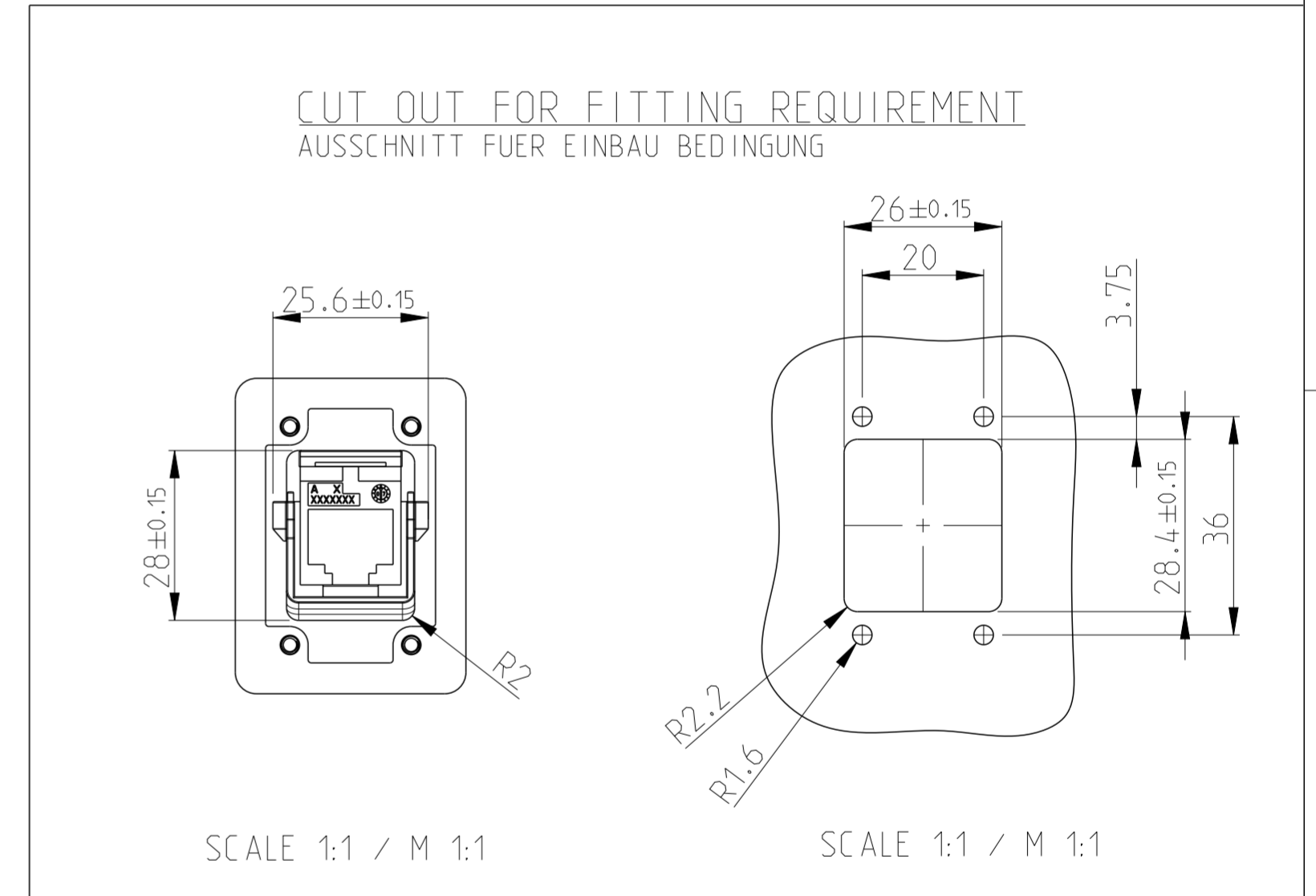
THIS DRAWING IS UNPUBLISHED. RELEASED FOR PUBLICATION 2008
 © COPYRIGHT 2008 BY - ALL RIGHTS RESERVED.

REVISIONS					
P	LTR	DESCRIPTION	DATE	DWN	APVD
A4		PN 1987673-2 DISCONTINUED	05JAN2018	TJ	NG
B		ITEM 5 DESCRIPTION UPDATED-PCN E-19-016955	31OCT2019	SS	JK



SINGLE PACKING: PLASTIC BAG (MINI GRIP) WITH MANUAL.
 MULTI PACKING: 50 PIECE ITEM NO. 1 IN CORD TENSIONING BAG+
 200 PIECE ITEM NO. 2 IN PLASTIC BAG (MINI GRIP) +
 200 PIECE ITEM NO. 3 PLASTIC BAG (MINI GRIP) +
 50 PIECE ITEM NO. 4 PLASTIC BAG (MINI GRIP) +
 50 PIECE ITEM NO. 5 FOLDING BOX +
 PACKED IN CORRUGATED SHIPPING BOX WITH MANUAL.

EINZELVERPACKUNG: KUNSTSTOFFBEUTEL (MINI GRIP) MIT ANLEITUNG.
 MEHRFACHVERPACKUNG: 50 STUECK POS. 1 IN KORDELZUG BEUTEL +
 200 STUECK POS. 2 IN KUNSTSTOFFBEUTEL (MINI GRIP) +
 200 STUECK POS. 3 IN KUNSTSTOFFBEUTEL (MINI GRIP) +
 50 STUECK POS. 4 IN KUNSTSTOFFBEUTEL (MINI GRIP) +
 50 STUECK POS. 5 IN FALTSCHACHEL +
 VERPACKT IN VERSANDKARTON MIT ANLEITUNG.



SCALE 1:1 / M 1:1

SCALE 1:1 / M 1:1

-	-	1	1	-	-	MANUAL	6
-	-	50	1	-	-	AMP-TWIST SLX, 6S, GY	5
-	-	50	1	-	-	FLAT GASKET FOR IP67 PUSH-PULL FRAME	4
-	-	200	4	-	-	ROUND HEAD SCREW Mx3	3
-	-	200	4	-	-	O-RING SEAL FOR IP67 PUSH-PULL FRAME	2
-	-	50	1	-	-	FRAME, PUSH-PULL, IP67	1
-	-	-2	-1	DWG. SIZE	PARTNUMBER	DESCRIPTION	ITEM NO
-	-	-	-	← REVISION OF EACH ASSY NO. (WHEN BLANK, USE DWG. REVISION)			
QTY REQD PER ASSY				PARTS LIST			

THIS DRAWING IS A CONTROLLED DOCUMENT.		DWN 21NOV2008 N.Thirunavukkarasu	STE TE Connectivity	
		CHK 21NOV2008 W.BOECK		
DIMENSIONS: mm		APVD 21NOV2008 R.KRAEMER	NAME ASSY, IP65/67 CAT6 PUSH-PULL FRAME ASSY, IP65/67 CAT6 PUSH-PULL RAHMEN	
TOLERANCES UNLESS OTHERWISE SPECIFIED:		PRODUCT SPEC 108-94207	SIZE CAGE CODE DRAWING NO RESTRICTED TO	
0 PLC ±	1 PLC ±	APPLICATION SPEC -	A2100779 C-1987673	
2 PLC ±	3 PLC ±	WEIGHT -	SCALE 2:1 SHEET 1 OF 1 REV B	
4 PLC ±	ANGLES ±°	CUSTOMER DRAWING		
FINISH -	-			