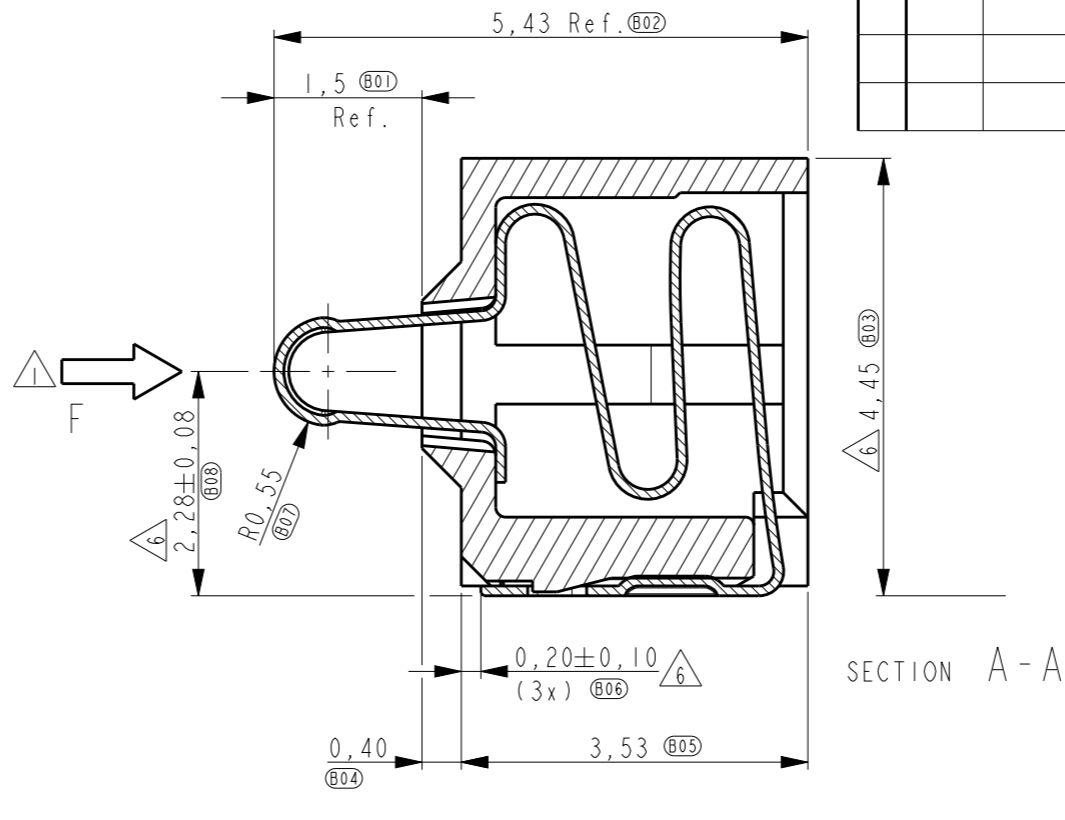
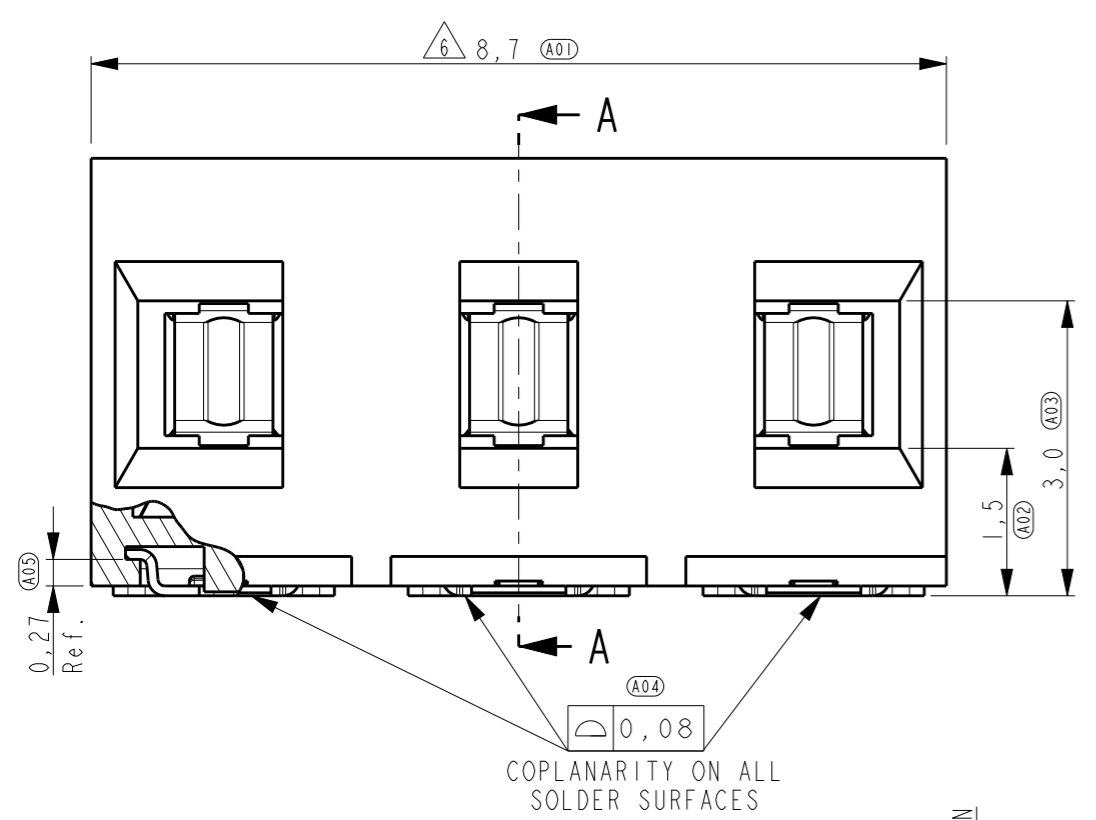


THIS DRAWING IS UNPUBLISHED. RELEASED FOR PUBLICATION
 © COPYRIGHT BY TYCO ELECTRONICS CORPORATION. ALL RIGHTS RESERVED.

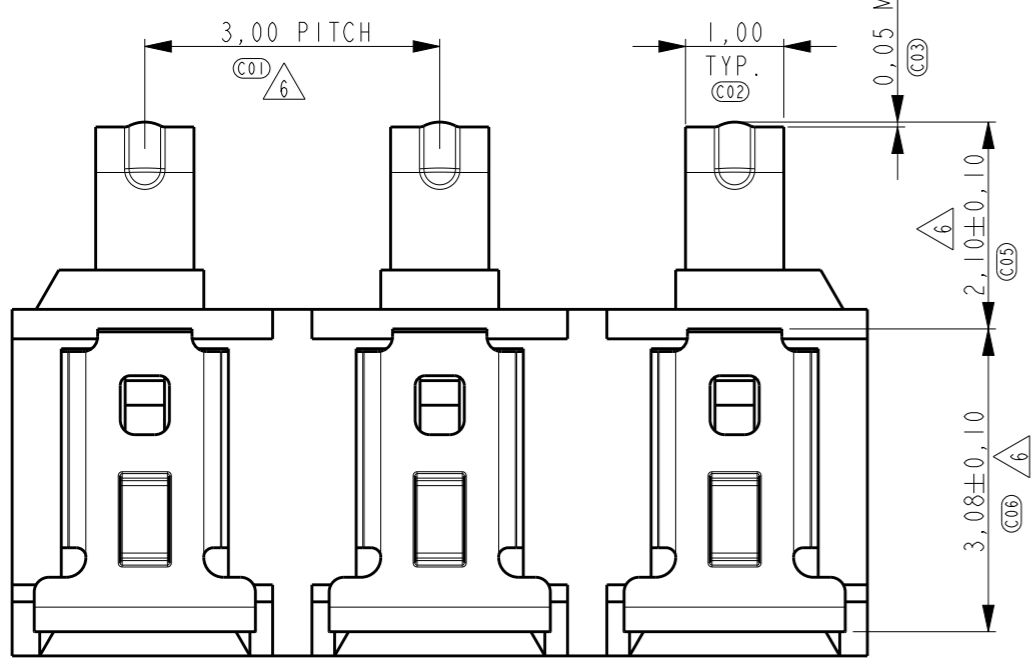
LOC	DIST	REVISIONS				
P	LTR	DESCRIPTION	DATE	DWN	APVD	
H	-	A	Release For Production	06NOV2008	SZ	DH



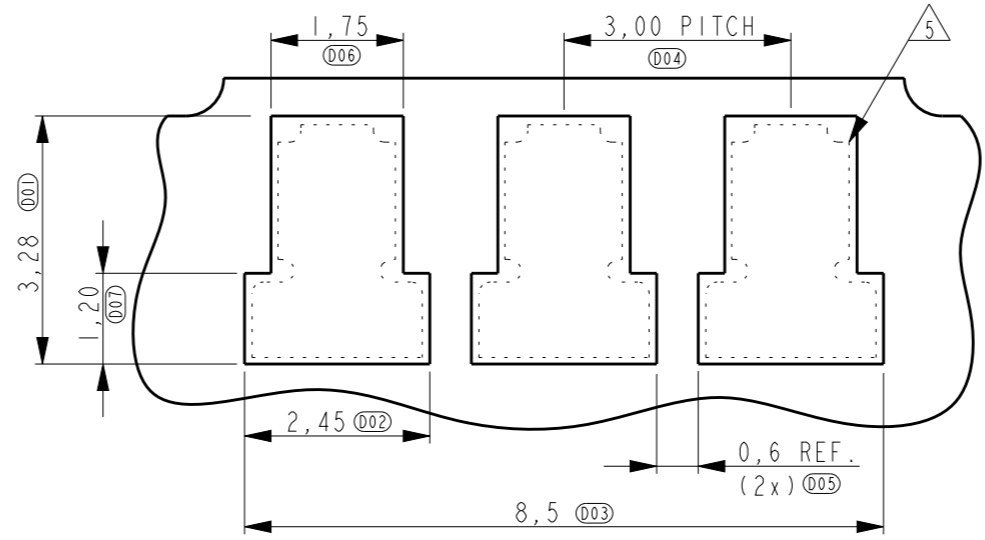
- NOTES:
- 1 MECHANICAL SPECIFICATIONS:
contact force: see table
durability : 3000 compression cycles
 - 2 ELECTRICAL SPECIFICATIONS:
contact resistance : 30 mΩ
current : 100 mA, peak max. 3A
operating voltage : 6V
 - 3 ENVIRONMENTAL SPECIFICATIONS:
operating temperature : -20°C to 70°C
 - 4 Cavity number and Tyco Electronics logo
 - 5 Contact solder area for reference only.
 - 6 Dimensions used for statistical process control on 30 pieces.

	STROKE (mm)	F (N)
MIN.	0,5	0,5 MIN
NOMINAL	0,8	0,5 - 1,5
MAX.	1,3	2,0 MAX

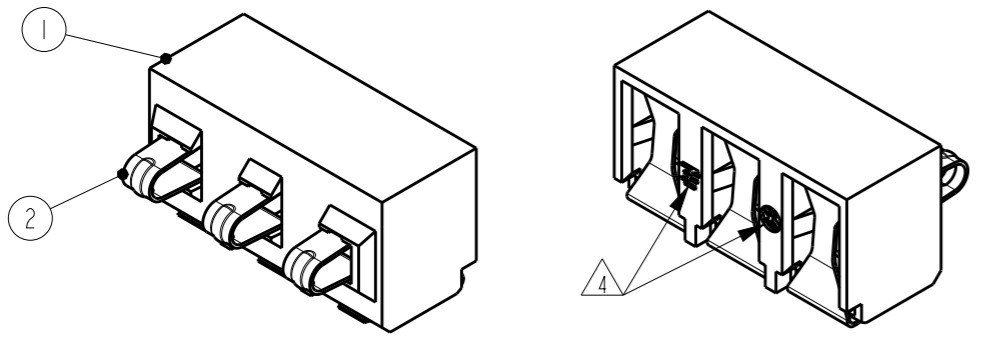
PART NUMBER 1982633-1



RECOMMENDED PWB LAYOUT (TOP VIEW)



ITEM N°	DESCRIPTION	MATERIAL	FINISH
2	CONTACT	copper alloy	min. 0,25µm Au (contact area) min. 0,13µm Au (solder area) over min. 2,0µm Ni
1	HOUSING	LCP, black	-



THIS DRAWING IS A CONTROLLED DOCUMENT FOR TYCO ELECTRONICS CORPORATION. IT IS SUBJECT TO CHANGE AND THE CONTROLLING ENGINEERING ORGANIZATION SHOULD BE CONTACTED FOR THE LATEST REVISION.		DWN 6 JUN 2007 M. Felten
DIMENSIONS: mm		CHK 7 JUN 2007 P. Willems
TOLERANCES UNLESS OTHERWISE SPECIFIED:		APVD D. Halberstadt
0 PLC	±0,2	PRODUCT SPEC 108-19351
1 PLC	±0,1	APPLICATION SPEC -
2 PLC	±0,05	WEIGHT 183 mg
3 PLC	±0,025	CUSTOMER DRAWING
4 PLC	±0,005	SCALE 13:1
ANGLES	±2	SHEET 1 OF 2
MATERIAL see BOM	FINISH see BOM	REV A

PRELIMINARY

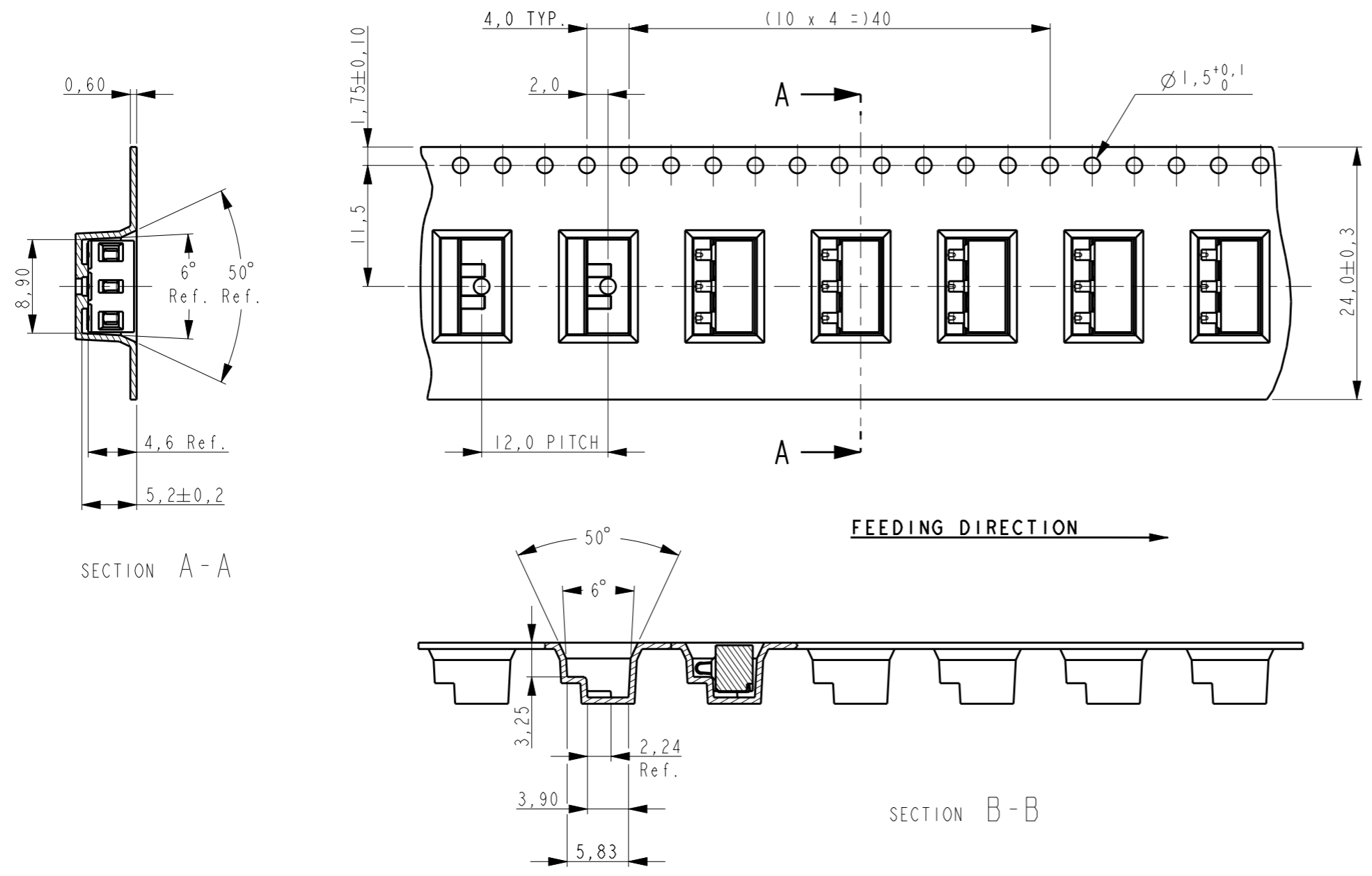
Tyco Electronics Corporation
 's-Hertogenbosch, Nederland

NAME: 3 POSITION BATTERY CONNECTOR

SIZE A3	CAGE CODE 00779	DRAWING NO. C-1982633	RESTRICTED TO
---------	-----------------	-----------------------	---------------

THIS DRAWING IS UNPUBLISHED. RELEASED FOR PUBLICATION
 © COPYRIGHT BY TYCO ELECTRONICS CORPORATION. ALL RIGHTS RESERVED.

LOC	DIST	REVISIONS			
P	LTR	DESCRIPTION	DATE	DWN	APVD
H	-	SEE SHEET 1	-	-	-



NOTES:
 7 PACKAGING
 reel size : 330 mm
 quantity per reel : 1000
 leading empty pockets : 25
 trailing empty pockets : 25

<small>THIS DRAWING IS A CONTROLLED DOCUMENT FOR TYCO ELECTRONICS CORPORATION IT IS SUBJECT TO CHANGE AND THE CONTROLLING ENGINEERING ORGANIZATION SHOULD BE CONTACTED FOR THE LATEST REVISION.</small>		DWN 6 JUN 2007 M. Felten CHK 7 JUN 2007 P. Willems APVD D. Halberstadt		Tyco Electronics Corporation 's-Hertogenbosch, Nederland	
DIMENSIONS: mm 		TOLERANCES UNLESS OTHERWISE SPECIFIED: 0 PLC ±0,2 1 PLC ±0,1 2 PLC ±0,05 3 PLC ±0,025 4 PLC ±0,005 ANGLES ±2		NAME 3 POSITION BATTERY CONNECTOR	
MATERIAL see BOM		FINISH see BOM		PRODUCT SPEC - APPLICATION SPEC - WEIGHT 176 mg	
CUSTOMER DRAWING				SIZE A3	CAGE CODE 00779
				DRAWING NO. G-1982633	RESTRICTED TO
				SCALE 1:1	SHEET 2 OF 2
				REV A	