

4

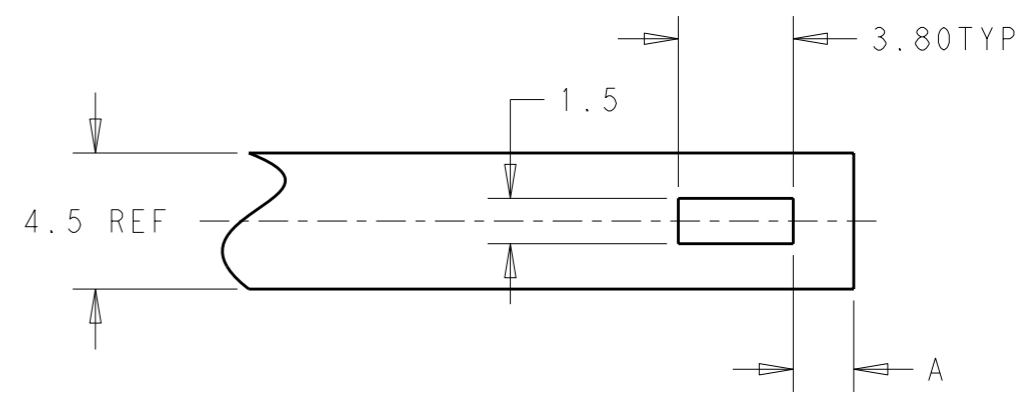
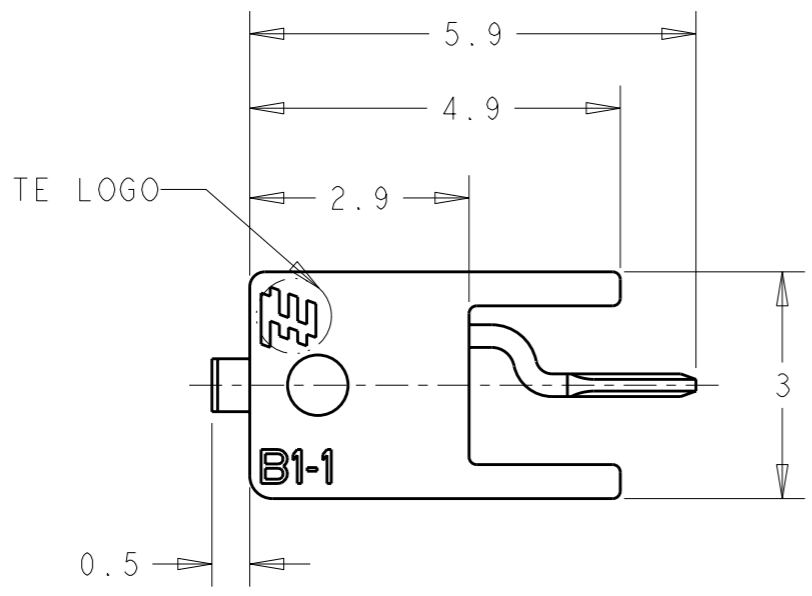
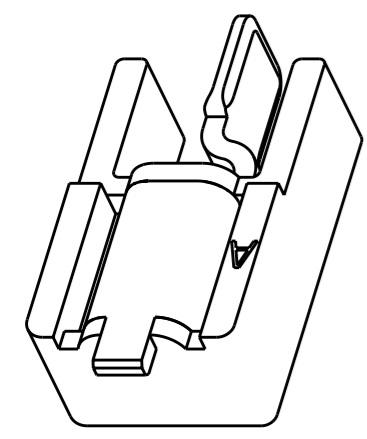
3

2

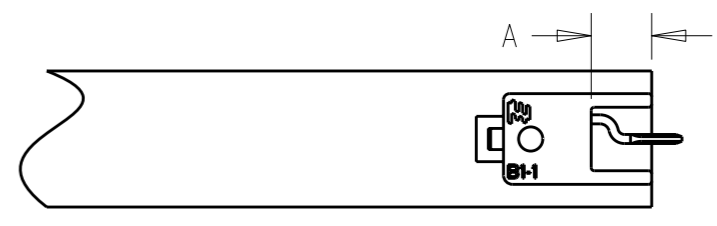
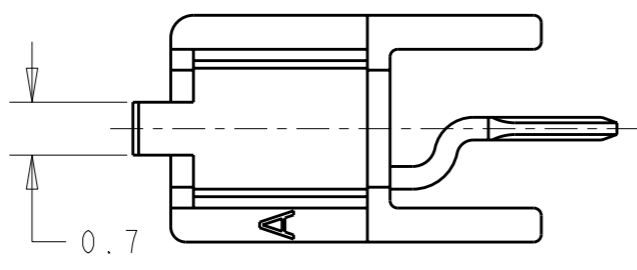
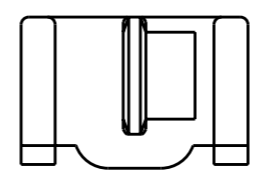
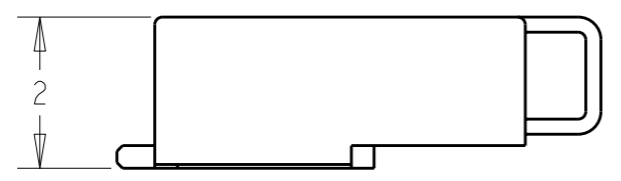
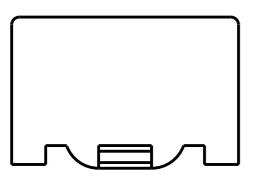
1

THIS DRAWING IS UNPUBLISHED. RELEASED FOR PUBLICATION 20
 © COPYRIGHT 20 BY TYCO ELECTRONICS CORPORATION. ALL INTERNATIONAL RIGHTS RESERVED.

LOC	DIST	REVISIONS			
P	LTR	DESCRIPTION	DATE	DWN	APVD
ES	0	A	RELEASE DRAWING	19APR2011	G.C X.X



(TYPE A=2.00 HORIZONTALLY MATED ONLY)
 (TYPE A=0.80 CAN BE BOTH VERTICALLY AND HORIZONTALLY MATED)
 RECOMMENDED PCB LAYOUT FOR FBG10052-001-1
 SCALE 4:1



(TYPE A=2.00 HORIZONTALLY MATED ONLY)
 (TYPE A=0.80 CAN BE BOTH VERTICALLY AND HORIZONTALLY MATED)
 RECOMMENDED PCB LAYOUT FOR FBG10052-001-1
 SCALE 4:1

NOTES:
 1. PACKAGED IN TAPE AND REEL PER IEA-481 SPECIFICATIONS.
 2. MATERIAL AND FINISH:
 -HOUSING: THERMAL PLASTIC
 -PIN CONTACT: BRASS
 -FINISH: TIN OVER NICKEL.

<small>THIS DRAWING IS A CONTROLLED DOCUMENT FOR TYCO ELECTRONICS CORPORATION IT IS SUBJECT TO CHANGE AND THE CONTROLLING ENGINEERING ORGANIZATION SHOULD BE CONTACTED FOR THE LATEST REVISION.</small>		DWN 11JAN2011 GU CINDY		Tyco Electronics Corporation Harrisburg, PA 17105-3608	
DIMENSIONS: mm		TOLERANCES UNLESS OTHERWISE SPECIFIED: 0 PLC ±- 1 PLC ±0.2 2 PLC ±0.13 3 PLC ±0.013 4 PLC ±0.0001 ANGLES ±1		CHK 11JAN2011 TAO TRACY	
		APVD 11JAN2011 XU XIANG		NAME 1P MALE CONNECTOR FOR B-B	
MATERIAL -		FINISH -		PRODUCT SPEC 108-106050	
WEIGHT -		APPLICATION SPEC 114-106074		SIZE CAGE CODE DRAWING NO RESTRICTED TO A3 00779 C-1971742 -	
CUSTOMER DRAWING				SCALE 3:1 SHEET 1 OF 1 REV A	