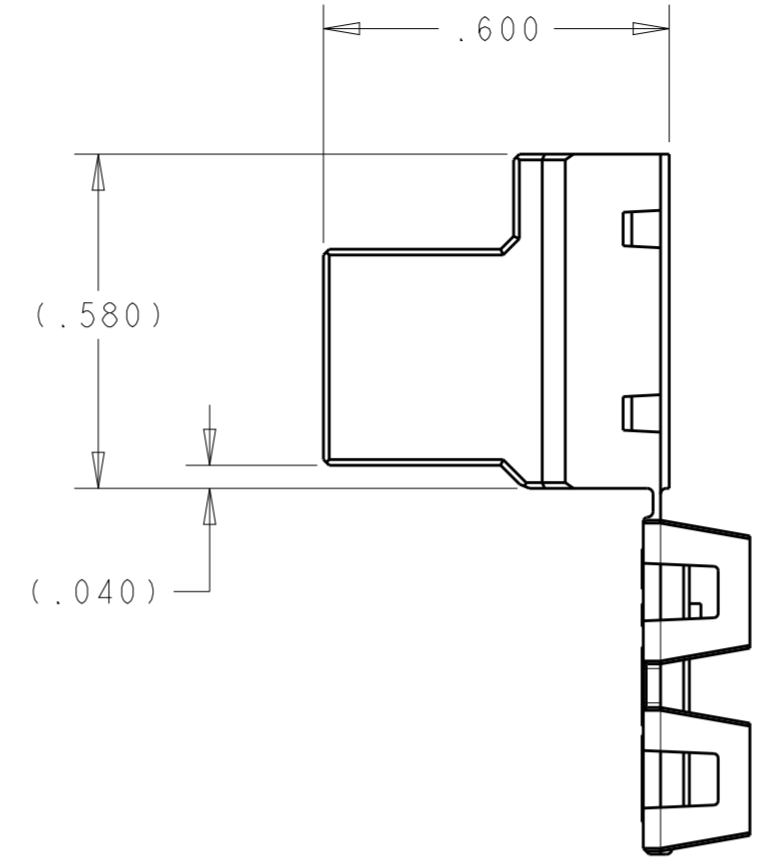
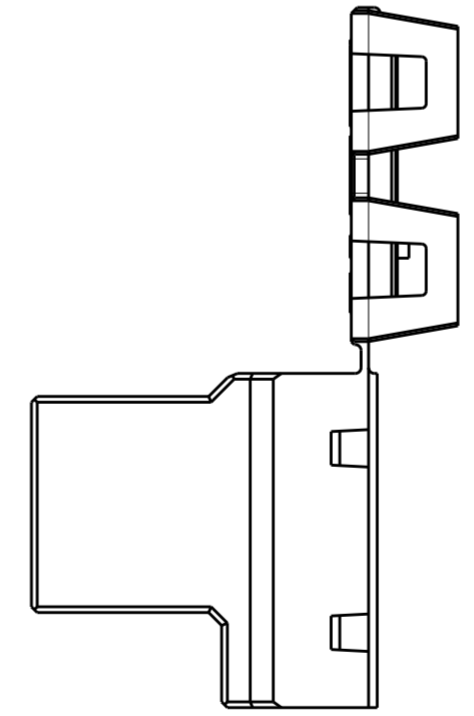
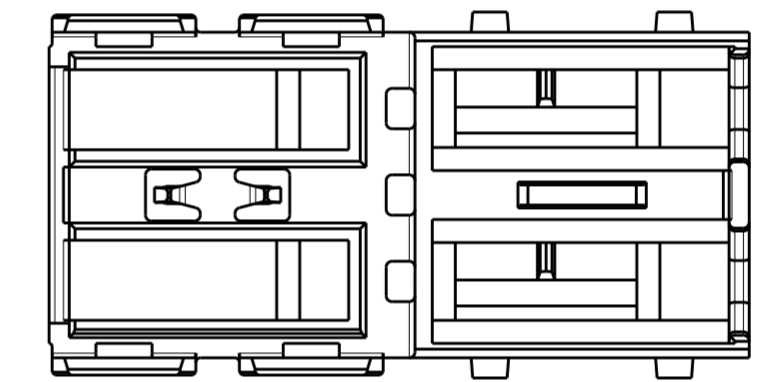
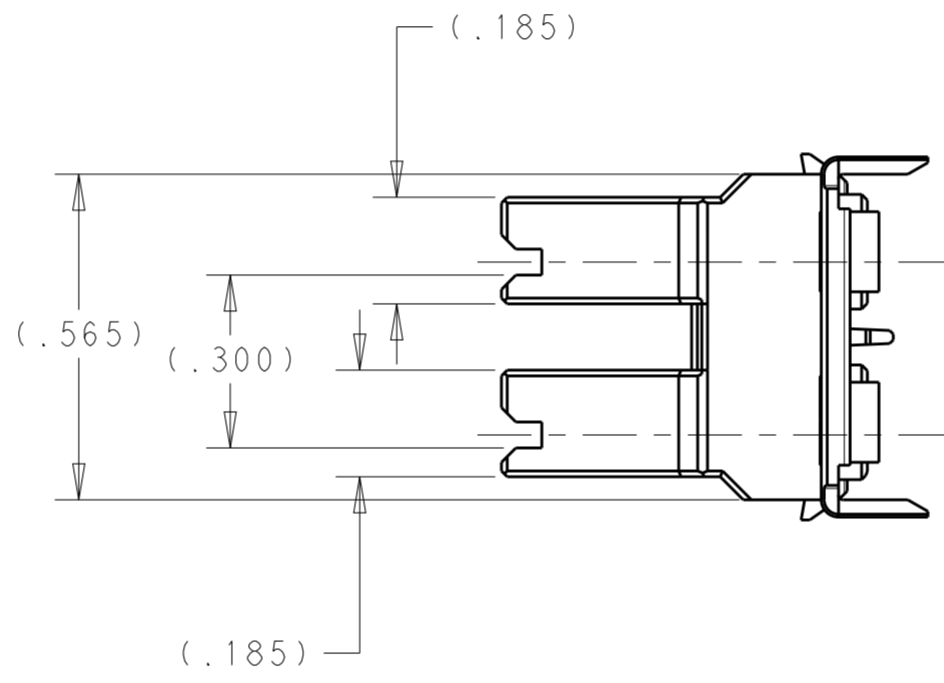
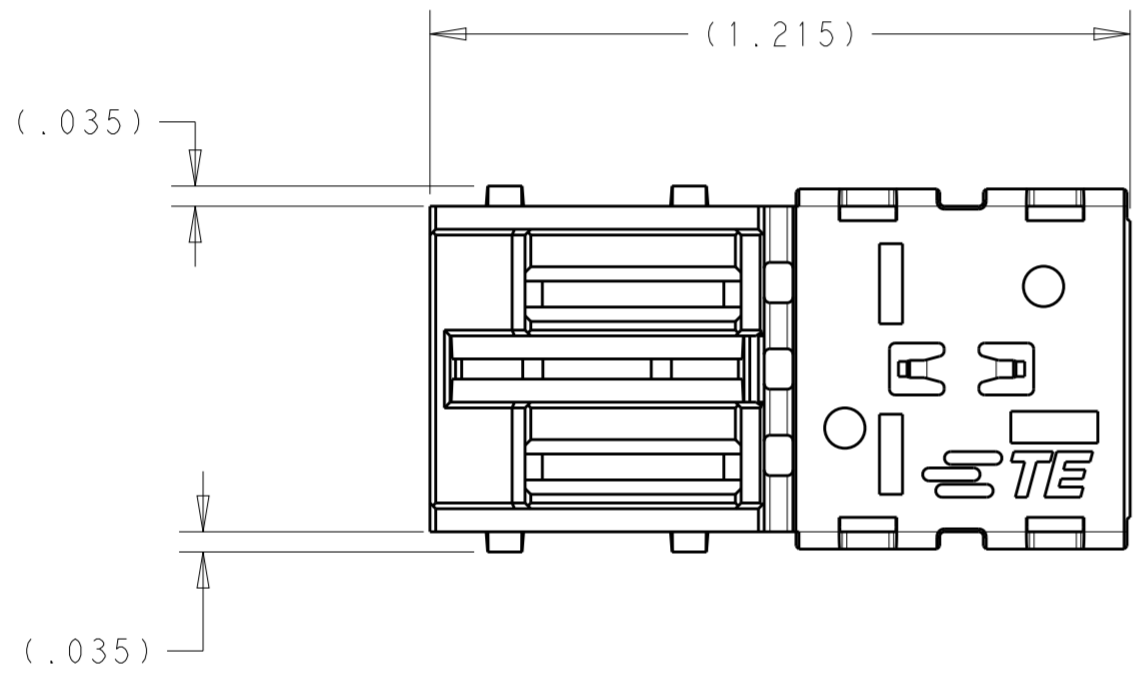


THIS DRAWING IS UNPUBLISHED. RELEASED FOR PUBLICATION 20
 © COPYRIGHT 20 BY - ALL RIGHTS RESERVED.

REVISIONS					
P	LTR	DESCRIPTION	DATE	DWN	APVD
A		REVISED PER ECO-19-009970	02JUL2019	RS	DH



1. THIS HOUSING ACCEPTS TERMINALS PN 63010-X AND 2238171-3
2. NOTE REMOVED
3. IF CRACKS IN THE LIVING HINGE ARE OBSERVED DURING CLOSING THE LID, THIS IS AN INDICATION THAT THE PARTS HAVE BEEN ALLOWED TO DRY-OUT TOO MUCH. RE-MOISTURIZE THE PARTS PER SPECIFICATION 408-143119



NYLON, UL94V-0 150°C	1969899-1
MATERIAL	PART NUMBER

THIS DRAWING IS A CONTROLLED DOCUMENT.		DWN R. SMITH 25JUL2018	STE TE Connectivity	
DIMENSIONS: IN		CHK D. HUMPHREY 25JUL2018		
TOLERANCES UNLESS OTHERWISE SPECIFIED:		APVD D. HUMPHREY 25JUL2018	NAME 250 FAST FLAG HSG R.H. FLAG 2P BLACK	
0 PLC ± 1 PLC ± 2 PLC ± 3 PLC ±.010 4 PLC ± ANGLES ±2 FINISH		PRODUCT SPEC -	SIZE A200779	
MATERIAL SEE TABLE		APPLICATION SPEC -	DRAWING NO C-1969899	
COLOR BLACK		WEIGHT -	RESTRICTED TO -	
CUSTOMER DRAWING		SCALE 3:1	SHEET 1 OF 1 REV A	