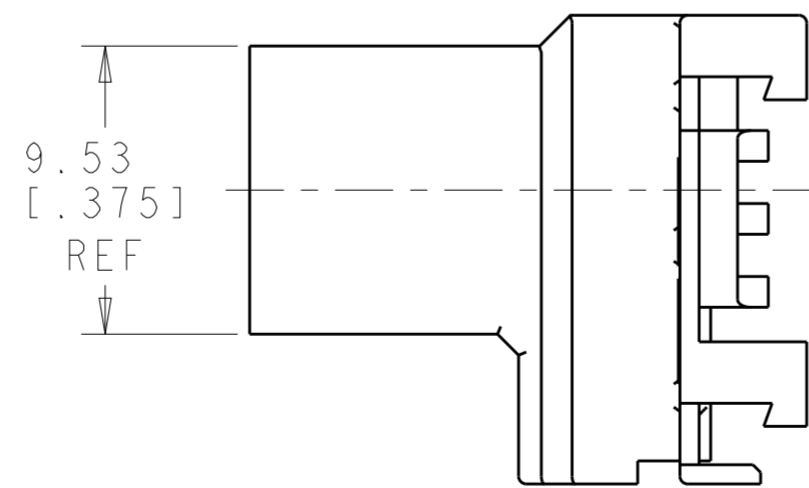
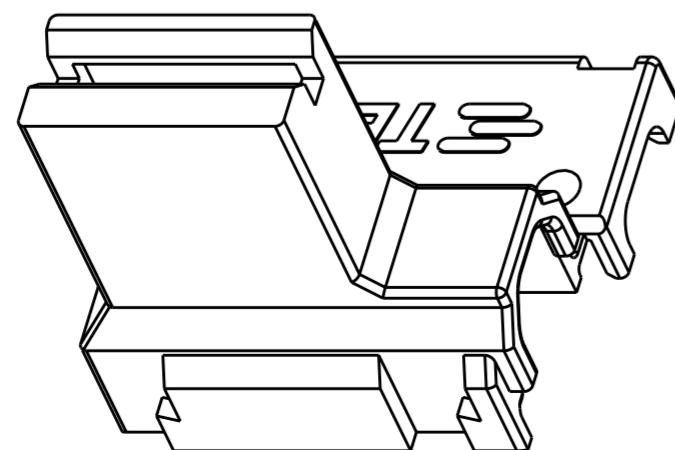
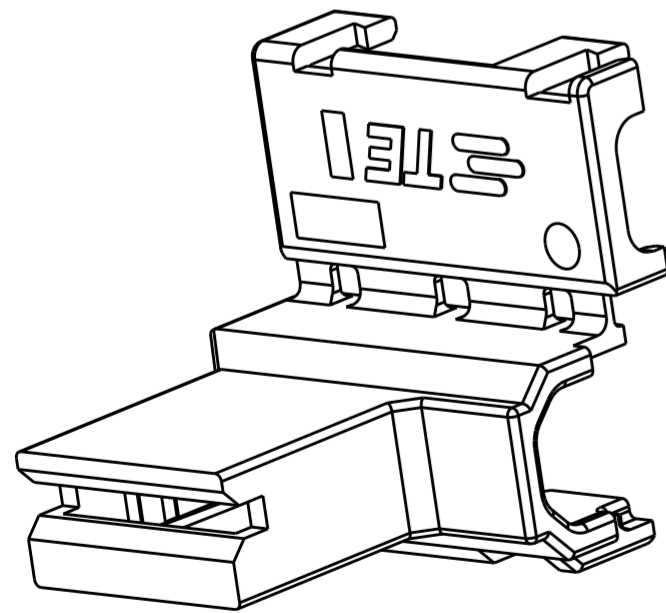
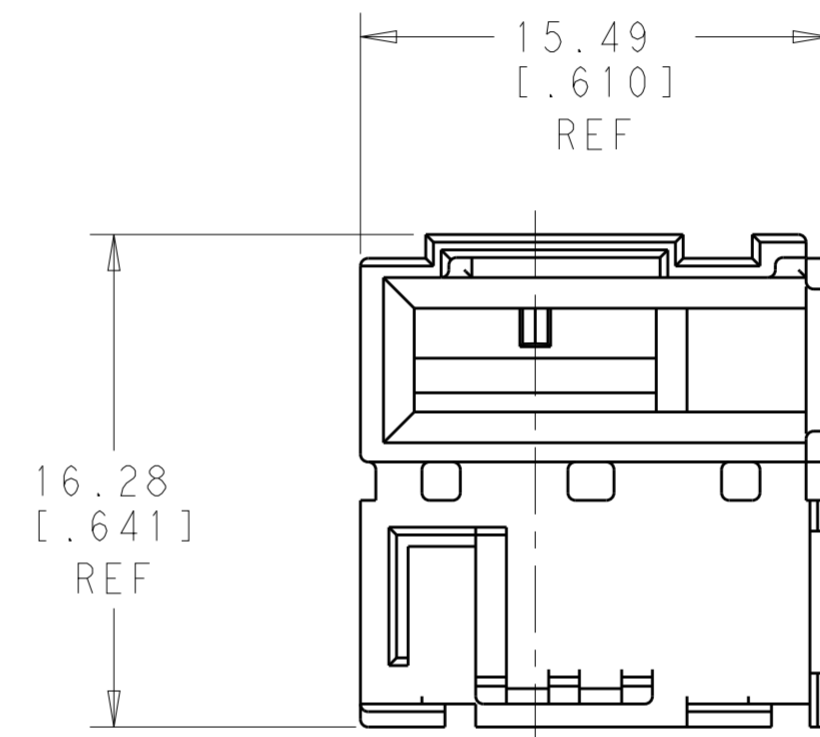
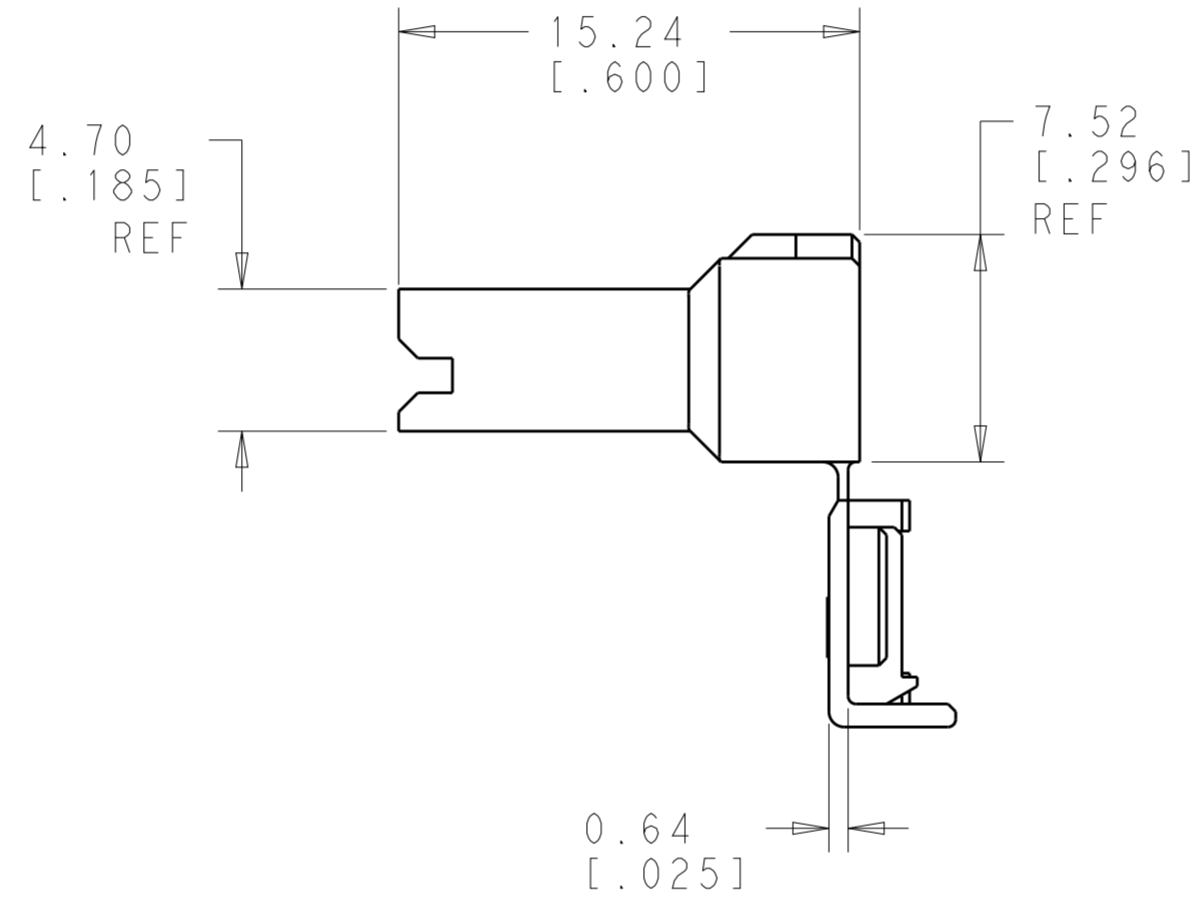
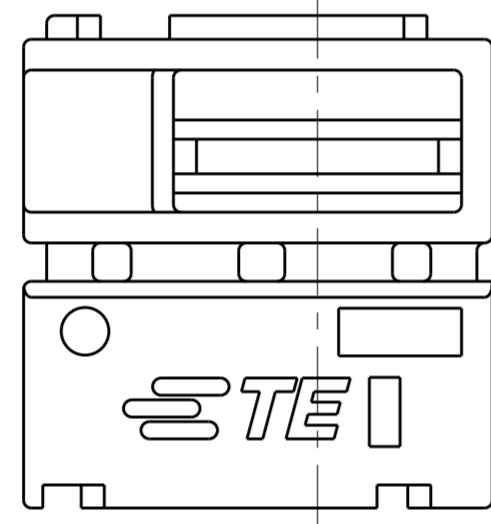
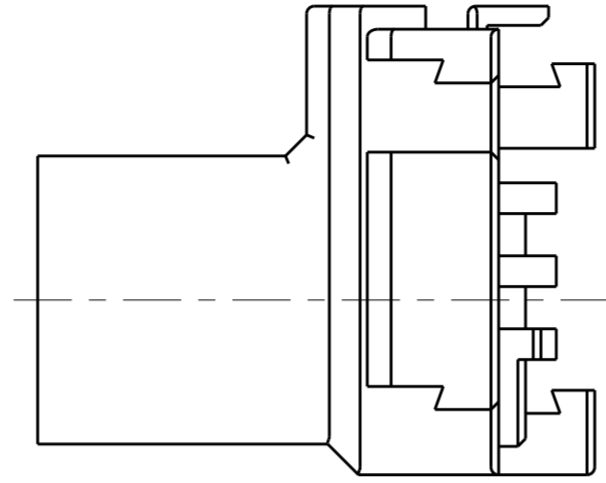


THIS DRAWING IS UNPUBLISHED. RELEASED FOR PUBLICATION  
 © COPYRIGHT copyright.d8te- ALL RIGHTS RESERVED.

REVISIONS					
P	LTR	DESCRIPTION	DATE	DWN	APVD
C		REVISED PER ECO-18-005718	18APR	RS	DH
C1		REVISED PER ECR-19-006167	07MAY2019	BDA	DH
C2		REVISED PER ECR-19-016225	04OCT2019	BDA	DH

- 1 THIS HOUSING ACCEPTS TERMINAL PART NUMBERS 2238171-3 63901-X OR 63012-X OR 63010-X.
- 2 IF CRACKS IN THE LIVING HINGE ARE OBSERVED DURING CLOSING THE LID, THIS IS AN INDICATION THAT THE PARTS HAVE BEEN ALLOWED TO DRY-OUT TOO MUCH. RE-MOISTURIZE THE PARTS PER SPECIFICATION 408-143119.

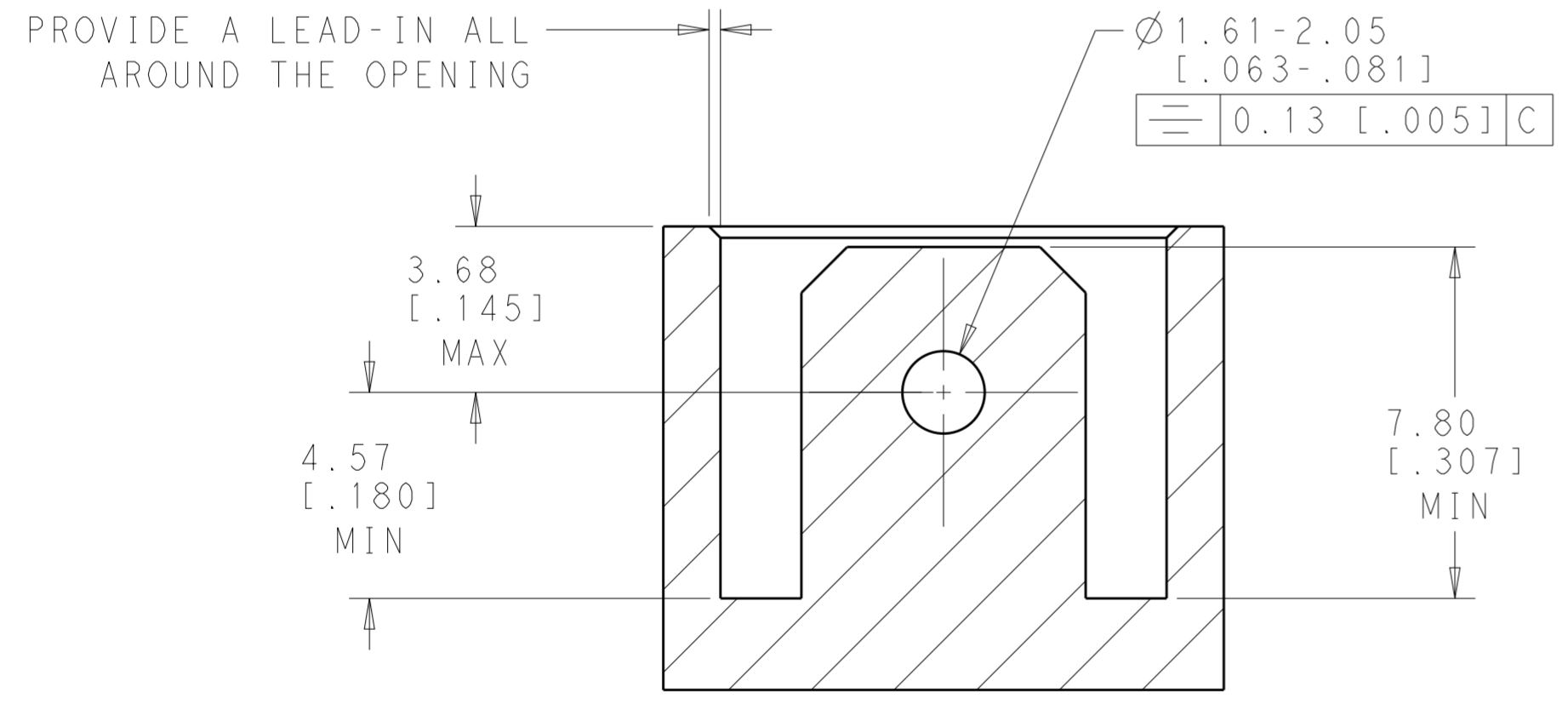
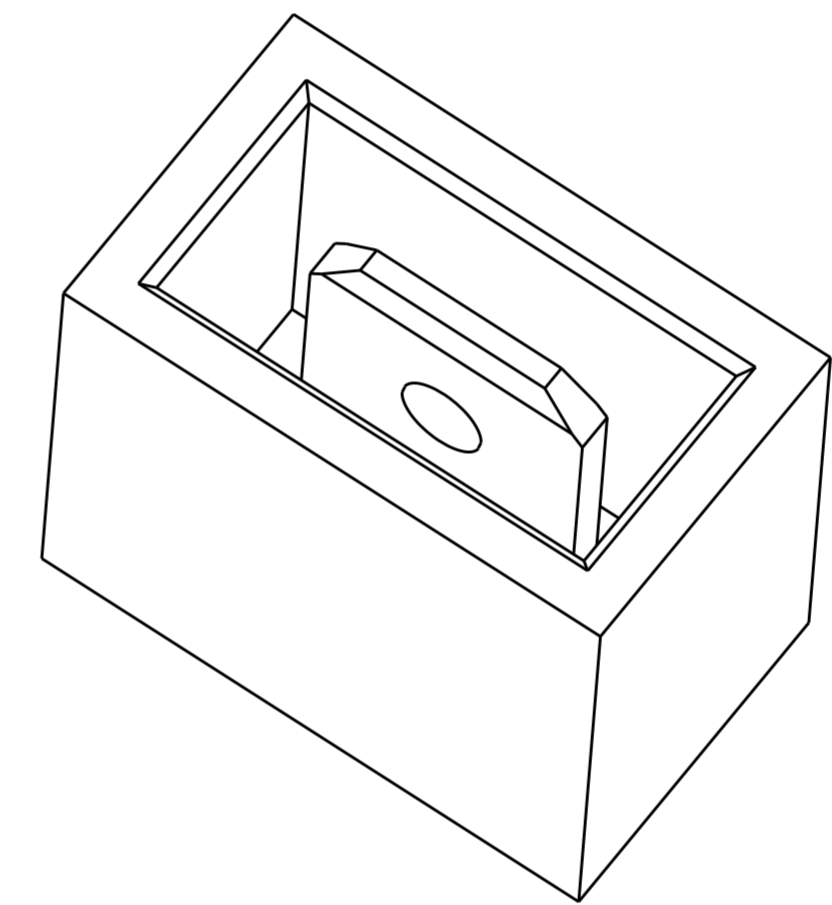
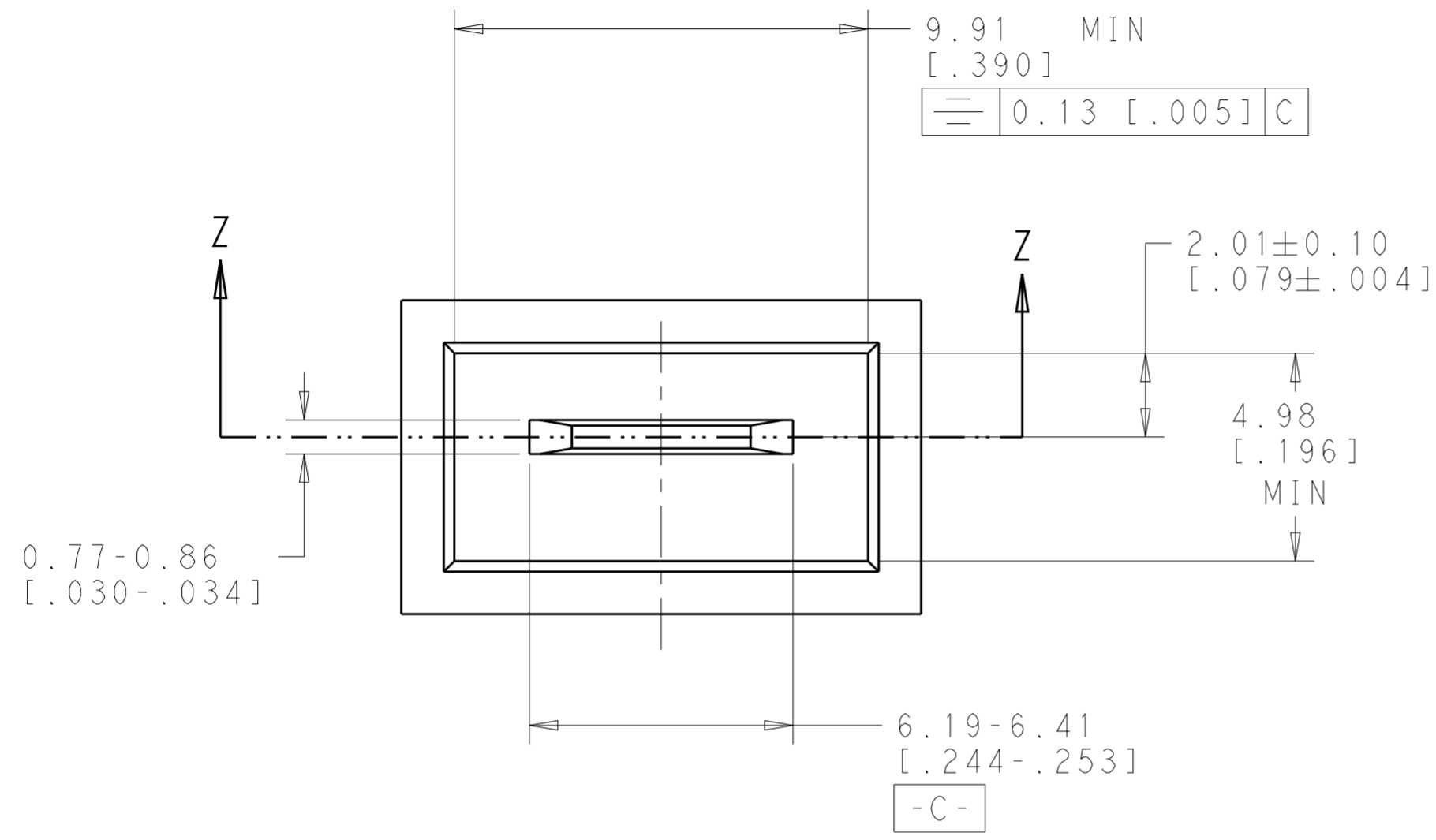


RED	NYLON, UL94V-0, 150°C	1969657-2
BLACK	NYLON, UL94V-0, 150°C	1969657-1
COLOR	MATERIAL	PART NO.

THIS DRAWING IS A CONTROLLED DOCUMENT.		DWN JR RUTH 22OCT13	TE Connectivity NAME HOUSING, RECEPTACLE, FLAG FASTON, RIGHT HAND		
DIMENSIONS: mm [INCHES]		CHK PETE DESANTIS 22OCT13			SIZE A2
TOLERANCES UNLESS OTHERWISE SPECIFIED:		APVD PETE DESANTIS 22OCT13			CAGE CODE -
0 PLC ± 1 PLC ± 2 PLC ±0.25 [.010] 3 PLC ± 4 PLC ± ANGLES ± FINISH		PRODUCT SPEC -			DRAWING NO. C-1969657
MATERIAL SEE TABLE	COLOR-BLACK	APPLICATION SPEC -	RESTRICTED TO -		
CUSTOMER DRAWING		WEIGHT -	SCALE 4:1		
			SHEET 1 OF 2		
			REV C2		

THIS DRAWING IS UNPUBLISHED. RELEASED FOR PUBLICATION  
 © COPYRIGHT copyright.d8te- ALL RIGHTS RESERVED.

REVISIONS				
P	LTR	DESCRIPTION	DATE	APVD
-	-	SEE SHEET 1	-	-



SECTION Z-Z

THIS DRAWING IS A CONTROLLED DOCUMENT.		DWN JR RUTH 22OCT13	TE Connectivity	
DIMENSIONS: mm [INCHES]		CHK PETE DESANTIS 22OCT13		
TOLERANCES UNLESS OTHERWISE SPECIFIED:		APVD PETE DESANTIS 22OCT13	NAME HOUSING, RECEPTACLE, FLAG FASTON, RIGHT HAND	
0 PLC ± 1 PLC ± 2 PLC ±0.25 [.010] 3 PLC ± 4 PLC ± ANGLES ±		PRODUCT SPEC -	SIZE A2	
MATERIAL SEE TABLE		APPLICATION SPEC -	CAGE CODE -	DRAWING NO C-1969657
COLOR-BLACK		WEIGHT -	RESTRICTED TO -	SCALE 4:1
CUSTOMER DRAWING		SHEET 2 OF 2		REV C2