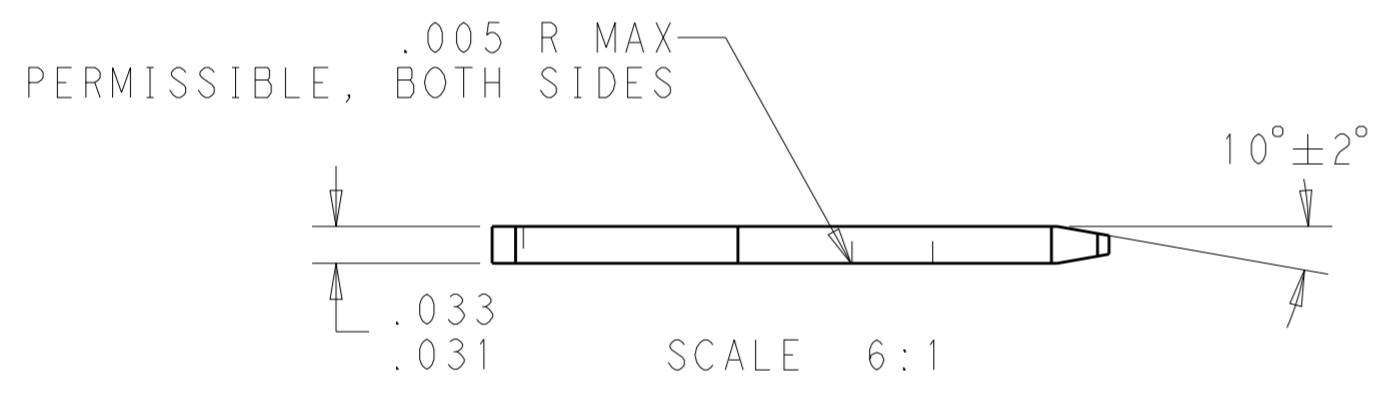
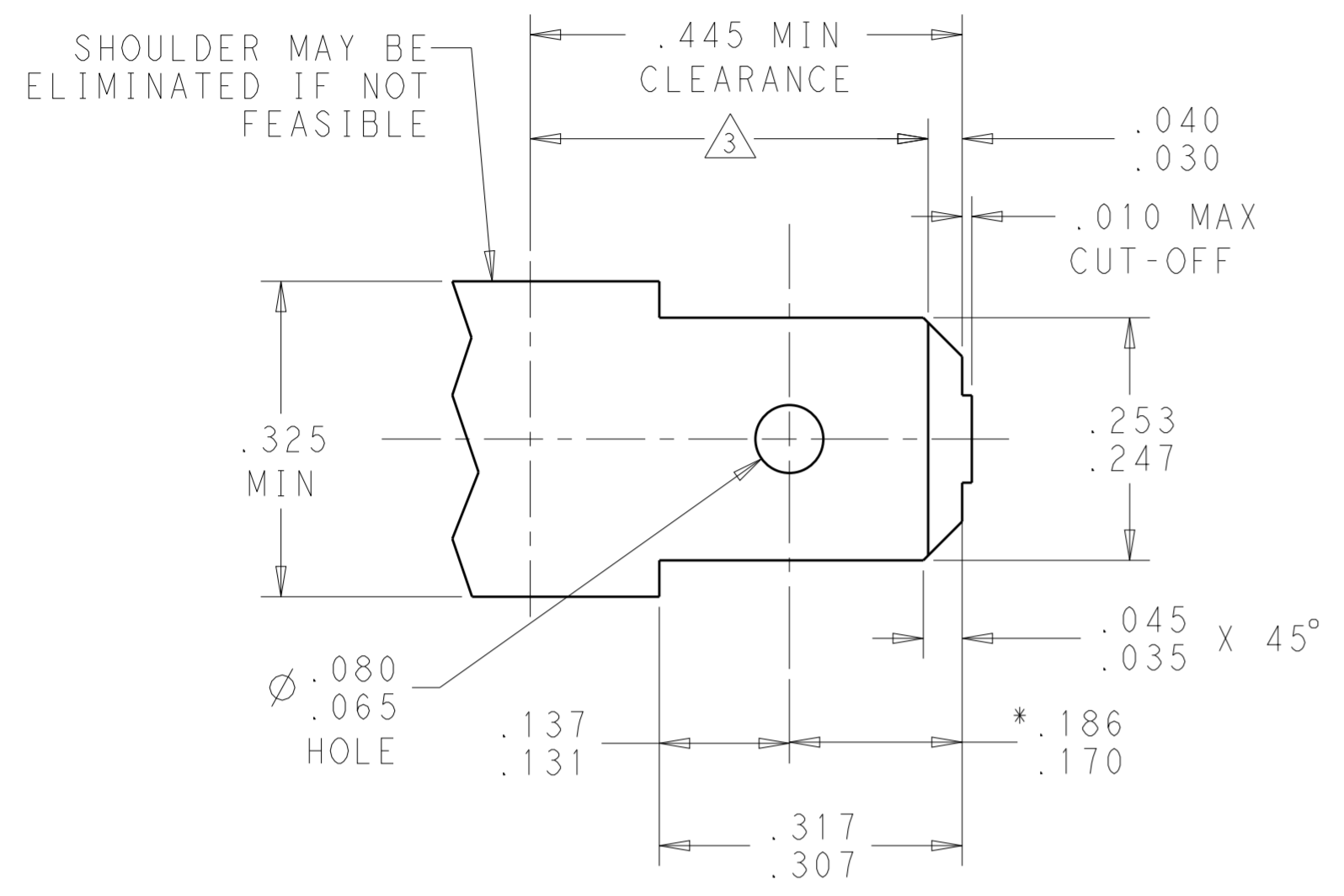


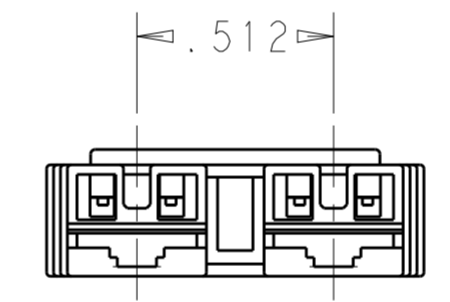
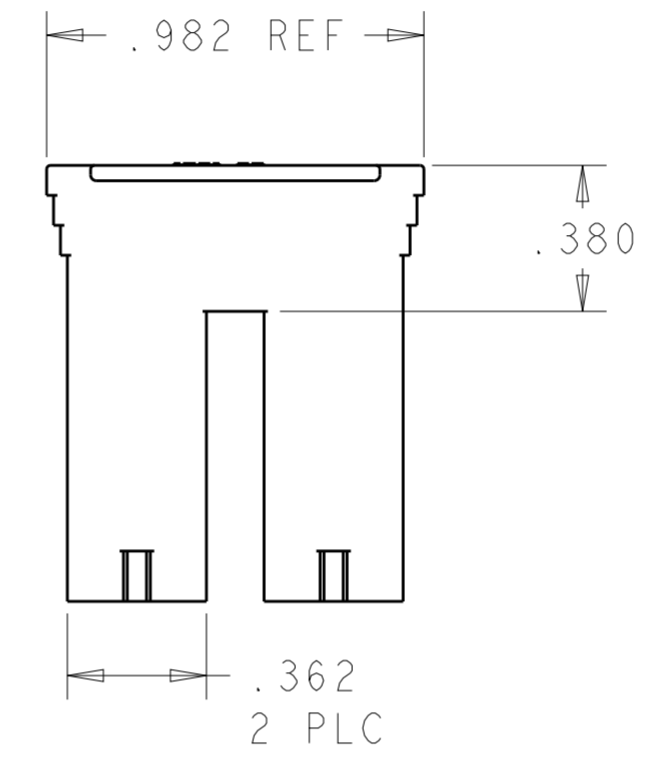
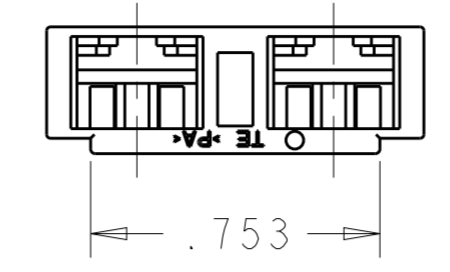
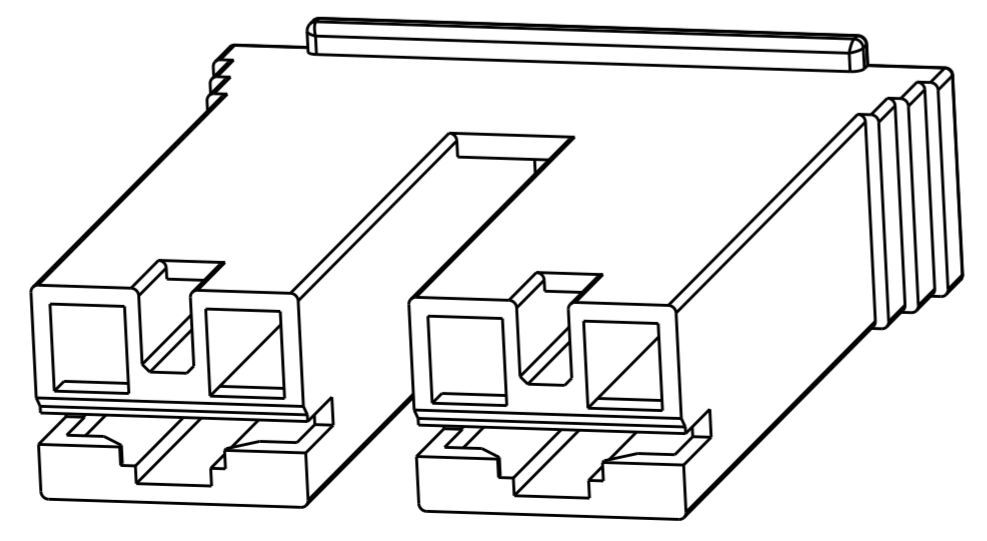
THIS DRAWING IS UNPUBLISHED. RELEASED FOR PUBLICATION 2012
 © COPYRIGHT 2012 Tyco Electronics AMP GmbH ALL RIGHTS RESERVED.

LOC		DIST		REVISIONS			
P	LTR	DESCRIPTION	DATE	DWN	APVD		
	A7	REVISED PER ECR-18-006473	18SEP2018	BDA	DS		

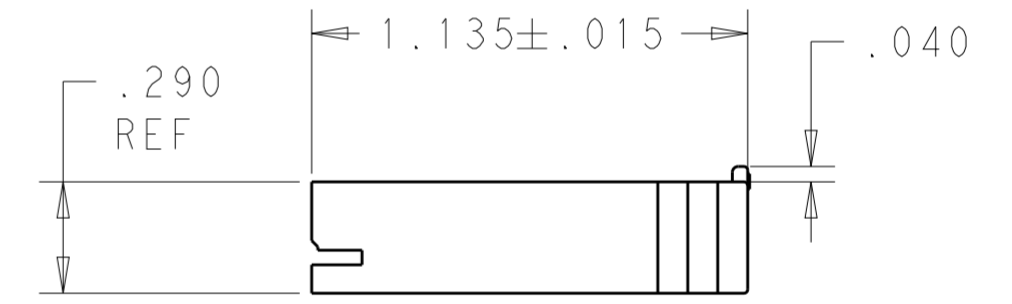
SUGGESTED MATING TAB



- 1 MATL: 1/2H BRASS OR NICKEL PL STEEL
- 2 NO BURRS PERMISSBLE AT HOLE
- △ MUST BE FLAT WITHIN .003 OVER THIS LENGTH
- 4 TIN PLATING IS REQUIRED ON BRASS WHEN TERMINAL TEMP IS OVER 225° F.
- 5 HOLE MUST BE SYMMETRICAL ABOUT TAB CENTERLINE WITHIN .003
- * TO BE USED ONLY WHEN SHOULDER IS ELIMINATED.



1 FOR USE WITH MKII POSITIVE LOCK, LOW INSERTION FORCE FASTON RECEPTACLES AND MOST BUDGET FASTON RECEPTACLES.



SUPERSEDED BY 3-1969453-1

COLOR	MATERIAL	PART NO.
NATURAL	66 Nylon V0 Natural	3-1969453-1
BLACK	66 NYLON	1969453-8
YELLOW	66 NYLON	1969453-6
BLUE	66 NYLON	1969453-5
RED	66 NYLON	1-1969453-2
NATURAL	66 NYLON V0	1-1969453-1
NATURAL (WHITE)	66/6 NYLON V0	1969453-1

THIS DRAWING IS A CONTROLLED DOCUMENT.

DWN: JR RUTH 04AUG11
 CHK: KURT RANDOLPH 04AUG11
 APVD: KURT RANDOLPH 04AUG11

TE Connectivity

NAME: HOUSING, RECPT, POSITIVE-LOCK AND STANDARD FASTON, .250 SERIES MKII

SIZE: A2 CAGE CODE: 00779 DRAWING NO: C-1969453

RESTRICTED TO: A7

SCALE: 8:1 SHEET 1 OF 1 REV A7