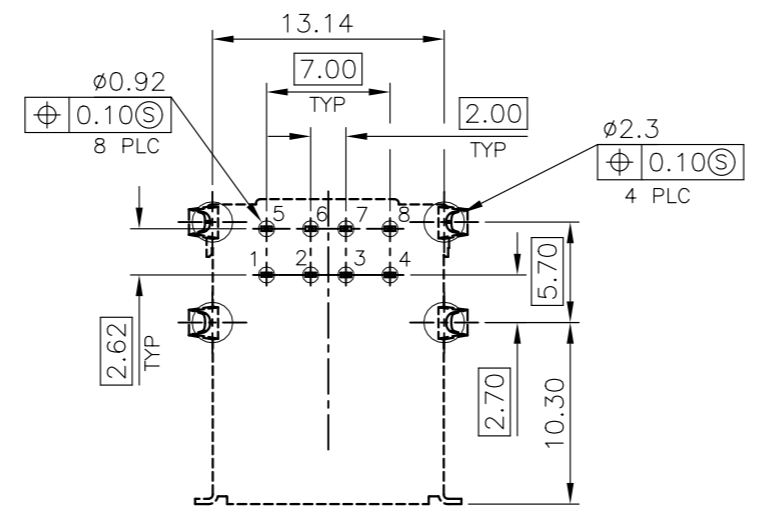
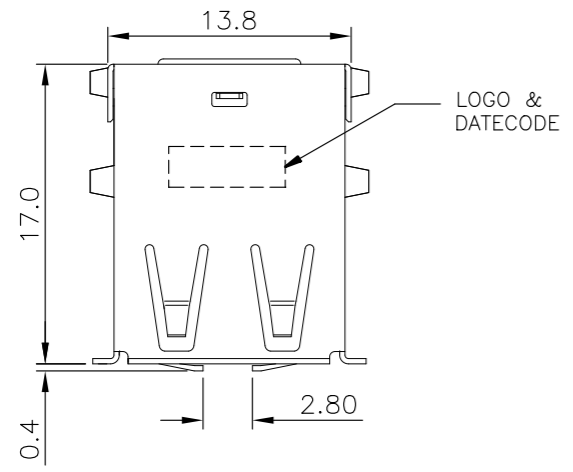
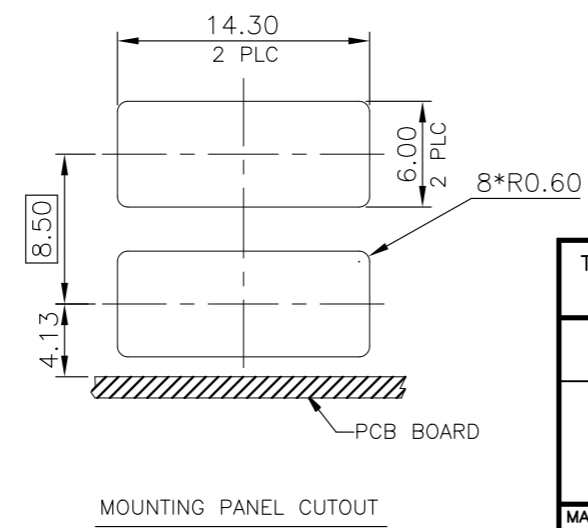
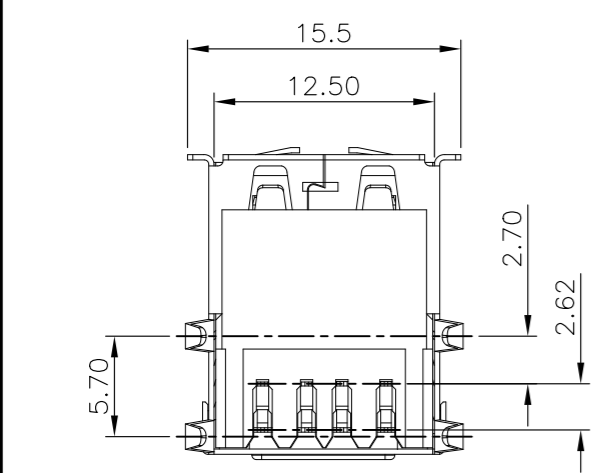
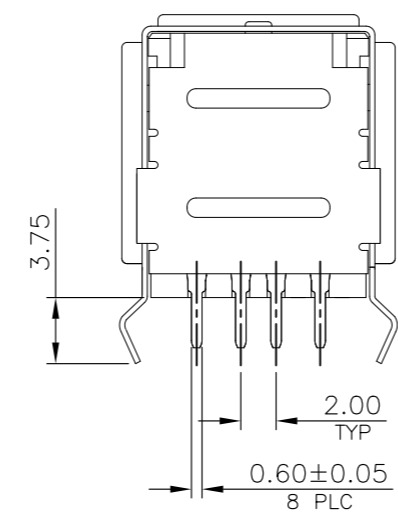
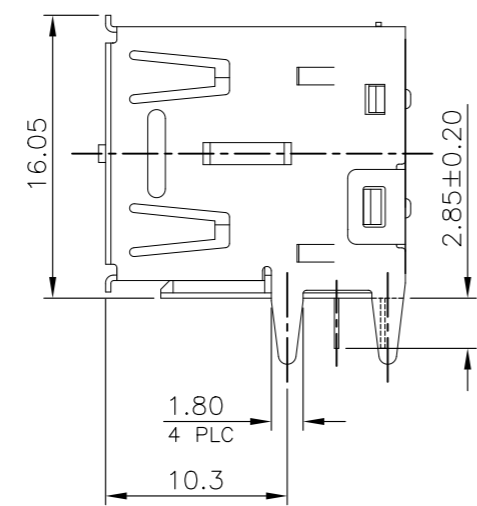
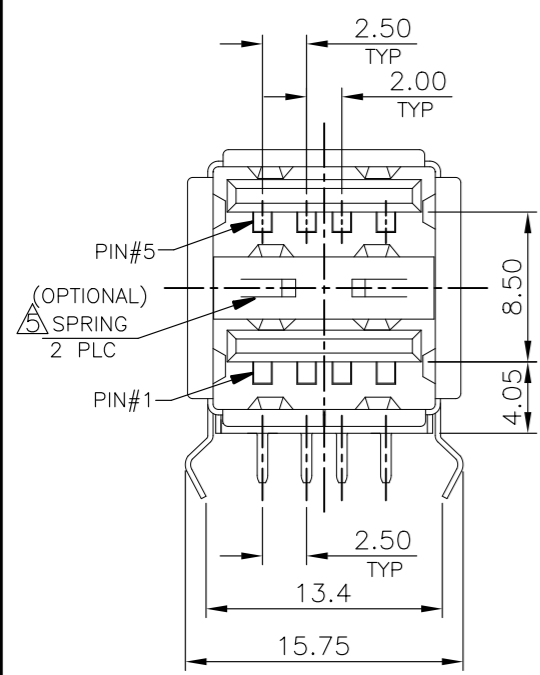


THIS DRAWING IS UNPUBLISHED. RELEASED FOR PUBLICATION
 © COPYRIGHT 2010 BY TYCO ELECTRONICS CORPORATION. ALL RIGHTS RESERVED.

LOC	DIST	REVISIONS			
P	LTR	DESCRIPTION	DATE	DWN	APVD
	C1	REVISED (ECR-17-017717)	12DEC2017	T.Z.	H.W.



RECOMMENDED P.C.B LAYOUT
 TOP VIEW(TOLERANCE: ±0.05)



- NOTES:
- MATERIAL:
 - HOUSING: SEE TABLE
 (PA66 WITH 30% G.F, UL94 V-0, BLACK COLOR.
 OR LCP WITH 30% G.F, UL94 V-0, BLACK COLOR.
 C1 OR PA66 WITH 30% G.F, UL94 V-0, WHITE COLOR.)
 - CONTACT: BRASS, T=0.25.
 - SHELL: SPCC.
 - REAR SHELL: SPCC.
 - SPRING: SPCC.
 - FINISH:
 - CONTACT: GOLD PLATING (SEE TABLE) ON CONTACT AREA, 2.54um [100u"] MIN. BRIGHT-TIN PLATING ON SOLDER TAIL AREA, 1.27um [50u"] MIN. NICKEL UNDERPLATING OVERALL.
 - SHELL: 2.54um [100u"] MIN. BRIGHT-TIN PLATING, 1.27um [50u"] MIN. NICKEL UNDERPLATING OVERALL.
 - REAR SHELL: 1.27um [50u"] MIN. NICKEL PLATING.
 - SPRING : 1.27um [50u"] MIN. NICKEL PLATING.
 - RECOMMENDED P.C.B THICKNESS :1.6mm.
 - WAVE SOLDER CAPABLE TO 265°C PER TE SPEC. 109-202, CONDITION B.
- △ THE SPRING IS OPTIONAL.

0.381um [15u"]	W/ O	PA66(BLACK)	1-1775468-2
	W/	PA66(BLACK)	1-1775468-1
C1	W/	PA66(WHITE)	1775468-3
	W/ O	LCP	1775468-2
GOLD FLASH	W/	PA66(BLACK)	1775468-1
	△ SPRING	HSG MATERIAL	PART NUMBER

DIMENSIONS:		TOLERANCES UNLESS OTHERWISE SPECIFIED:	
mm			
	0 PLC	± -	
	1 PLC	± 0.3	
	2 PLC	± 0.2	
	3 PLC	± 0.15	
	4 PLC	± -	
	ANGLES	± 3'	
MATERIAL	FINISH	SEE NOTE	SEE NOTE
SEE NOTE			

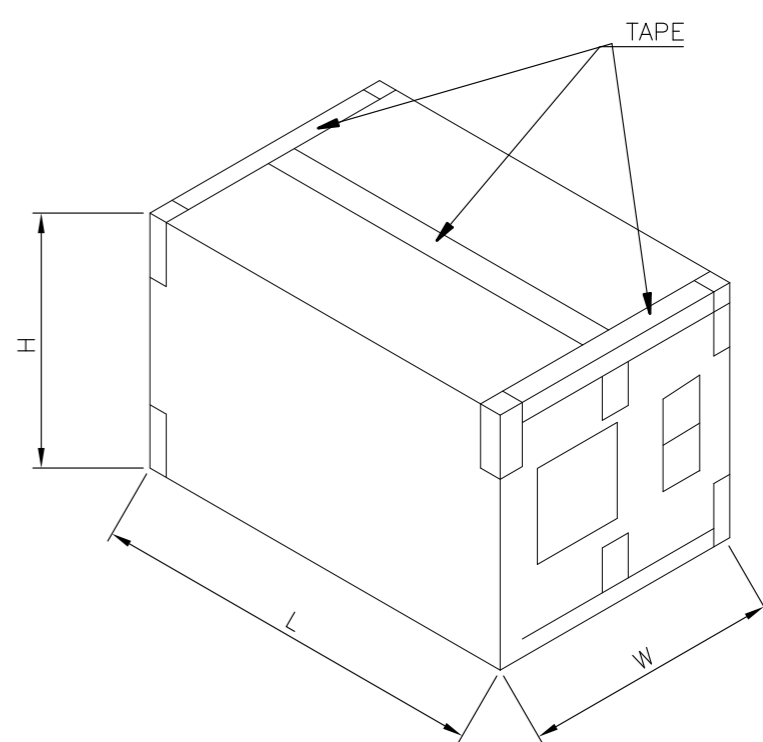
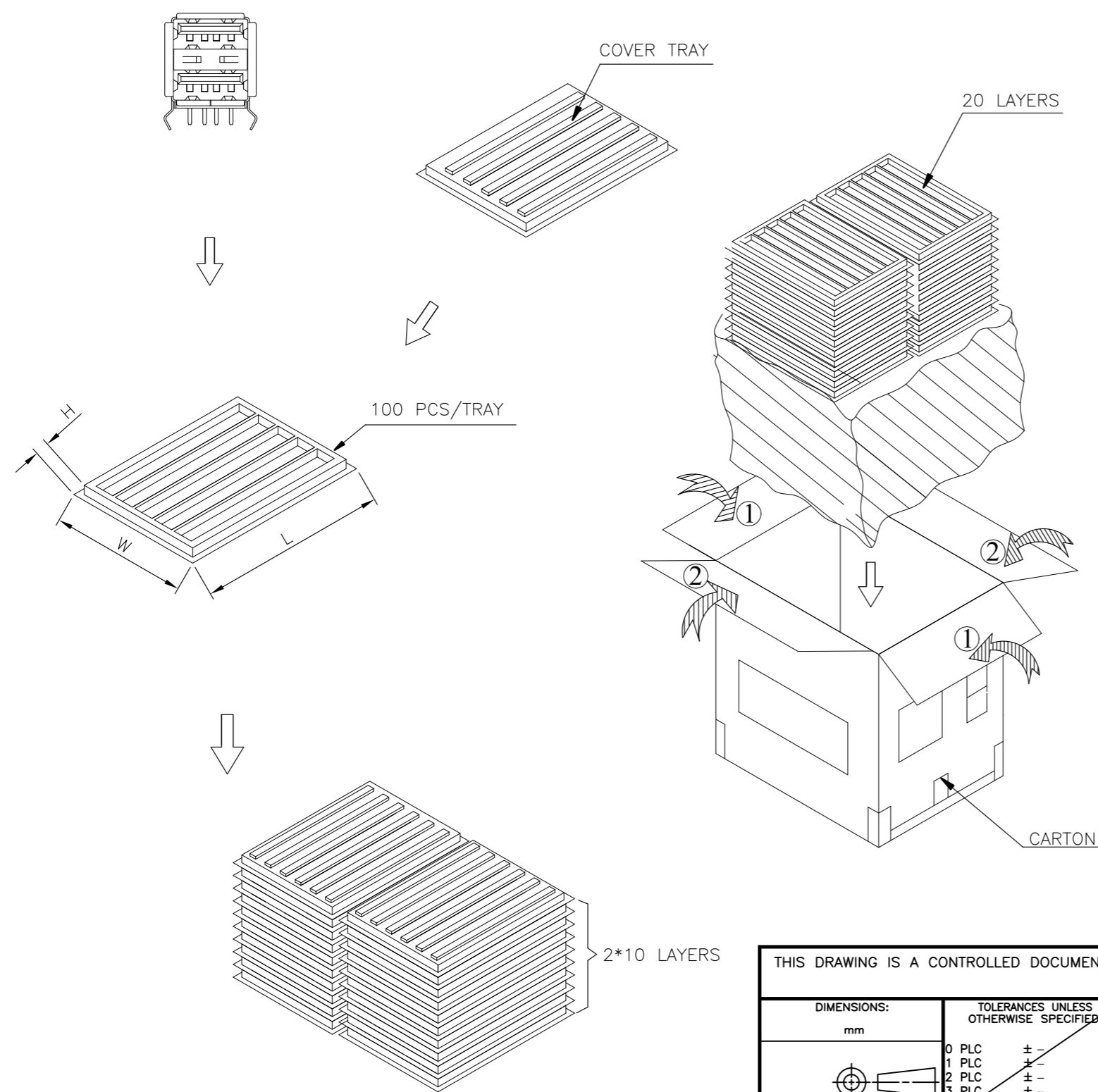
THIS DRAWING IS A CONTROLLED DOCUMENT.			
DWN	J. LEE	30MAR2007	
CHK	S. HOU	30MAR2007	
APVD	W.J. KE	30MAR2007	
PRODUCT SPEC	108-57519		
APPLICATION SPEC			
WEIGHT	5.31 GRAMS		
CUSTOMER DRAWING			
NAME		USB A TYPE, RECEPTACLE DUAL PORT, R/A, DIP CONNECTOR	
SIZE	CAGE CODE	DRAWING NO	RESTRICTED TO
A3	00779	C=1775468	
SCALE	SHEET	1 OF 2	REV C1



THIS DRAWING IS UNPUBLISHED. RELEASED FOR PUBLICATION
 © COPYRIGHT 2010 BY TYCO ELECTRONICS CORPORATION. ALL RIGHTS RESERVED.

LOC		DIST		REVISIONS				
P	LTR	DESCRIPTION			DATE	DWN	APVD	
		SEE SHEET 1.						

- NOTES:
1. DIMENSION:
 TRAY: L= 270, W=235, H=25
 SHIPPING CARTON: L= 485, W=280, H=210
 2. QUANTITY: (SEE TABLE)
 3. CARTON WEIGHT: (SEE TABLE)
 4. PE BAGS SEALED AND ADD DESICCANT.



11.6	10.6	100	20	2000
GROSS WEIGHT	NET WEIGHT	PCS/TRAY	TRAYS/CARTON	PCS/CARTON

THIS DRAWING IS A CONTROLLED DOCUMENT.

DIMENSIONS: mm	TOLERANCES UNLESS OTHERWISE SPECIFIED: 0 PLC ± - 1 PLC ± - 2 PLC ± - 3 PLC ± - 4 PLC ± - ANGLES ± -	DWN - CHK - APVD - PRODUCT SPEC - APPLICATION SPEC - WEIGHT -	TE Connectivity NAME USB A TYPE, RECEPTACLE DUAL PORT, R/A, DIP CONNECTOR	
MATERIAL	FINISH	CUSTOMER DRAWING	SIZE A3	CAGE CODE 00779
			DRAWING NO C=1775468	RESTRICTED TO
			SCALE =	SHEET 2 OF 2
				REV C1