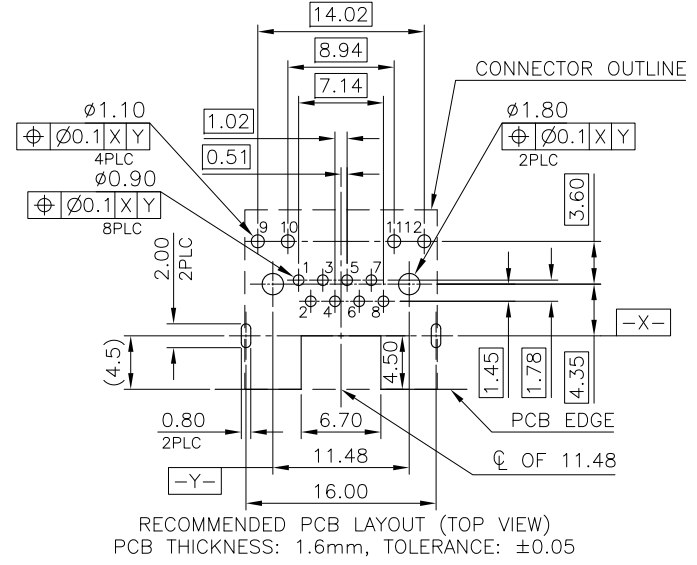
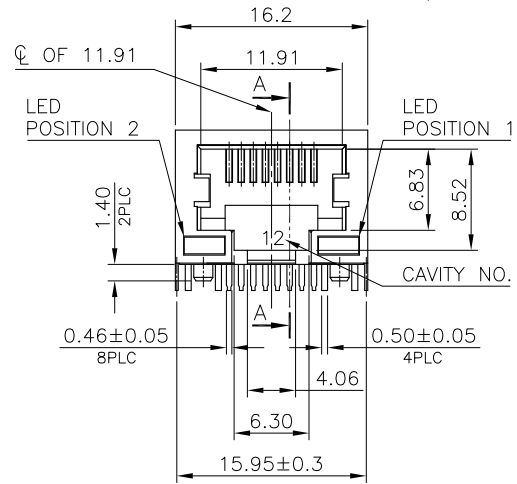
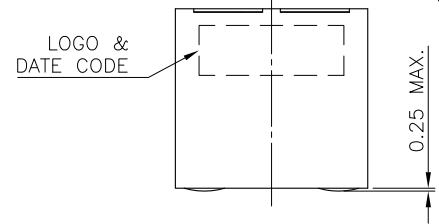
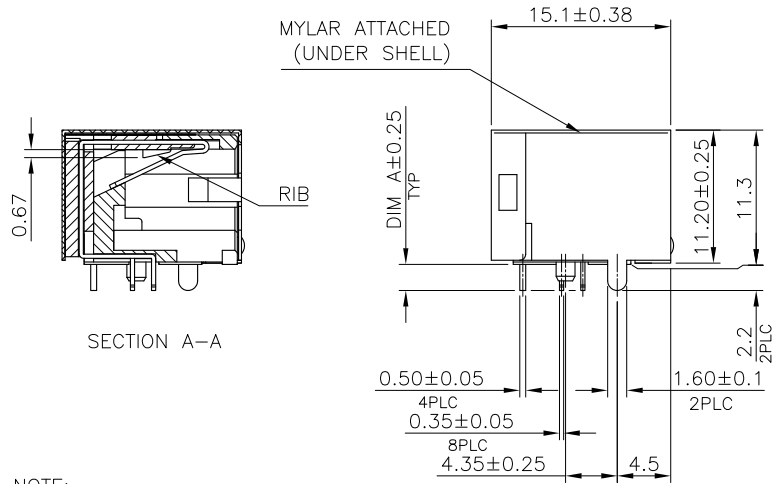
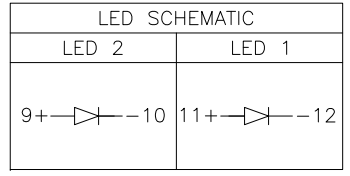
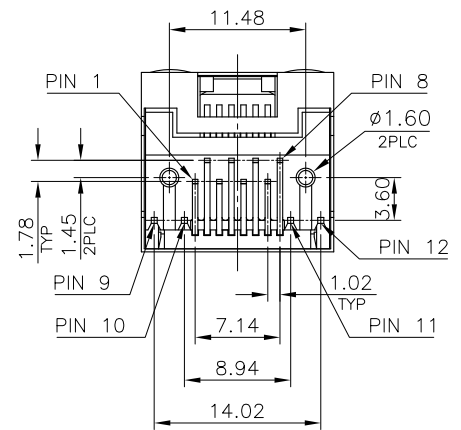


THIS DRAWING IS UNPUBLISHED.  
 RELEASED FOR PUBLICATION  
 © COPYRIGHT 2010 BY TYCO ELECTRONICS CORPORATION. ALL RIGHTS RESERVED.

LOC		DIST		REVISIONS					
DW				P	LTR	DESCRIPTION	DATE	DWN	APVD
				A5		REVISED (ECR-12-012115) OBSOLETE 1734324-6, 3-134324-4	26OCT'12	E.L.	W.K.



- NOTE:
- MATERIAL:
    - HOUSING: PA46, WITH 30% GF, UL94 V-0, BLACK COLOR.
    - INSERT HOUSING: PA46, WITH 30% GF, UL94 V-0, BLACK COLOR.
    - CONTACTS: PHOSPHOR BRONZE.
    - SHELL: BRASS.
    - LED SOLDER TAIL: STEEL.
    - MYLAR: SILICONE POLYMER.
  - FINISH:
    - CONTACTS: (SEE TABLE) GOLD PLATED ON CONTACT AREA. GOLD FLASH ON SOLDER TAIL. 1.27um [50u"] MIN. NICKEL UNDERPLATED OVERALL.
    - SHELL: 0.508um [20u"] MIN. NICKEL PLATED.
    - LED: 1.02um [40u"] COPPER UNDERPLATED OVERALL. 1.27um [50u"] NICKEL OVERALL. 1.27um [50u"] SILVER ON BONDING AREA. 2.54um [100u"] BRIGHT-TIN ON SOLDER AREA.
  - LED MUST BE REFLOW COMPATIBLE TO FOLLOWING TEMPERATURE PROFILE (FOR 1 CYCLE): ABOVE 160°C FOR 120 SECONDS, PEAKING AT 220°C FOR 10 SECONDS.
  - LED DEFECT RATE IS 6000 PPM MAX. AFTER IR REFLOW PROCESS AS NOTE 3.
  - WAVE SOLDER CAPABLE TO 265°C PER TE SPEC 109-202, CONDITION B.
  - OBsolete PARTS: OBSOLETE CIS STREAMLINING PER D.RENAUD/D.SINISI.



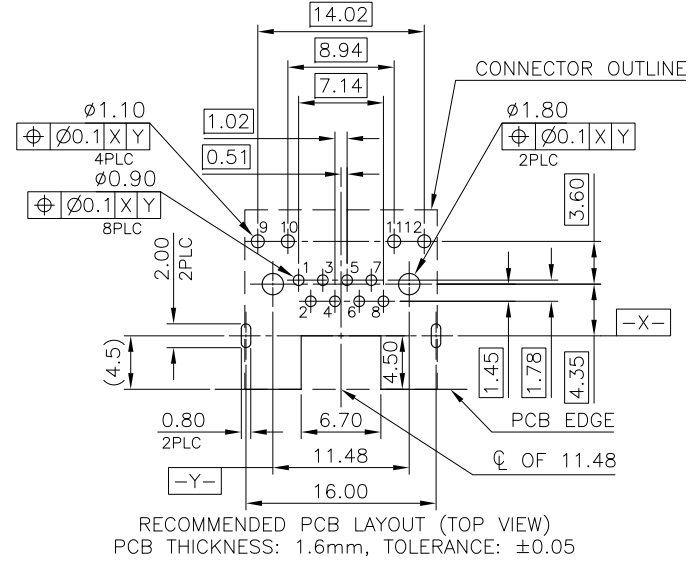
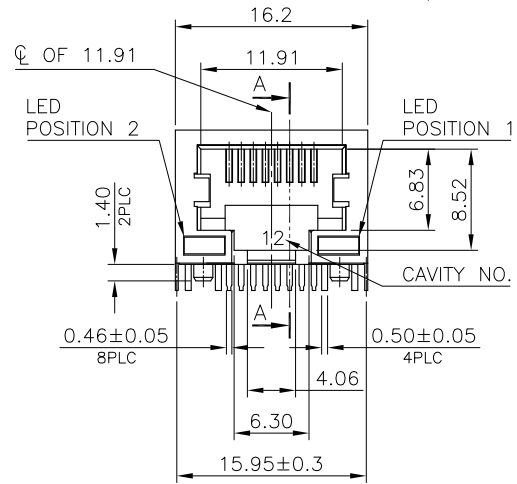
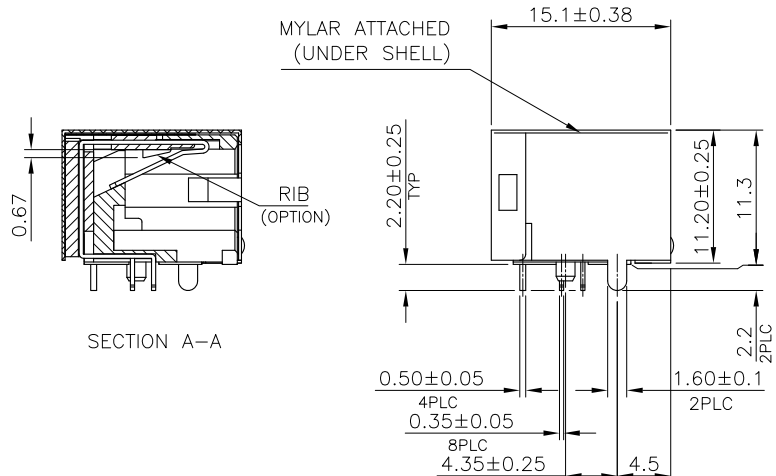
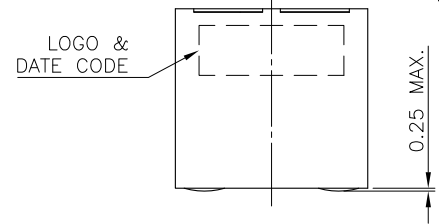
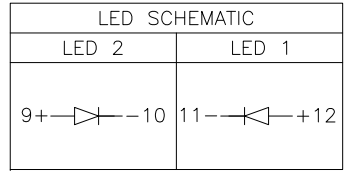
6	OBSOLETE	REEL	YELLOW	GREEN	1.27um [50u"]	1-1734324-8
					0.762um [30u"]	<del>1-1734324-7</del>
6	OBSOLETE	2.2	GREEN	YELLOW	0.381um [15u"]	<del>1-1734324-6</del>
					0.152um [6u"]	<del>1-1734324-5</del>
6	OBSOLETE	TRAY	YELLOW	GREEN	1.27um [50u"]	<del>1-1734324-4</del>
					0.762um [30u"]	1734324-7
6	OBSOLETE	TRAY	YELLOW	GREEN	0.381um [15u"]	<del>1-1734324-3</del>
					0.152um [6u"]	<del>1-1734324-2</del>
6	OBSOLETE	TRAY	GREEN	YELLOW	1.27um [50u"]	<del>1-1734324-8</del>
					0.762um [30u"]	1734324-7
6	OBSOLETE	TRAY	GREEN	YELLOW	0.381um [15u"]	<del>1-1734324-6</del>
					0.152um [6u"]	1734324-5
6	OBSOLETE	TRAY	GREEN	YELLOW	1.27um [50u"]	<del>1-1734324-4</del>
					0.762um [30u"]	1734324-3
6	OBSOLETE	TRAY	GREEN	YELLOW	0.381um [15u"]	<del>1-1734324-2</del>
					0.152um [6u"]	1734324-1
PACKAGE	DIM A	POSITION 2	POSITION 1	MIN. GOLD THICKNESS	PART NUMBER	
		INDICATOR COLOR				

THIS DRAWING IS A CONTROLLED DOCUMENT.

DIMENSIONS: mm	TOLERANCES UNLESS OTHERWISE SPECIFIED:	DWN A. WU 04MAR2008	TE Connectivity
	0 PLC ± - 1 PLC ± 0.3 2 PLC ± 0.2 3 PLC ± 0.15 4 PLC ± - ANGLES ± ± 3'	CHK S. HOU 04MAR2008	
MATERIAL SEE NOTE	FINISH SEE NOTE	APVD W. KODAMA 04MAR2008	NAME MODULAR JACK CONNECTOR RJ45 WITH LED, 8P8C, SHIELDED TAB DOWN, DIP TYPE, H=11.3mm
		PRODUCT SPEC 108-57535	SIZE A3
		APPLICATION SPEC	CAGE CODE 00779
		WEIGHT 4.5 GRAMS	DRAWING NO. C=1734324
		CUSTOMER DRAWING	RESTRICTED TO -
		SCALE	SHEET 1 of 7 REV A5

THIS DRAWING IS UNPUBLISHED.  
 RELEASED FOR PUBLICATION  
 © COPYRIGHT 2010 BY TYCO ELECTRONICS CORPORATION. ALL RIGHTS RESERVED.

LOC		DIST		REVISIONS					
DW				P	LTR	DESCRIPTION	DATE	DWN	APVD
				SEE SHEET 1.					



- NOTE:
- MATERIAL:
    - HOUSING: PA46, WITH 30% GF, UL94 V-0, BLACK COLOR.
    - INSERT HOUSING: PA46, WITH 30% GF, UL94 V-0, BLACK COLOR.
    - CONTACTS: PHOSPHOR BRONZE.
    - SHELL: BRASS.
    - LED SOLDER TAIL: STEEL.
    - MYLAR: SILICONE POLYMER.
  - FINISH:
    - CONTACTS: (SEE TABLE) GOLD PLATED ON CONTACT AREA. GOLD FLASH ON SOLDER TAIL.  
1.27um [50u"] MIN. NICKEL UNDERPLATED OVERALL.
    - SHELL: 0.508um [20u"] MIN. NICKEL PLATED.
    - LED: 1.02um [40u"] COPPER UNDERPLATED OVERALL.  
1.27um [50u"] NICKEL OVERALL.  
1.27um [50u"] SILVER ON BONDING AREA.  
2.54um [100u"] BRIGHT-TIN ON SOLDER AREA.
  - LED MUST BE REFLOW COMPATIBLE TO FOLLOWING TEMPERATURE PROFILE (FOR 1 CYCLE): ABOVE 160°C FOR 120 SECONDS, PEAKING AT 220°C FOR 10 SECONDS.
  - LED DEFECT RATE IS 6000 PPM MAX. AFTER IR REFLOW PROCESS AS NOTE 3.
  - WAVE SOLDER CAPABLE TO 265°C PER TE SPEC 109-202, CONDITION B.
  - OBSELETE PARTS: OBSELETE CIS STREAMLINING PER D.RENAUD/D.SINISI.

△	OBSELETE	W/O TAPE & REEL	YELLOW	GREEN	1.27um[50u"]	<del>3-1734324-8</del>
					0.762um[30u"]	<del>3-1734324-7</del>
					0.381um[15u"]	<del>3-1734324-6</del>
△	OBSELETE	W/ TRAY	GREEN	YELLOW	0.152um[6u"]	<del>3-1734324-5</del>
					1.27um[50u"]	<del>3-1734324-4</del>
					0.762um[30u"]	<del>3-1734324-3</del>
△	OBSELETE	W/ TRAY	YELLOW	GREEN	0.381um[15u"]	<del>3-1734324-2</del>
					0.152um[6u"]	<del>3-1734324-1</del>
					1.27um[50u"]	<del>2-1734324-8</del>
					0.762um[30u"]	<del>2-1734324-7</del>
					0.381um[15u"]	<del>2-1734324-6</del>
					0.152um[6u"]	<del>2-1734324-5</del>
					1.27um[50u"]	<del>2-1734324-4</del>
					0.762um[30u"]	<del>2-1734324-3</del>
					0.381um[15u"]	<del>2-1734324-2</del>
					0.152um[6u"]	<del>2-1734324-1</del>
	RIB	PACKAGE	POSITION 2	POSITION 1	MIN. GOLD THICKNESS	PART NUMBER
			INDICATOR COLOR			

THIS DRAWING IS A CONTROLLED DOCUMENT.

DIMENSIONS: mm	TOLERANCES UNLESS OTHERWISE SPECIFIED:	DWN	
	0 PLC ± -	CHK	
	1 PLC ± 0.3	APVD	
	2 PLC ± 0.2	PRODUCT SPEC	NAME
	3 PLC ± 0.15	APPLICATION SPEC	
	4 PLC ± -	WEIGHT	SIZE
	ANGLES ± 3'		CAGE CODE
MATERIAL	FINISH		DRAWING NO
			RESTRICTED TO

**STE** TE Connectivity

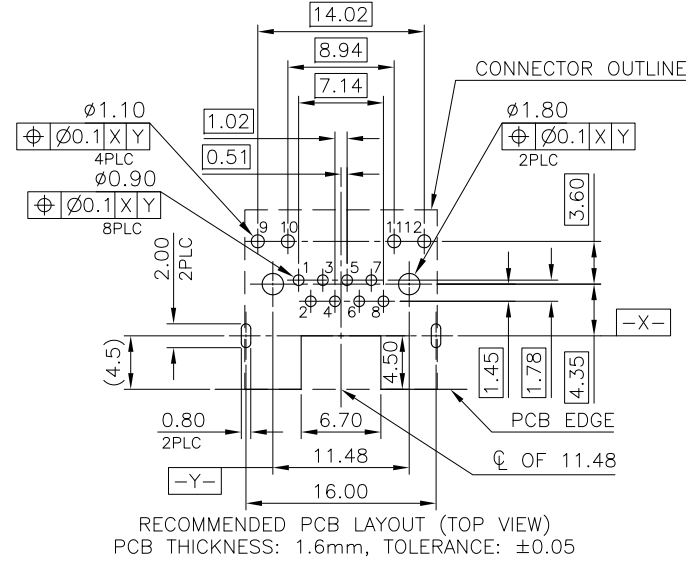
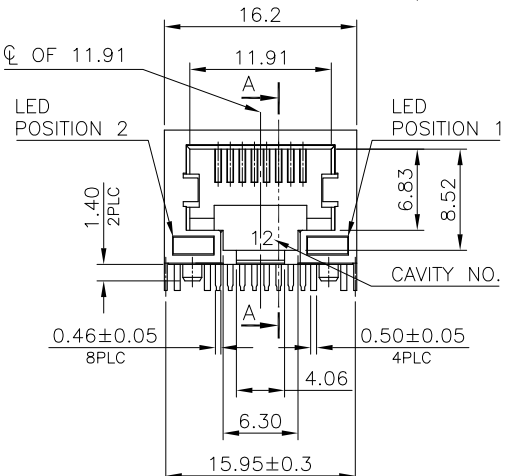
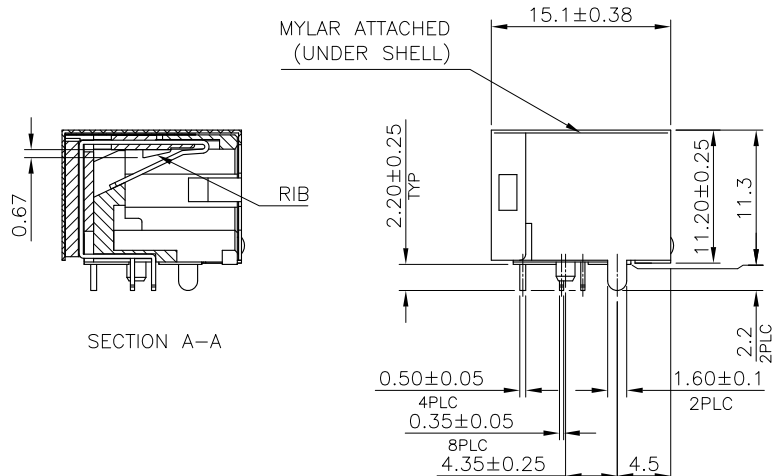
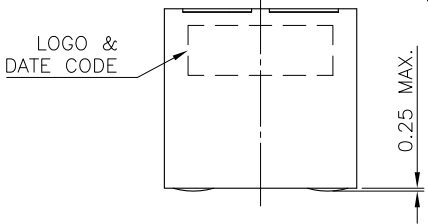
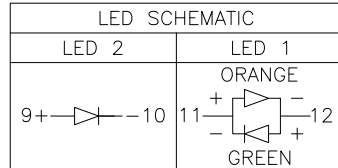
MODULAR JACK CONNECTOR  
 RJ45 WITH LED, 8P8C, SHIELDED  
 TAB DOWN, DIP TYPE, H=11.3mm

A3 00779 ©=1734324

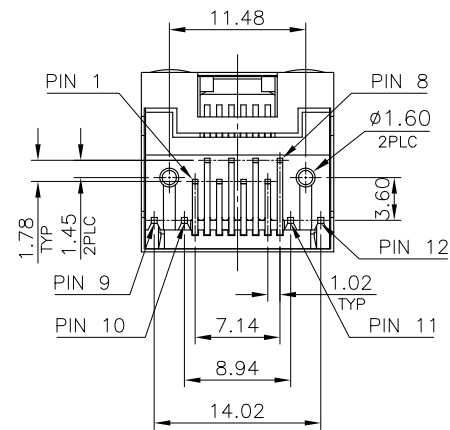
CUSTOMER DRAWING SCALE SHEET 2 of 7 REV A5

THIS DRAWING IS UNPUBLISHED. RELEASED FOR PUBLICATION  
 © COPYRIGHT 2010 BY TYCO ELECTRONICS CORPORATION. ALL RIGHTS RESERVED.

LOC		DIST		REVISIONS					
DW				P	LTR	DESCRIPTION	DATE	DWN	APVD
SEE SHEET 1.									



- NOTE:
- MATERIAL:
    - HOUSING: PA46, WITH 30% GF, UL94 V-0, BLACK COLOR.
    - INSERT HOUSING: PA46, WITH 30% GF, UL94 V-0, BLACK COLOR.
    - CONTACTS: PHOSPHOR BRONZE.
    - SHELL: BRASS.
    - LED SOLDER TAIL: STEEL.
    - MYLAR: SILICONE POLYMER.
  - FINISH:
    - CONTACTS: (SEE TABLE) GOLD PLATED ON CONTACT AREA. GOLD FLASH ON SOLDER TAIL. 1.27um [50u"] MIN. NICKEL UNDERPLATED OVERALL.
    - SHELL: 0.508um [20u"] MIN. NICKEL PLATED.
    - LED: 1.02um [40u"] COPPER UNDERPLATED OVERALL. 1.27um [50u"] NICKEL OVERALL. 1.27um [50u"] SILVER ON BONDING AREA. 2.54um [100u"] BRIGHT-TIN ON SOLDER AREA.
  - LED MUST BE REFLOW COMPATIBLE TO FOLLOWING TEMPERATURE PROFILE (FOR 1 CYCLE): ABOVE 160°C FOR 120 SECONDS, PEAKING AT 220°C FOR 10 SECONDS.
  - LED DEFECT RATE IS 6000 PPM MAX. AFTER IR REFLOW PROCESS AS NOTE 3.
  - WAVE SOLDER CAPABLE TO 265°C PER TE SPEC 109-202, CONDITION B.
  - OBSELETE PARTS: OBSELETE CIS STREAMLINING PER D.RENAUD/D.SINISI.

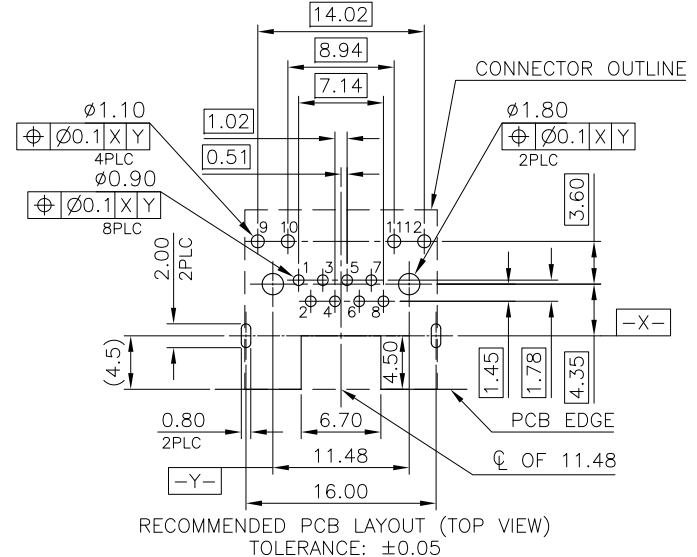
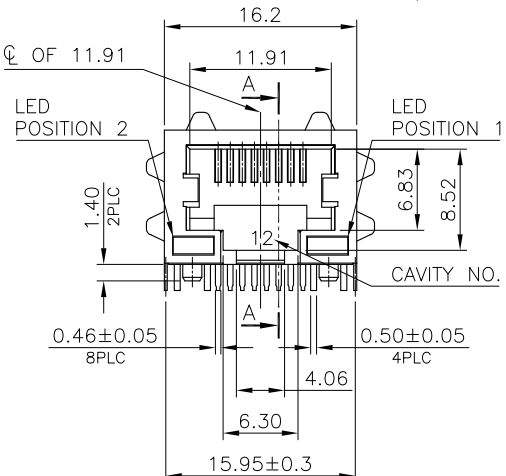
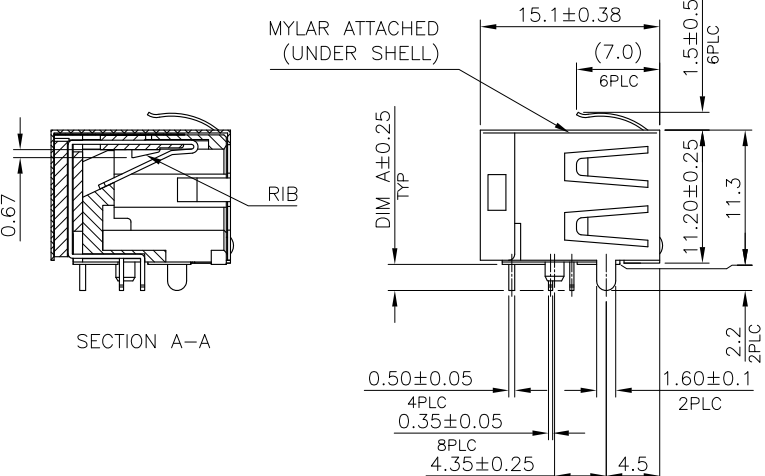
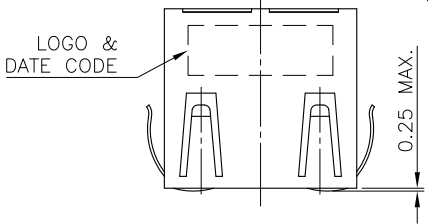
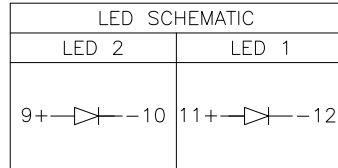


6	OBSELETE	TRAY	GREEN	ORANGE/ GREEN	1.27um[50u"]	<del>4-1734324-4</del>
	0.762um[30u"]				4-1734324-3	
6	OBSELETE	PACKAGE	POSITION 2 INDICATOR COLOR	POSITION 1	0.381um[15u"]	<del>4-1734324-2</del>
					0.152um[6u"]	<del>4-1734324-1</del>
					MIN. GOLD THICKNESS	PART NUMBER

THIS DRAWING IS A CONTROLLED DOCUMENT.		DWN	TE Connectivity			
DIMENSIONS: mm		CHK	NAME			
TOLERANCES UNLESS OTHERWISE SPECIFIED:		APVD	MODULAR JACK CONNECTOR RJ45 WITH LED, 8P8C, SHIELDED TAB DOWN, DIP TYPE, H=11.3mm			
0 PLC ± -		PRODUCT SPEC	SIZE	CAGE CODE	DRAWING NO	RESTRICTED TO
1 PLC ± 0.3		APPLICATION SPEC	A3	00779	C=1734324	
2 PLC ± 0.2		WEIGHT	CUSTOMER DRAWING		SCALE	SHEET 3 of 7
3 PLC ± 0.15						REV A5
4 PLC ± -						
ANGLES ± 3'						
MATERIAL	FINISH					

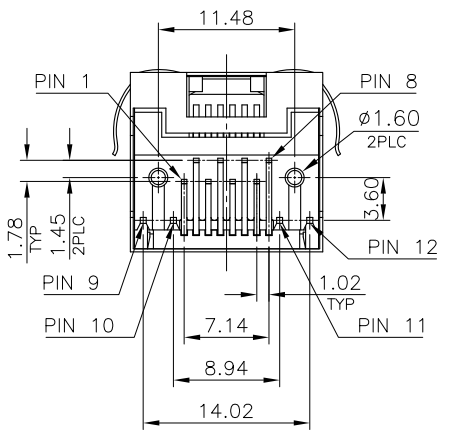
THIS DRAWING IS UNPUBLISHED. RELEASED FOR PUBLICATION  
 © COPYRIGHT 2010 BY TYCO ELECTRONICS CORPORATION. ALL RIGHTS RESERVED.

LOC		DIST		REVISIONS					
DW				P	LTR	DESCRIPTION	DATE	DWN	APVD
				SEE SHEET 1.					



RECOMMENDED PCB THICKNESS	DIM A
1.6	2.2
2.0	3.5

- NOTE:
- MATERIAL:
    - HOUSING: PA46, WITH 30% GF, UL94 V-0, BLACK COLOR.
    - INSERT HOUSING: PA46, WITH 30% GF, UL94 V-0, BLACK COLOR.
    - CONTACTS: PHOSPHOR BRONZE.
    - SHELL: BRASS.
    - LED SOLDER TAIL: STEEL.
    - MYLAR: SILICONE POLYMER.
  - FINISH:
    - CONTACTS: (SEE TABLE) GOLD PLATED ON CONTACT AREA. GOLD FLASH ON SOLDER TAIL. 1.27um [50u"] MIN. NICKEL UNDERPLATED OVERALL.
    - SHELL: 0.508um [20u"] MIN. NICKEL PLATED.
    - LED: 1.02um [40u"] COPPER UNDERPLATED OVERALL. 1.27um [50u"] NICKEL OVERALL. 1.27um [50u"] SILVER ON BONDING AREA. 2.54um [100u"] BRIGHT-TIN ON SOLDER AREA.
  - LED MUST BE REFLOW COMPATIBLE TO FOLLOWING TEMPERATURE PROFILE (FOR 1 CYCLE): ABOVE 160°C FOR 120 SECONDS, PEAKING AT 220°C FOR 10 SECONDS.
  - LED DEFECT RATE IS 6000 PPM MAX. AFTER IR REFLOW PROCESS AS NOTE 3.
  - WAVE SOLDER CAPABLE TO 265°C PER TE SPEC 109-202, CONDITION B.
- ⚠️ OBSOLETE PARTS: OBSOLETE CIS STREAMLINING PER D.RENAUD/D.SINISI.



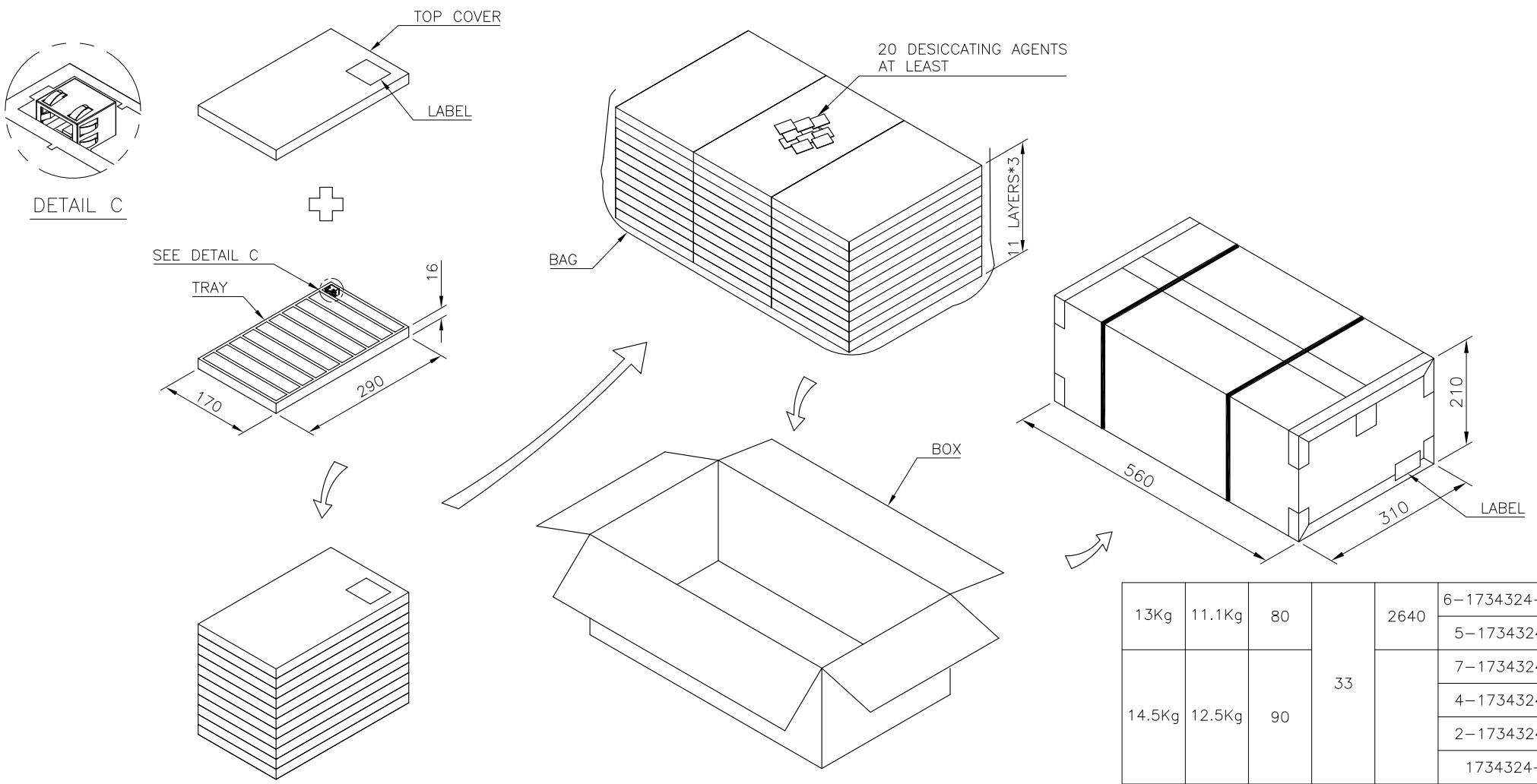
⚠️ OBSOLETE	TRAY	3.5	GREEN	YELLOW	0.762um[30u"]	5-1734324-9			
		2.2	YELLOW	GREEN	1.27um[50u"]	<del>5-1734324-8</del>			
					0.762um[30u"]	<del>5-1734324-7</del>			
					0.381um[15u"]	<del>5-1734324-6</del>			
⚠️ OBSOLETE	PACKAGE	DIM A	POSITION 2	POSITION 1	MIN. GOLD THICKNESS	PART NUMBER			
							INDICATOR COLOR	0.152um[6u"]	<del>5-1734324-5</del>
								1.27um[50u"]	<del>5-1734324-4</del>
0.762um[30u"]	5-1734324-3								
					0.381um[15u"]	<del>5-1734324-2</del>			
					0.152um[6u"]	5-1734324-1			

THIS DRAWING IS A CONTROLLED DOCUMENT.		DWN				
DIMENSIONS: mm		CHK				
TOLERANCES UNLESS OTHERWISE SPECIFIED:		APVD	NAME			
0 PLC ± -		PRODUCT SPEC	MODULAR JACK CONNECTOR			
1 PLC ± 0.3		APPLICATION SPEC	RJ45 WITH LED, 8P8C, SHIELDED			
2 PLC ± 0.2		WEIGHT	SIZE	CAGE CODE	DRAWING NO	RESTRICTED TO
3 PLC ± 0.15		CUSTOMER DRAWING	A3	00779	C-1734324	
4 PLC ± -		SCALE	SHEET		REV	
ANGLES ± 3'			4 of 7		A5	
MATERIAL	FINISH					



THIS DRAWING IS UNPUBLISHED. RELEASED FOR PUBLICATION  
 © COPYRIGHT 2010 BY TYCO ELECTRONICS CORPORATION. ALL RIGHTS RESERVED.

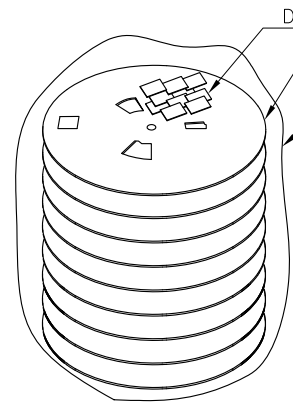
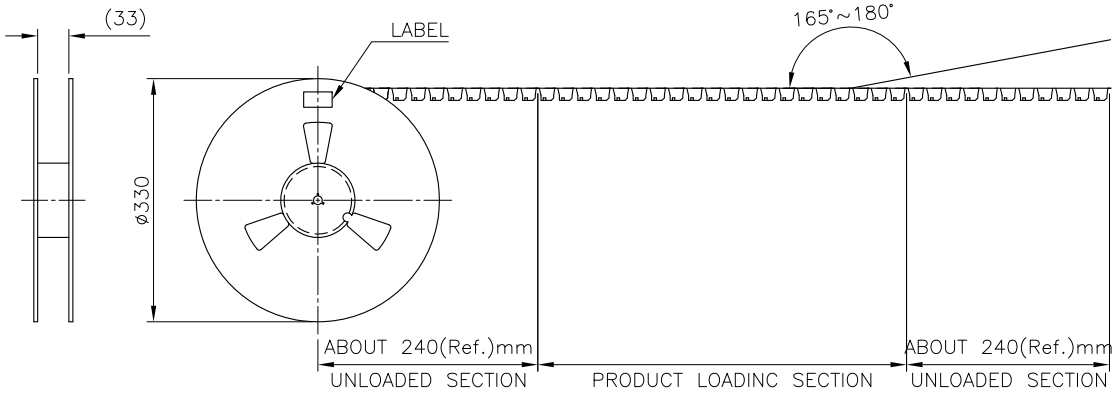
LOC DW	DIST	REVISIONS			
P	LTR	DESCRIPTION	DATE	DWN	APVD
		SEE SHEET 1.			



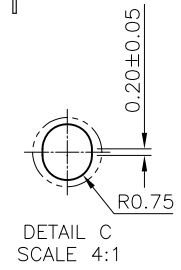
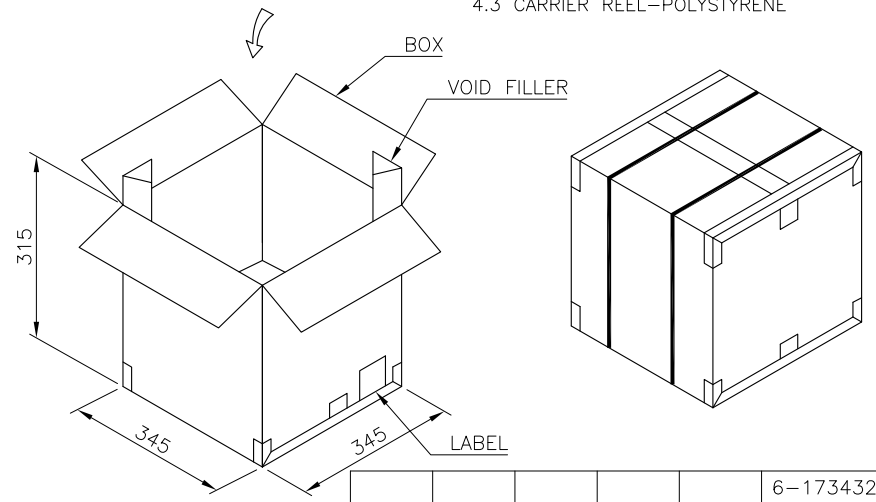
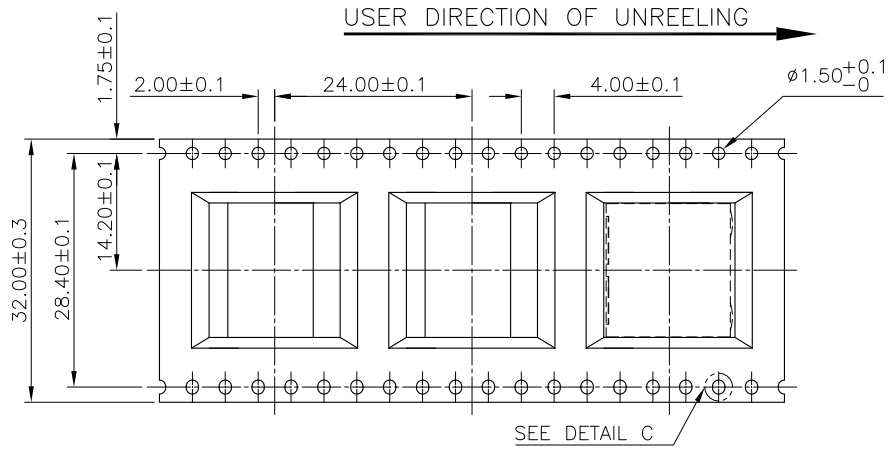
13Kg	11.1Kg	80	33	2640	6-1734324-1~4
14.5Kg	12.5Kg	90			7-1734324-X
					4-1734324-X
					2-1734324-X
					1734324-X
GROSS WEIGHT	NET WEIGHT	PCS /TRAY	TRAY /BOX	PCS /BOX	PART NUMBER

- NOTES:
- MATERIAL:  
TRAY: PVC.  
BOX: CORRUGATED FIBER.
  - DIMENSION: SEE DRAWING
  - QUANTITY: SEE TABLE
  - WEIGHT: SEE TABLE

THIS DRAWING IS A CONTROLLED DOCUMENT.		DWN	TE Connectivity		
DIMENSIONS: mm		CHK	NAME		
TOLERANCES UNLESS OTHERWISE SPECIFIED:		APVD	MODULAR JACK CONNECTOR		
0 PLC ± - 1 PLC ±0.3 2 PLC ±0.2 3 PLC ±0.15 4 PLC ± - ANGLES ± 3°		PRODUCT SPEC	RJ45 WITH LED, 8P8C, SHIELDED		
MATERIAL		APPLICATION SPEC	TAB DOWN, DIP TYPE, H=11.3mm		
FINISH		WEIGHT	SIZE	CAGE CODE	DRAWING NO
		CUSTOMER DRAWING	A3	00779	©=1734324
			RESTRICTED TO		
			SCALE	SHEET	REV
				6 of 7	A5



- NOTE:
- EACH BAG SHALL BE INCLUDED:  
\*DESICCANT
  - PEELING STRENGTH: 0.1~1.3N(1~130 GRAMS) FOR 12~56mm WIDE CARRIER TAPES
  - PEELING SPEED: 300mm/MINUTES.
  - PACKAGING MATERIAL:  
4.1 COVER TAPE—COMPOSITE OF POLYETHYLENE TEREPHTHALATE (PET)  
4.2 CARRIER—POLYSTYRENE (PS)  
4.3 CARRIER REEL—POLYSTYRENE



8.5KG	6.1KG	180	8	1440	6-1734324-5~8
					3-1734324-X
					1-1734324-X
GROSS WEIGHT	NET WEIGHT	PCS /REEL	REEL /BOX	PCS /BOX	PART NUMBER

THIS DRAWING IS A CONTROLLED DOCUMENT.

DIMENSIONS: mm	TOLERANCES UNLESS OTHERWISE SPECIFIED:	DWN	TE Connectivity
	0 PLC ± 1 PLC ±0.3 2 PLC ±0.2 3 PLC ±0.15 4 PLC ± ANGLES ± 3'	CHK	NAME
MATERIAL	FINISH	APVD	MODULAR JACK CONNECTOR RJ45 WITH LED, 8P8C, SHIELDED TAB DOWN, DIP TYPE, H=11.3mm
		PRODUCT SPEC	SIZE CAGE CODE DRAWING NO RESTRICTED TO
		APPLICATION SPEC	A3 00779 C=1734324
		WEIGHT	CUSTOMER DRAWING SCALE SHEET 7 of 7 REV A5