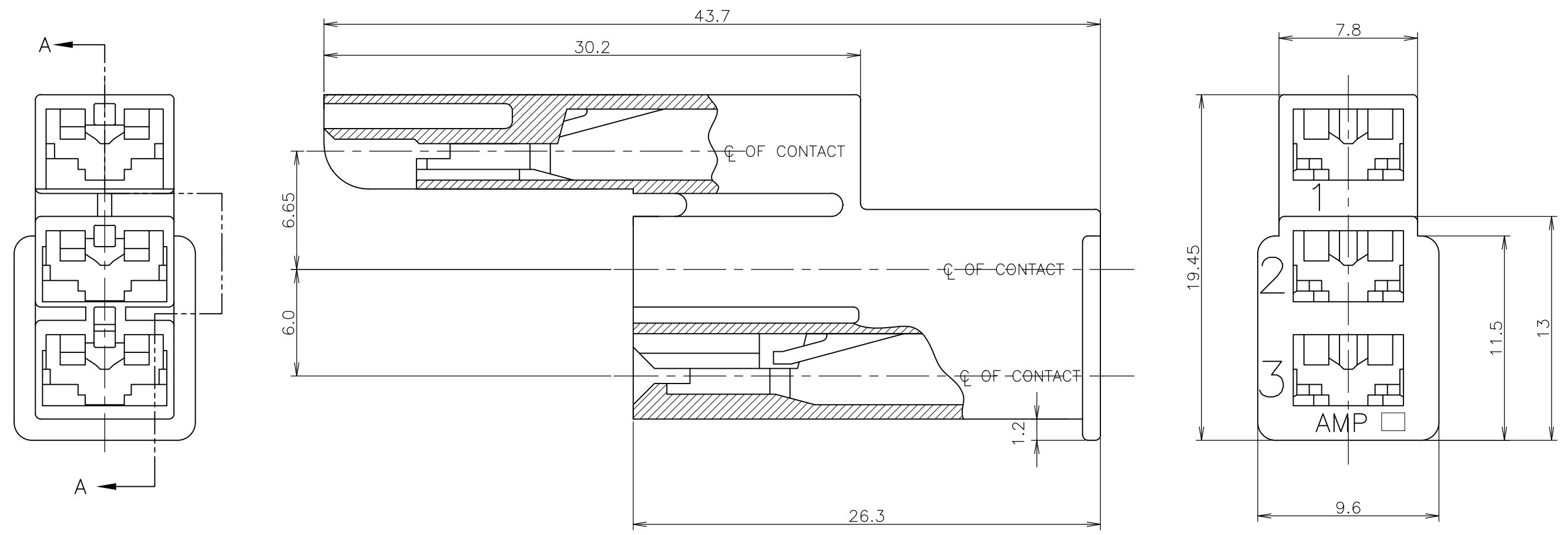


THIS DRAWING IS UNPUBLISHED. RELEASED FOR PUBLICATION DEC, 1979.
 © COPYRIGHT 1979 By Tyco Electronics Japan G.K. ALL RIGHTS RESERVED.

REVISIONS 変更				
P	LTR	DESCRIPTION	DATE	APVD
	E8	REVISED PER ECR-19-002938	22FEB2019	BH E.W



SECTION A-A

- 1 PRODUCT SPEC : 108-5126
- 2 APPLIED CONTACT P/N : 170324,170325,170326
- 3 THIS CONNECTOR APPLIED FOR 3 POS. MICRO SWITCH.
- 4 SEE CP79-25225 FOR APPLIED TAB.
- Ⓐ MATERIAL : 6/6 NYLON (94V-2)
- Ⓑ MATERIAL : 6/6 NYLON (94V-0)
- Ⓓ OBSOLETE PARTS : OBSOLETE CIS STREAMLINING PER D.RENAUD/D.SINISI
- Ⓔ MATERIAL : PA66, UL94 V-0, GWIT 775°C

	2-172075-1	Ⓔ	NATURAL
Ⓓ	1-172075-7	Ⓓ	(RED)
	1-172075-6	Ⓓ	(BLUE)
Ⓓ	1-172075-5	Ⓓ	(GREEN)
Ⓓ	1-172075-4	Ⓓ	(YELLOW)
	1-172075-1	Ⓓ	(NATURAL)
	172075-7	Ⓓ	(RED)
	172075-6	Ⓓ	(BLUE)
OBSOLETE	172075-5	Ⓓ	(GREEN)
	172075-4	Ⓓ	(YELLOW)
	172075-1	Ⓓ	(NATURAL)
	PART NUMBER		(COLOR)

THIS DRAWING IS A CONTROLLED DOCUMENT.		DWN H.YAMADA 12DEC1979	STE TE Connectivity	
DIMENSIONS: 単位: 耗 mm		CHK A.TOMITA 12DEC1979		
TOLERANCES UNLESS OTHERWISE SPECIFIED: 一般公差		APVD Y.SATO 08APR1980	NAME 名称	
0-PLC ±		PRODUCT SPEC 製品規格	187 SERIES 3 POS. POSITIVE LOCK	
1-PLC ±0.4		APPLICATION SPEC 取付適用規格	MK-II HSG	
2-PLC ±		WEIGHT	187シリーズ 3極ポジティブロック マークII ハウジング	
3-PLC ±		CUSTOMER DRAWING	SIZE A3	CAGE CODE 00779
4-PLC ±			DRAWING NO. 番号 C-172075	RESTRICTED TO
ANGLES ±		SCALE 尺度 4:1		
FINISH 仕上		SHEET 1 OF 1		
MATERIAL 材料 注記参照 見記参照 Ⓐ Ⓑ Ⓓ Ⓔ		REV E8		

PROJ.NO. 716-211

A