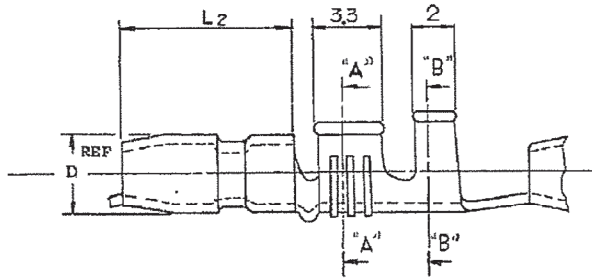
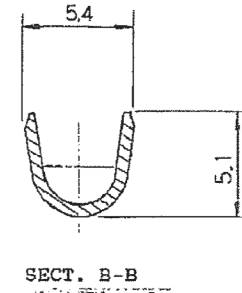
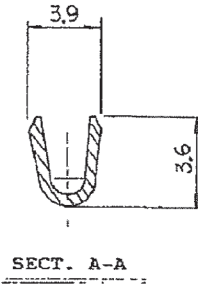
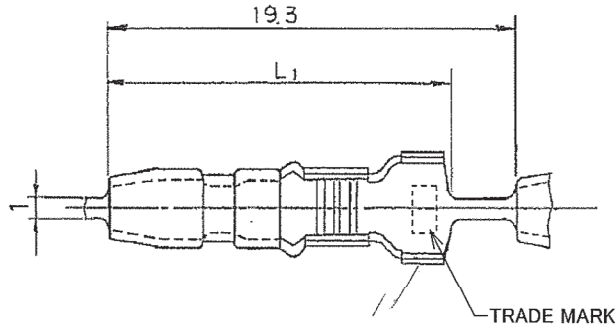


C-170002

PRINT FIRST
DIM : 1:1 DIMENSIONS IN MM, DO NOT SCALE PRINT



NOTE

- △ THESE ITEMS ARE FOR USE OTHER THAN IN JAPAN.
- △ GENERAL TOLERANCES; ±0.4
- △ OBSOLETE PARTS: OBSOLETE CIS STREAMLINING PER D.RENAUD/D.SINISI

注記

- △ 海外向け製品。
- △ 一般公差; ±0.4

△	OBSOLETE	1700028	17.0	8.7	4.0	7000	108-5003	BRASS	0.5F	PRE-TIN
	OBSOLETE	31700024	17.0	8.7	4.0	15000	108-5003	PHOS-BZ	0.5F	POST-TIN
	OBSOLETE	3-3	17.0	8.7	4.0	15000	-5003			
	OBSOLETE	3-2	15.8	7.3	3.5	15000	-5004			POST-TIN
	OBSOLETE	3-1	15.8	7.3	3.5	15000	-5004	PHOS-BZ	0.5F	
	OBSOLETE	2-5	17.0	8.7	4.0	20000	-5003	BRASS	0.5F	
	△	1-7	15.8	7.3	3.5	25000	-5004			
	OBSOLETE	1-6	17.0	8.7	4.0	25000	-5003			
	OBSOLETE	1-5	17.0	8.7	4.0	25000	-5003			
	OBSOLETE	1-4	17.0	8.7	4.0	20000	-5003			POST-TIN
	△	1-2	15.8	7.3	3.5	20000	-5004			POST-TIN
	△	1-1	15.8	7.3	3.5	20000	-5004			
		7	17.0	8.7	4.0	7000	-5004			
		5	17.0	8.7	4.0	5000	-5003			
		4	17.0	8.7	4.0	7000	-5003			POST-TIN
		1700022	15.8	7.3	3.5	7000	108-5004	BRASS	0.5F	POST-TIN

PART NO. LOOSE PCS NO		L1 DIM L2 DIM		D DIM		QTY/REEL	PROD SPEC NO.	MATERIAL	FINISH
STE TE Connectivity									
WIRE RANGE		INSULATION DIA.		NAME					
25-27 AWG		2.5-3.8 mm		シエアプラグ SHUR PLUG					
MATERIAL		FINISH		SIZE		LOC		REV (NO)	
SEE TABLE		SEE TABLE		C		J		C-170002	
LTR		REV		APP		REV		SHEET	
R3		R2		CHK		R3		1-1	

R3	REVISED PER ECR-19-012286	PC	TD	20SEP19
R2	REVISED PER ECO-11-005030	RK	HMR	22MAR11
LTR	REVISED PER ECR-19-012286	DR	CHK	DATE