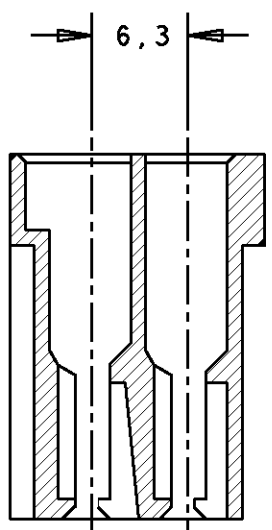
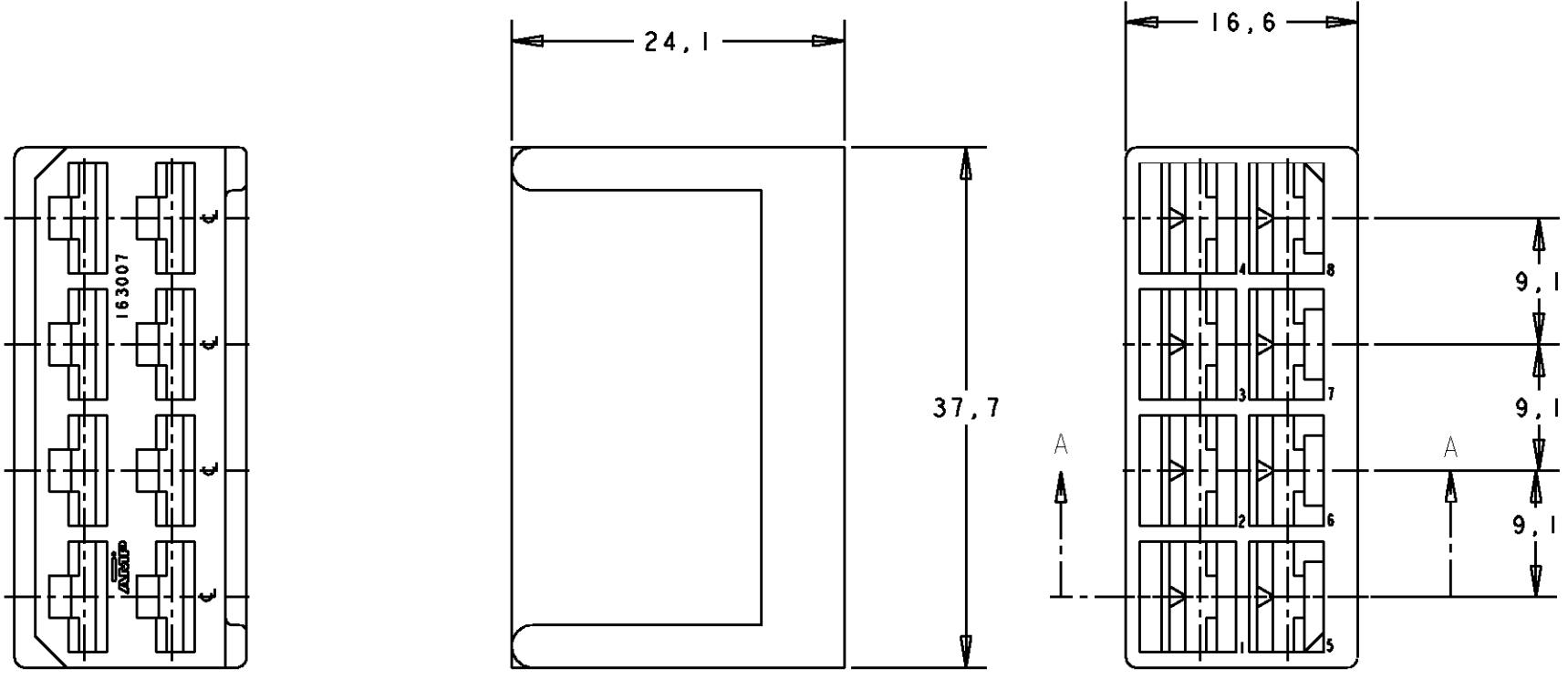


THIS DRAWING IS UNPUBLISHED. RELEASED FOR PUBLICATION
 © COPYRIGHT - BY ALL RIGHTS RESERVED.

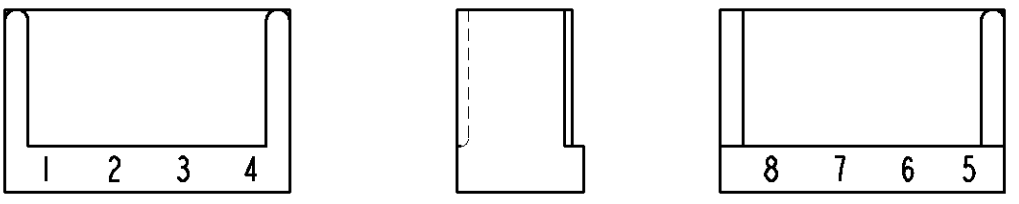
LOC	DIST	REVISIONS			
P	LTR	DESCRIPTION	DATE	DWN	APVD
H	-	D1	REVISED PER ECO-11-005294	28APR11	RK HMR
		D2	ECR-14-014169	28SEP14	MD DL

DIMENSIONS IN mm



SECTION A-A

THESE VIEWS SHOW THE EXTRA NUMBERING FOR: 1-163007-0



ORDER NO.	COLOUR	MATERIAL
1-163007-0	CLEAR	NYLON ZYTEL 101
163007-9	ORANGE	NYLON ZYTEL 101
163007-8	VIOLET	NYLON ZYTEL 101
163007-7	GREY	NYLON ZYTEL 101
163007-6	BROWN	NYLON ZYTEL 101
163007-5	BLACK	NYLON ZYTEL 101
163007-4	YELLOW	NYLON ZYTEL 101
163007-3	BLUE	NYLON ZYTEL 101
163007-2	GREEN	NYLON ZYTEL 101
163007-1	RED	NYLON ZYTEL 101
163007-0	CLEAR	NYLON ZYTEL 101

DIMENSIONS: - mm 	TOLERANCES UNLESS OTHERWISE SPECIFIED: 0 PLC ± - 1 PLC ± - 2 PLC ± - 3 PLC ± - 4 PLC ± - ANGLES ± - MATERIAL - FINISH -	DWN RvHEUVEN 14AUG07		NAME 8 WAY FAST-IN-ON RECEPT. HOUSING		
		CHK MvDRIEL 14AUG07				
APVD MvDRIEL 14AUG07	SIZE A3	CAGE CODE 00779			DRAWING NO C-163007	RESTRICTED TO -
PRODUCT SPEC -	CUSTOMER DRAWING				SCALE NTS	
		APPLICATION SPEC -	SHEET 1 OF 1			
		WEIGHT -	REV D2			