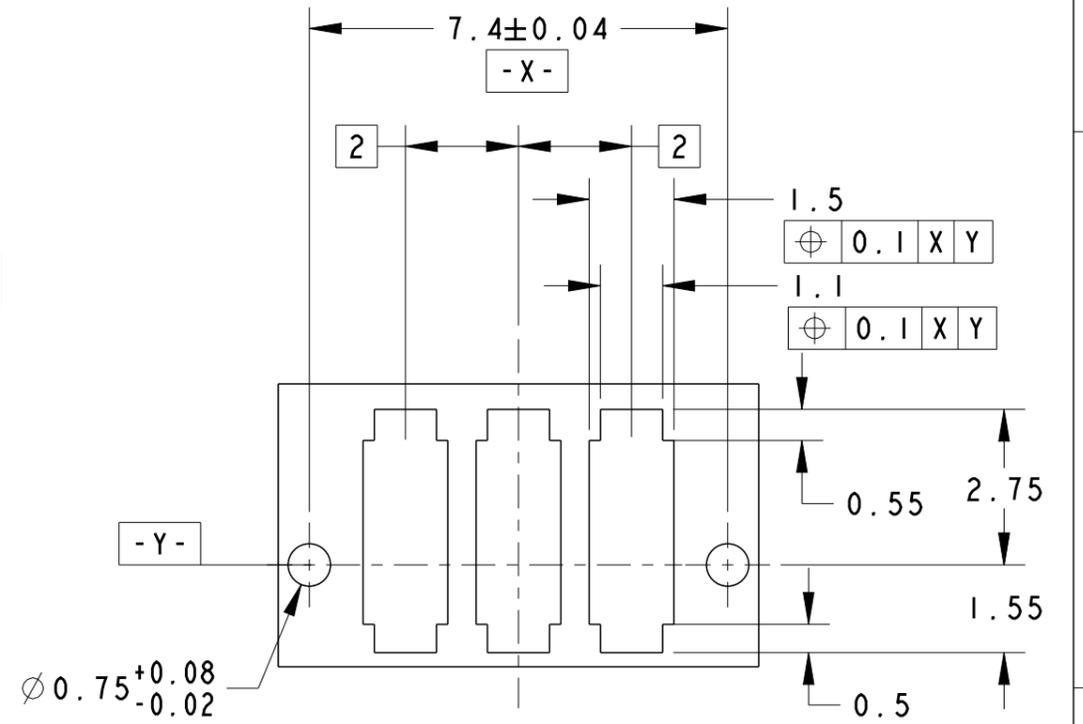
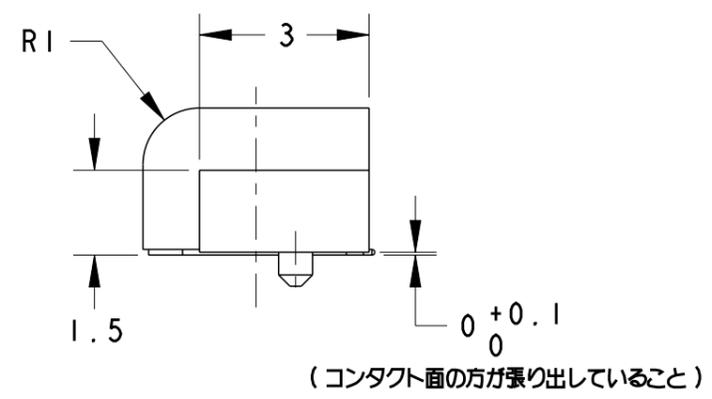
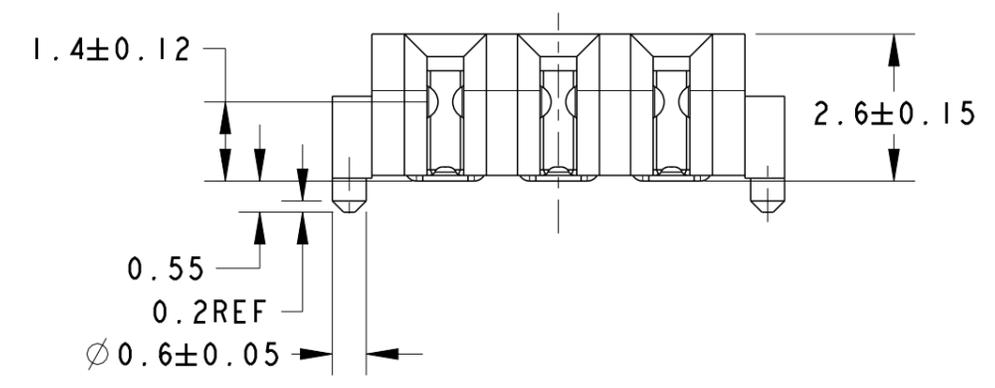
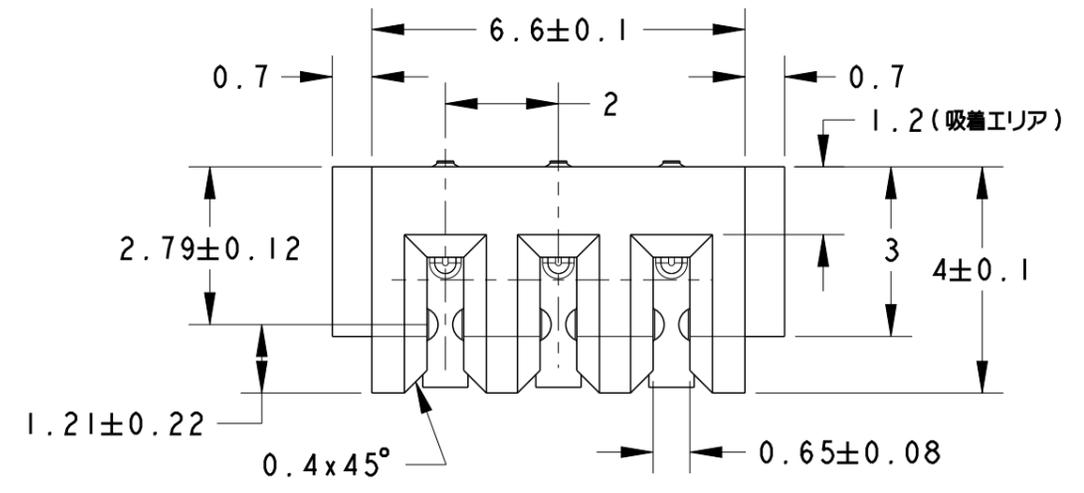
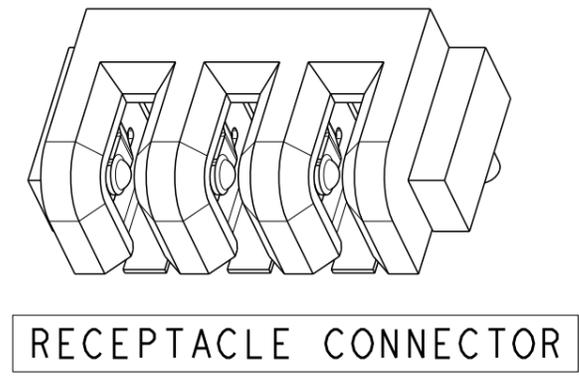


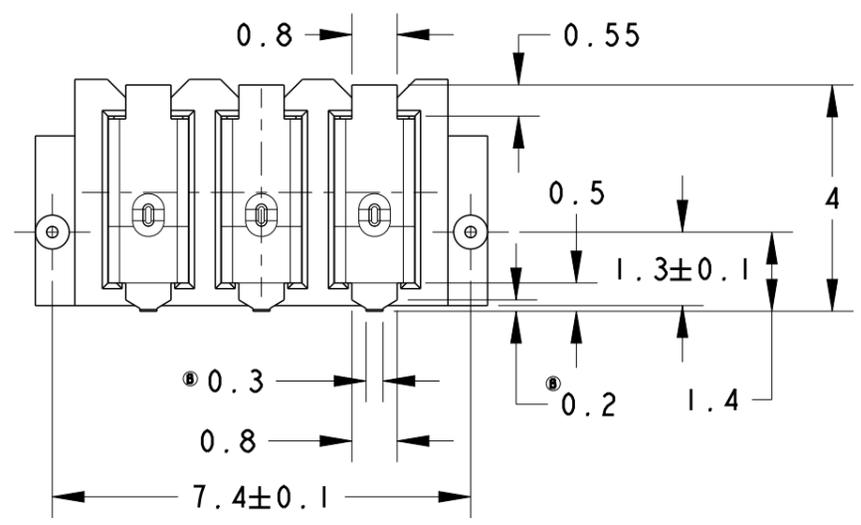
THIS DRAWING IS UNPUBLISHED. RELEASED FOR PUBLICATION 20
 © COPYRIGHT 2002 BY TYCO ELECTRONICS CORPORATION. ALL RIGHTS RESERVED.

LOC	DIST	REVISIONS			
P	LTR	DESCRIPTION	DATE	DWN	APVD
J	-	B	REVISED	30MAR2010	Y. H Y. N

- 1 ; 本図
 - 1 ; AS SHOWN



- ① 材料
 ハウジング; 熱可塑性樹脂, UL 94V-0, 黒
 コンタクト; 銅合金
- ② 仕上げ
 コンタクト; 全面ニッケル下地めっき
 接触部; 金めっき
 半田付け部; 金フラッシュ
- ① MATERIAL
 HOUSING; THERMOPLASTIC RESIN, UL94V-0, BLACK
 CONTACT; COPPER ALLOY
- ② FINISH
 CONTACT; ALL OVER Ni UNDER PLATING.
 CONTACT AREA; GOLD PLATING
 SOLDERING AREA; GOLD FLASH



THIS DRAWING IS A CONTROLLED DOCUMENT FOR TYCO ELECTRONICS CORPORATION
 IT IS SUBJECT TO CHANGE AND THE CONTROLLING ENGINEERING ORGANIZATION
 SHOULD BE CONTACTED FOR THE LATEST REVISION.

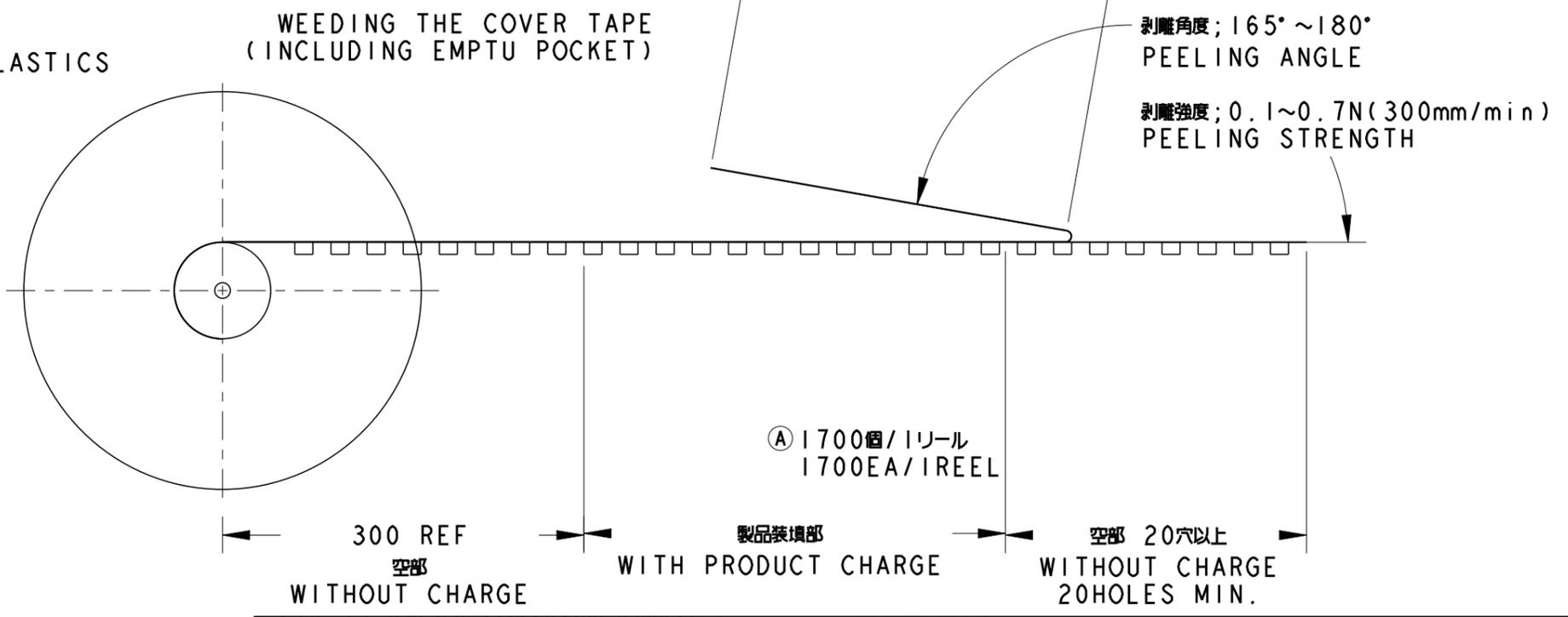
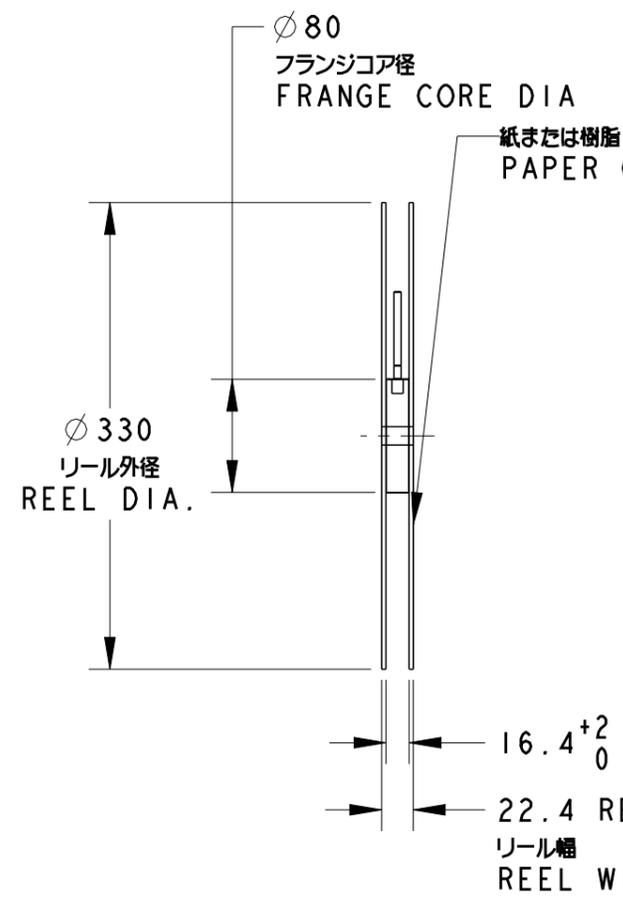
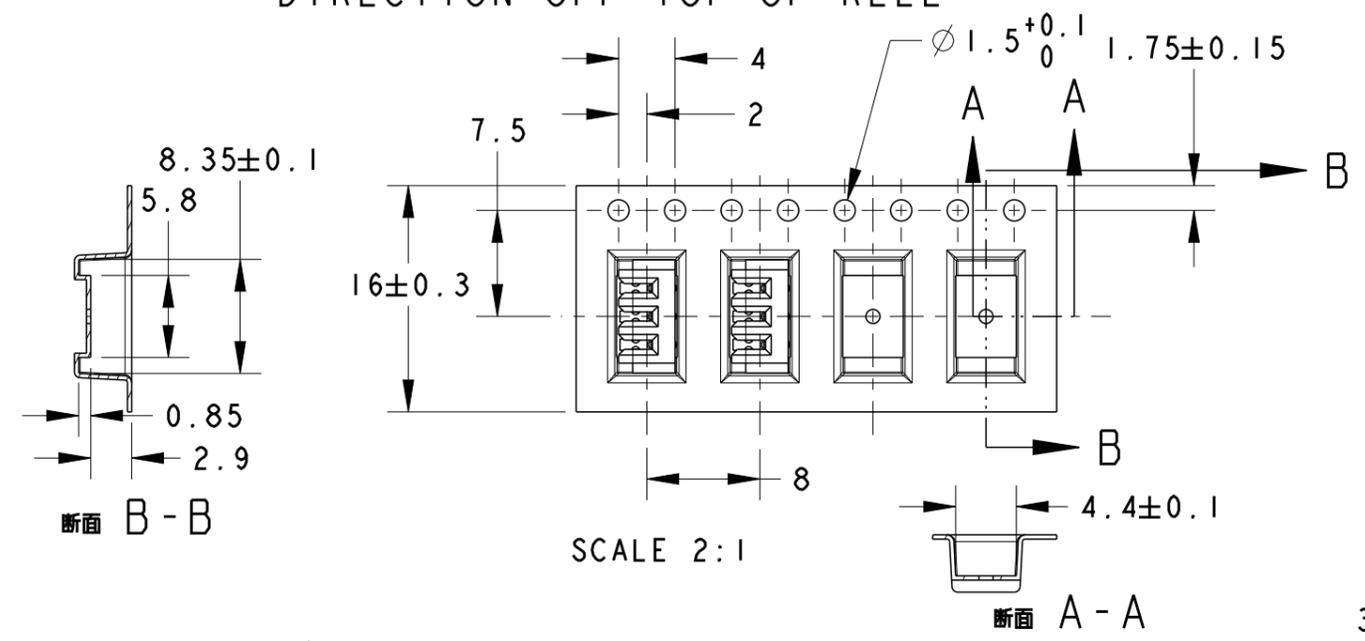
DIMENSIONS:	TOLERANCES UNLESS OTHERWISE SPECIFIED:
mm	0 PLC ±0.2
	1 PLC ±0.2
	2 PLC ±0.2
	3 PLC ±0.2
	4 PLC ±0.2
	ANGLES ±2
MATERIAL	FINISH
①	②

DWN C. OHASHI 20SEP2002	Tyco Electronics Corporation. Kawasaki, Japan	
CHK K. Ikegami 25SEP2002	NAME BATTERY BLOCK CONNECTOR RECEPTACLE ASSY 3POS 2MM PITCH	
APVD K. KODAIRA 25SEP2002	PRODUCT SPEC 108-5846	RESTRICTED TO
APPLICATION SPEC	SIZE A3	CAGE CODE 00779
WEIGHT 0.12g	DRAWING NO C-1612901	REV B
CUSTOMER DRAWING	SCALE 8/1	SHEET 1 OF 2

THIS DRAWING IS UNPUBLISHED. RELEASED FOR PUBLICATION 20
 © COPYRIGHT 2002 BY TYCO ELECTRONICS CORPORATION. ALL RIGHTS RESERVED.

LOC	DIST	REVISIONS			
P	LTR	DESCRIPTION	DATE	DWN	APVD
J	-	SEE SHEET 1	-	-	-

テープ引き出し方向
 DIRECTION OFF TOP OF REEL



<small>THIS DRAWING IS A CONTROLLED DOCUMENT FOR TYCO ELECTRONICS CORPORATION IT IS SUBJECT TO CHANGE AND THE CONTROLLING ENGINEERING ORGANIZATION SHOULD BE CONTACTED FOR THE LATEST REVISION.</small>		DWN 20SEP2002 C. OHASHI CHK 25SEP2002 K. IKEGAMI APVD 25SEP2002 K. KODAIRA PRODUCT SPEC 108-5846 APPLICATION SPEC	Tyco Electronics Tyco Electronics Corporation. Kawasaki, Japan
DIMENSIONS: mm 	TOLERANCES UNLESS OTHERWISE SPECIFIED: 0 PLC ±0.2 1 PLC ±0.2 2 PLC ±0.2 3 PLC ±0.2 4 PLC ±0.2 ANGLES ±2 FINISH	NAME BATTERY BLOCK CONNECTOR REEPTACLE ASSY 3POS 2MM PITCH	RESTRICTED TO -
MATERIAL		WEIGHT 0.12g SIZE A3 CAGE CODE 00779 DRAWING NO C-1612901	
CUSTOMER DRAWING		SCALE 8/1	SHEET 2 OF 2 REV B