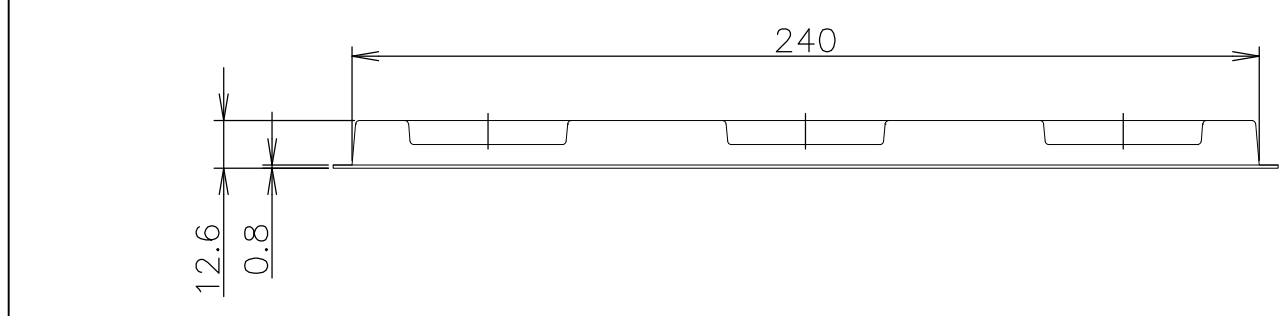
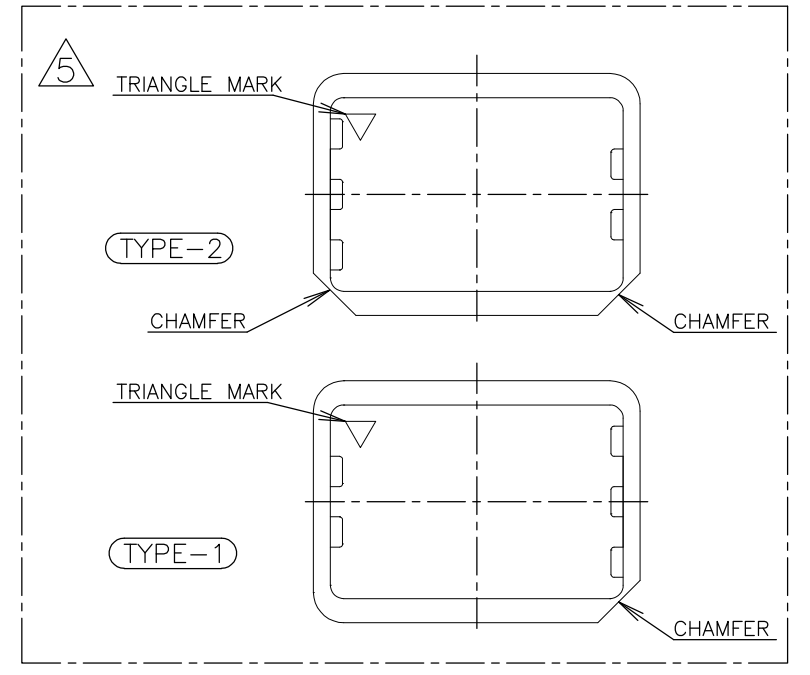
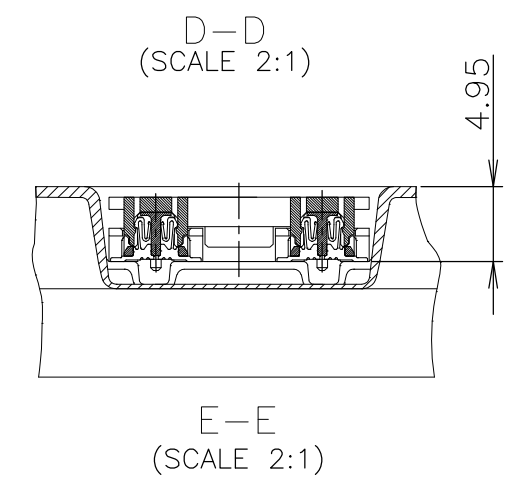
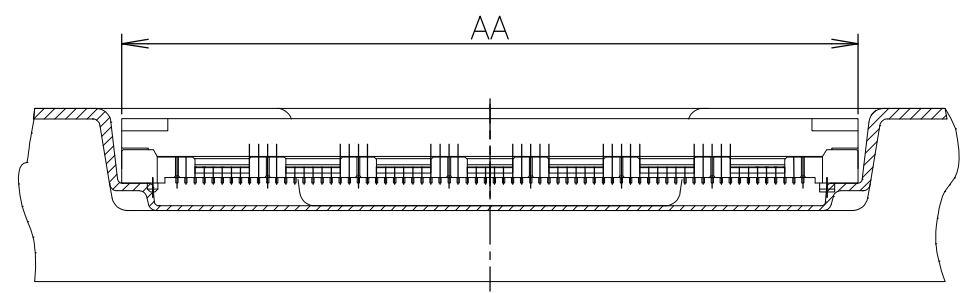
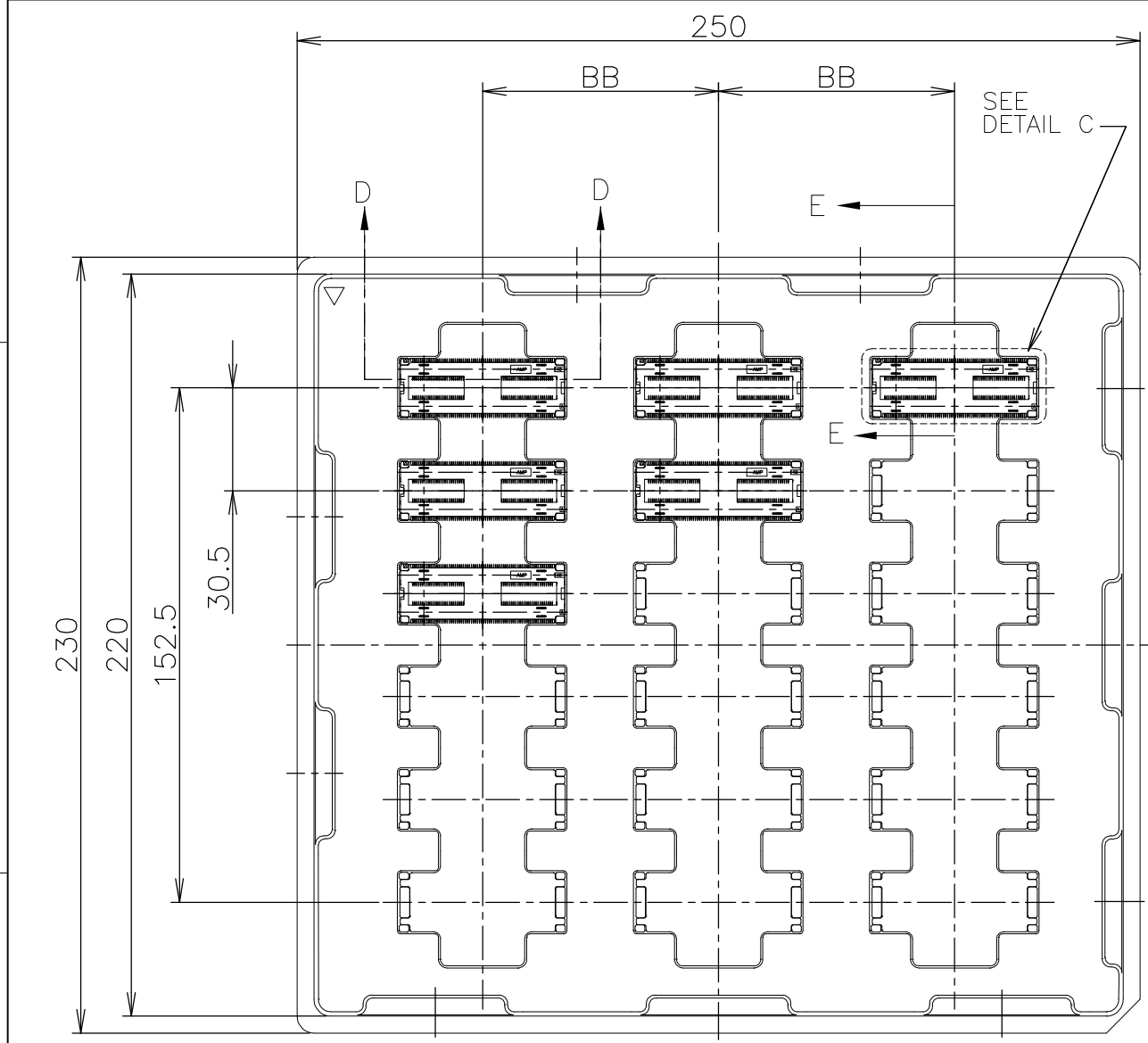
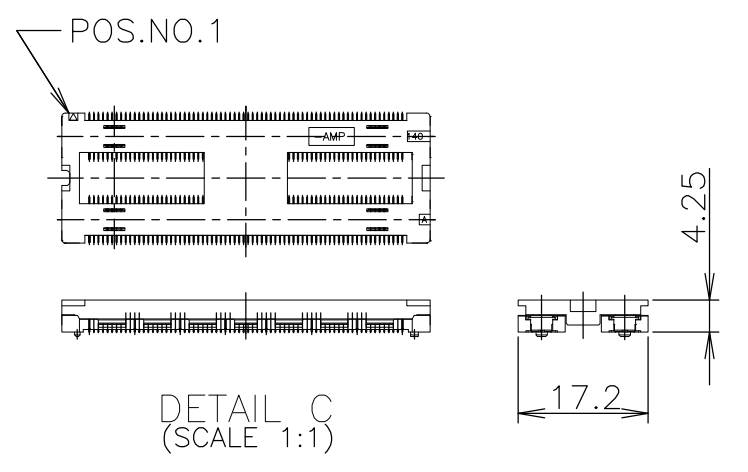


THIS DRAWING IS UNPUBLISHED. RELEASED FOR PUBLICATION DEC , 1996.  
 © COPYRIGHT 1996 By - ALL RIGHTS RESERVED.

LOC J	DIST	REVISIONS 変更			
P	LTR	DESCRIPTION	DATE	DWN	APVD
	A1	REVISED PER ECO-11-005030	11MAR11	RK	HMR



SEALANT	NOT AVAILABLE	3	18	70	54.7	320	6-5353729-1
	NOT AVAILABLE	↑	↑	↑	48.7	280	6- ↑ -0
	NOT AVAILABLE	↓	↓	↓	42.7	240	5- ↓ -9
	NOT AVAILABLE	3	18	70	36.7	200	5-5353729-8
NON SEALANT	NOT AVAILABLE	3	18	70	54.7	320	1-5353729-1
	AVAILABLE	↑	↑	↑	48.7	280	1- ↑ -0
	NOT AVAILABLE	↓	↓	↓	42.7	240	↓ -9
	NOT AVAILABLE	3	18	70	36.7	200	5353729-8
SEALANT	TOOLING STATUS	ROW	QTY	BB	AA	POS.	PART NO.



GENERAL TOLERANCE  
一般公差

10 ≥ ±0.2  
30 ≥ >10: ±0.25  
100 ≥ >30: ±0.3  
ANGLES: ±3°

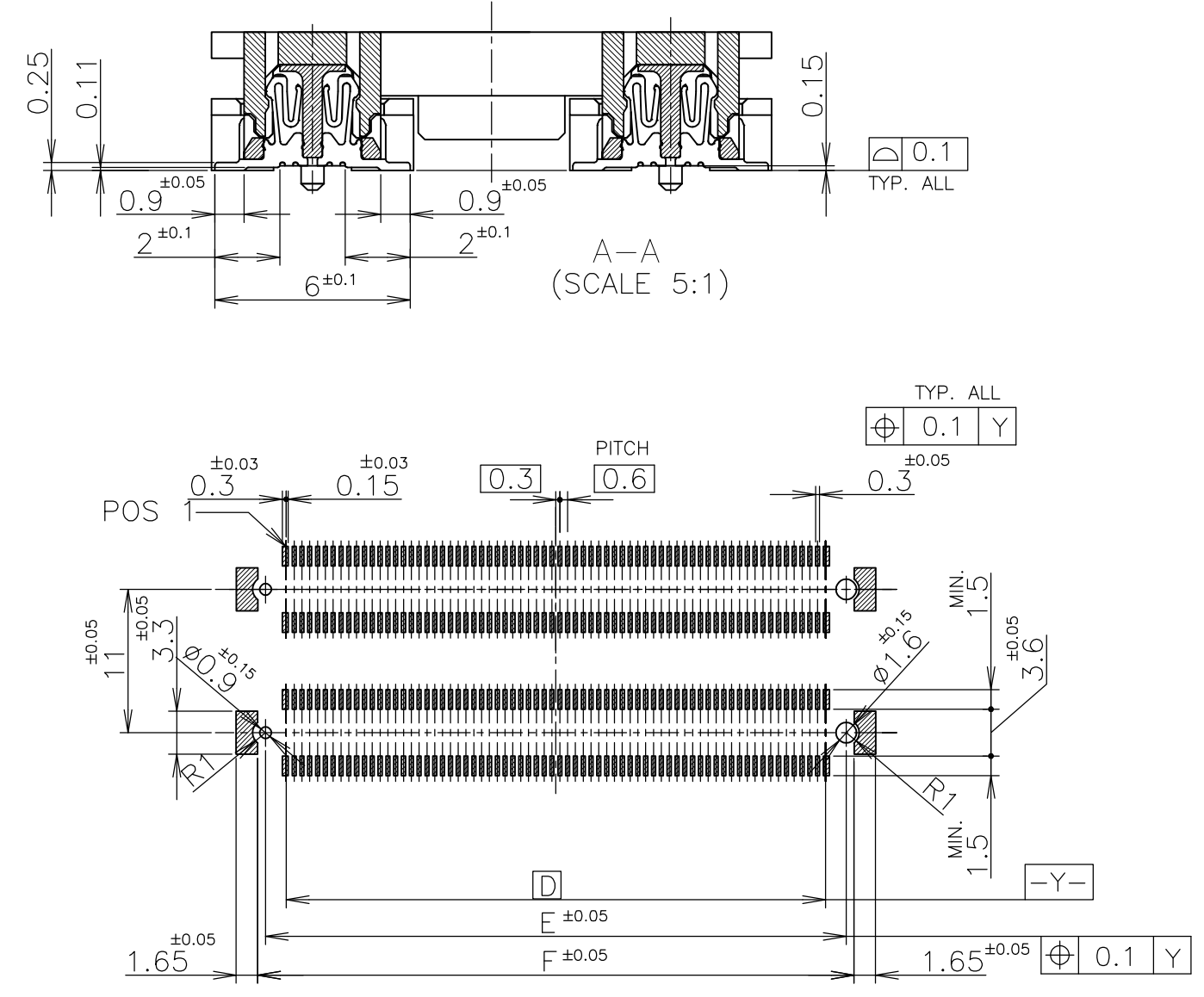
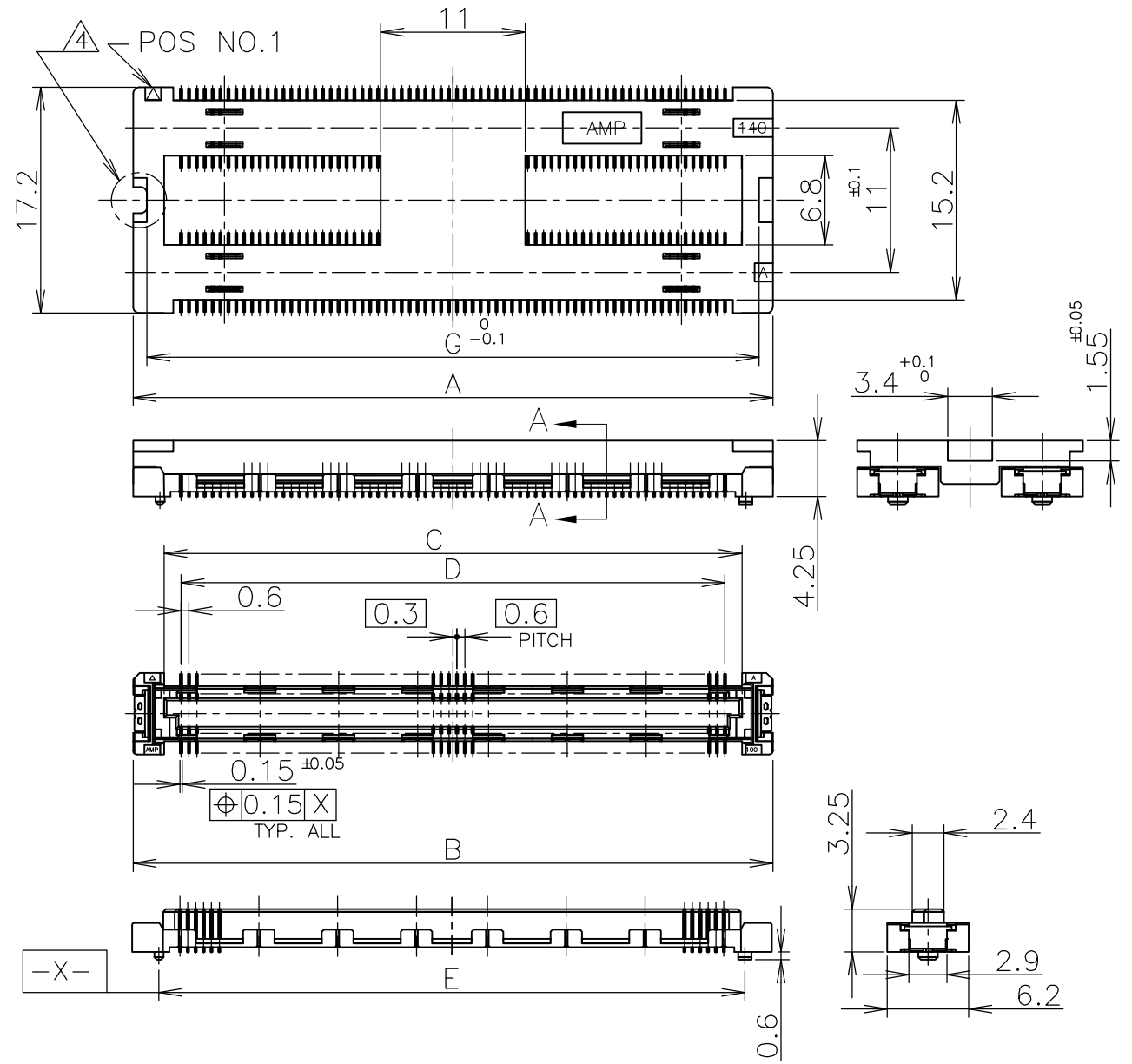
THIS DRAWING IS A CONTROLLED DOCUMENT.

DIMENSIONS: 单位: 耗 mm	TOLERANCES UNLESS OTHERWISE SPECIFIED: 一般公差	DWN LEO ZHOU 17NOV04	TE Connectivity SOFT TRAY ASSY FH 0.6BTB CONNECTOR REC 4H W/G-CONT 2ROW TYPE
	0 PLC ± -	CHK STEVEN YAO 17NOV04	
	1 PLC ± -	APVD I.ENOMOTO 17NOV04	
	2 PLC ± -	NAME 名称	
	3 PLC ± -	PRODUCT SPEC 製品規格 108-60047	SIZE A3
	4 PLC ± -	APPLICATION SPEC 取付適用規格 114-5255	
MATERIAL 材料	FINISH 仕上	WEIGHT	DRAWING NO 番号 C-5353729
CUSTOMER DRAWING			RESTRICTED TO

SCALE 1:2 SHEET 1 OF 3 REV A1

THIS DRAWING IS UNPUBLISHED. RELEASED FOR PUBLICATION DEC, 1996.  
 © COPYRIGHT 1996 By - ALL RIGHTS RESERVED.

LOC	DIST	REVISIONS			DATE	DWN	APVD
J		P	LTR	DESCRIPTION			
		-		SEE SHEET 1	-	-	-



REFERENCE P.C.BOARD LAYOUT

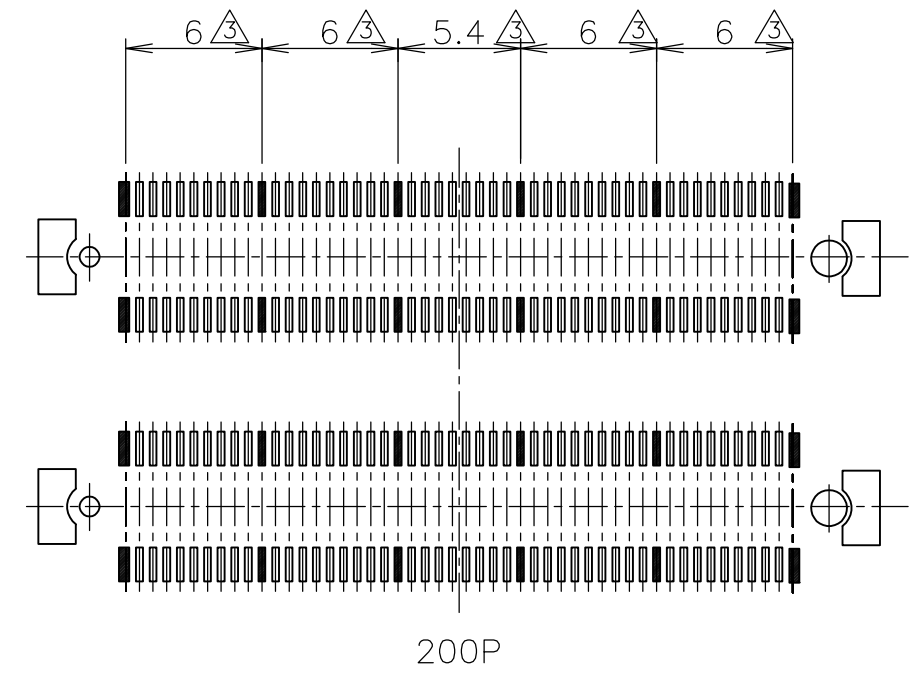
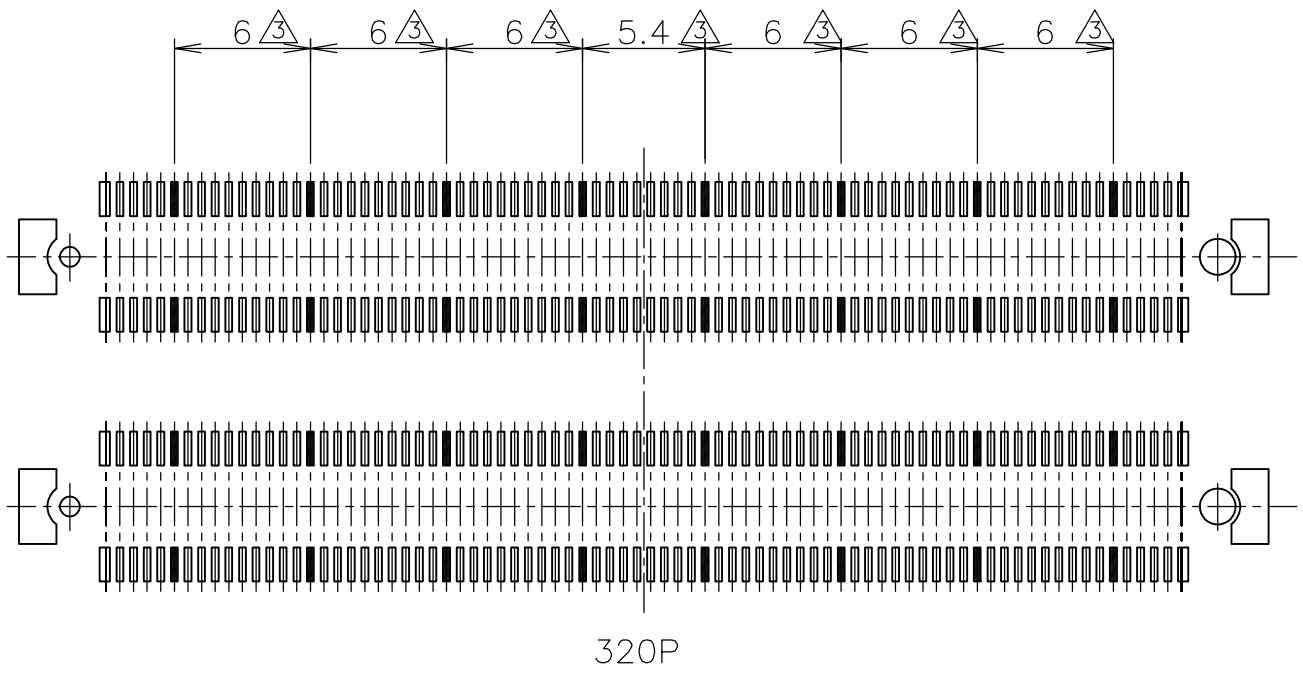
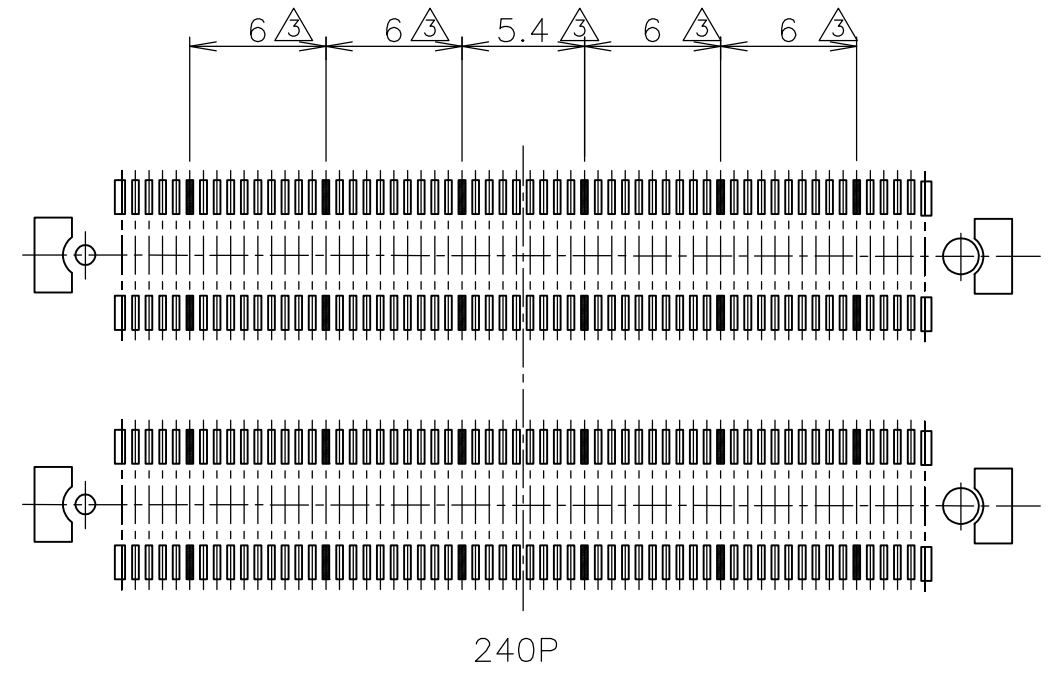
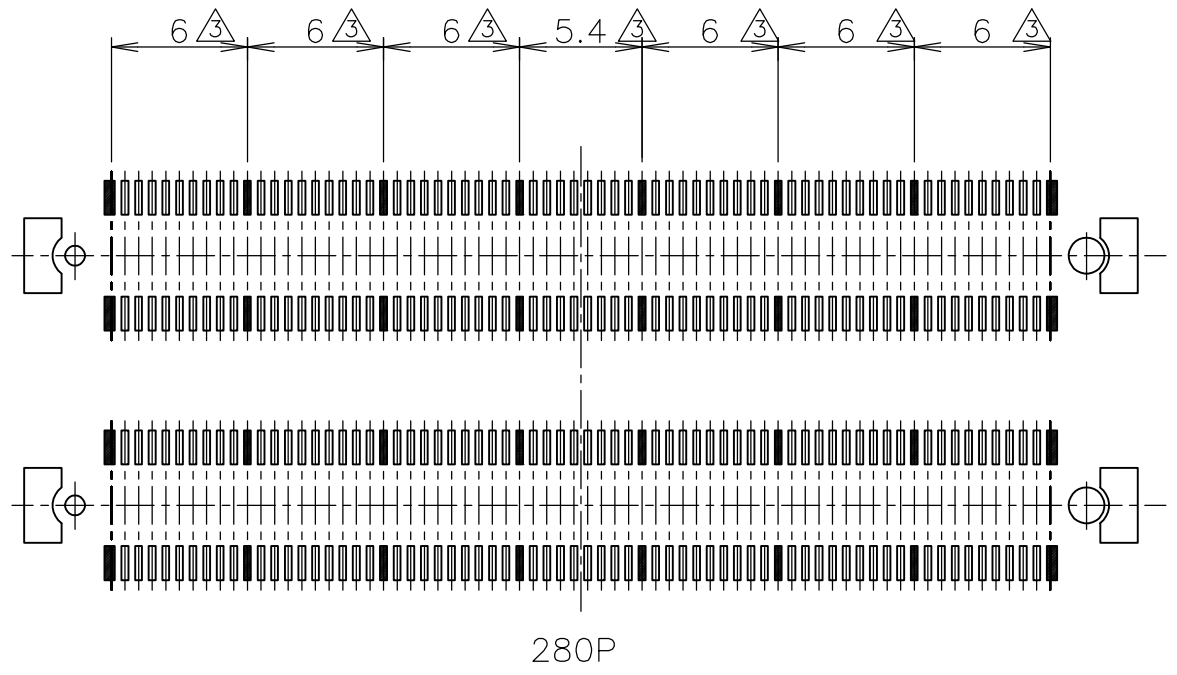
- ① MATERIAL ; HOUSING : HIGH TEMP THERMO PLASTIC  
UL94V-0  
CONTACT : COPPER ALLOY
- ② FINISH ; UNDER PL Ni 0.0013mm MIN ALL OVER.  
CONTACT AREA 0.0002 MIN Au PL.  
SOLDERING AREA  
SIGNAL POS: 0.00005 MIN Au PL.  
GROUND POS: 0.001 MIN TIN PL.
- ③ THIS POSITION IS GROUND CIRCUIT.
- ④ CAP HOUSING FOR ONLY 280P HAS THIS ORIENTATION FEATURE.
- ⑤ TRAY TYPE-1 AND TYPE-2 MUST BE PILED UP BY TURNS.  
(REFER TO PACKING SPECIFICATIONS)

NOT AVAILABLE	52.6	51.8	50.6	47.4	50	54.7	54.7	320	1-5353729-1 & 6-5353729-1
AVAILABLE	46.6	45.8	44.6	41.4	44	48.7	48.7	280	1- -0 & 6- -0
NOT AVAILABLE	40.6	39.8	38.6	35.4	38	42.7	42.7	240	-9 & 5- -9
AVAILABLE	34.6	33.8	32.6	29.4	32	36.7	36.7	200	5353729-8 & 5-5353729-8
TOOLING STATUS	G	F	E	D	C	B	A	POS	PART NO.

THIS DRAWING IS A CONTROLLED DOCUMENT.		DWN	TE Connectivity NAME 名称 SOFT TRAY ASSY FH 0.6BTB CONNECTOR REC 4H W/G-CONT 2ROW TYPE				
DIMENSIONS: 單位: 毫米 mm		CHK					
TOLERANCES UNLESS OTHERWISE SPECIFIED: 一般公差		APVD					
0 PLC ±- 1 PLC ±- 2 PLC ±- 3 PLC ±- 4 PLC ±- ANGLES ±-		PRODUCT SPEC 製品規格					
MATERIAL 材料	FINISH 仕上	WEIGHT	APPLICATION SPEC 取付適用規格	SIZE	CAGE CODE	DRAWING NO 番号	RESTRICTED TO
①	②		CUSTOMER DRAWING	A3	00779	C-5353729	
			SCALE 尺度	SHEET	REV		
			2:1	2 OF 3	A1		

THIS DRAWING IS UNPUBLISHED.      RELEASED FOR PUBLICATION      DEC , 1996.  
 © COPYRIGHT 1996 By -      ALL RIGHTS RESERVED.

LOC	DIST	REVISIONS			DATE	DWN	APVD
		P	LTR	DESCRIPTION			
J		-	-	SEE SHEET 1	-	-	-



THIS DRAWING IS A CONTROLLED DOCUMENT.		DWN	<b>STE</b> TE Connectivity		
DIMENSIONS: 單位: 耗 mm		CHK			
TOLERANCES UNLESS OTHERWISE SPECIFIED: 一般公差		APVD	NAME 名稱		
0 PLC ± -		PRODUCT SPEC 製品規格	SOFT TRAY ASSY		
1 PLC ± -		APPLICATION SPEC 取付適用規格	FH 0.6BTB CONNECTOR		
2 PLC ± -		WEIGHT	SIZE	CAGE CODE	DRAWING NO
3 PLC ± -		CUSTOMER DRAWING	A3	00779	C-5353729
4 PLC ± -			SCALE 尺度	3:1	SHEET 3 OF 3
ANGLES ± -		RESTRICTED TO			
FINISH 仕上					