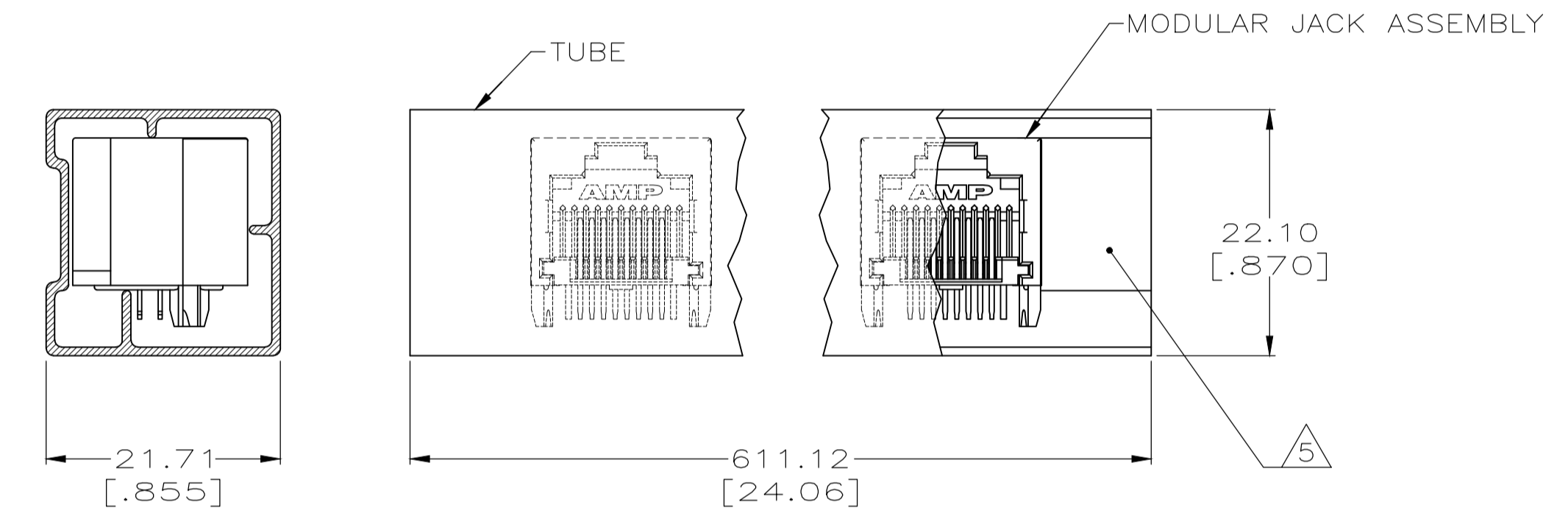
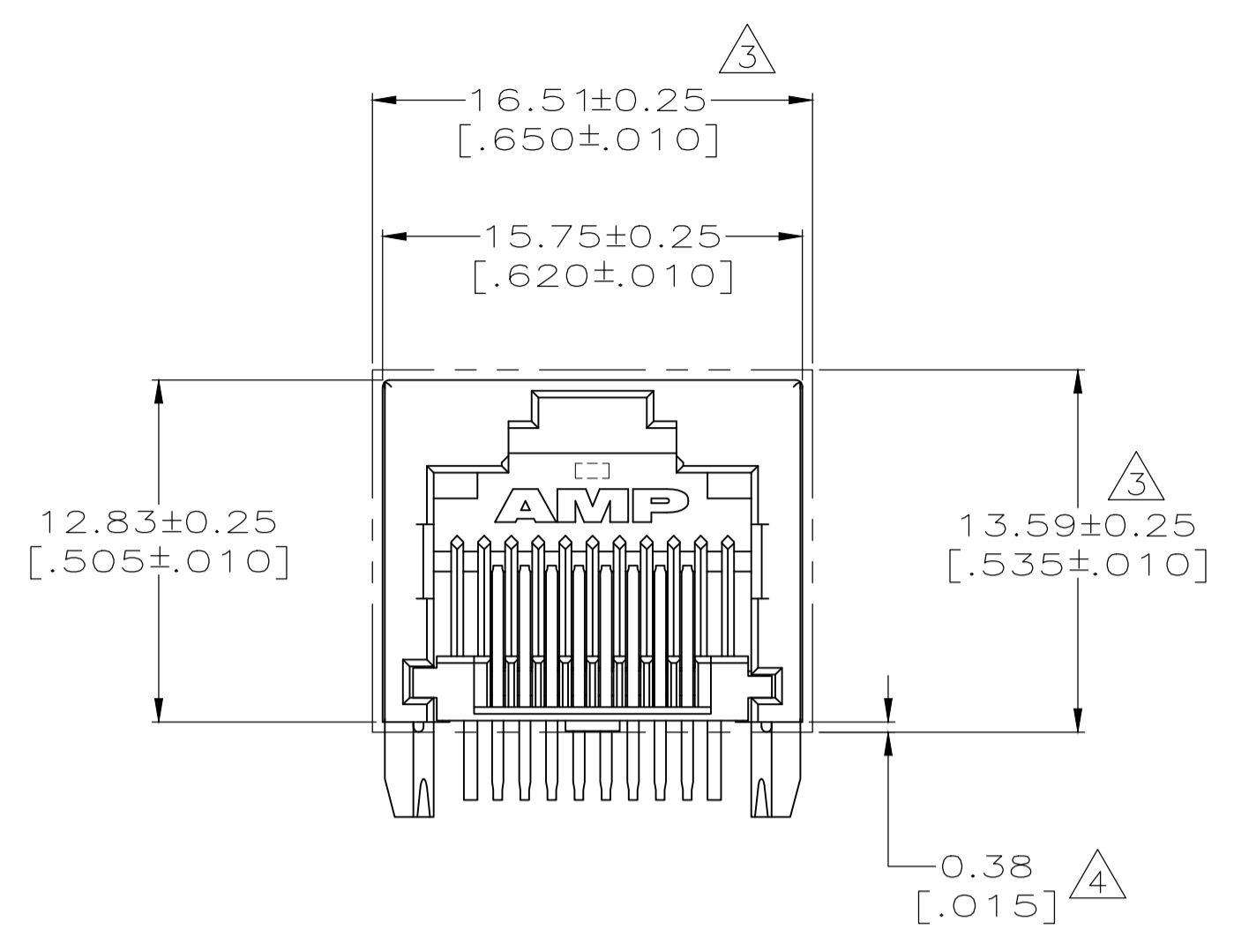
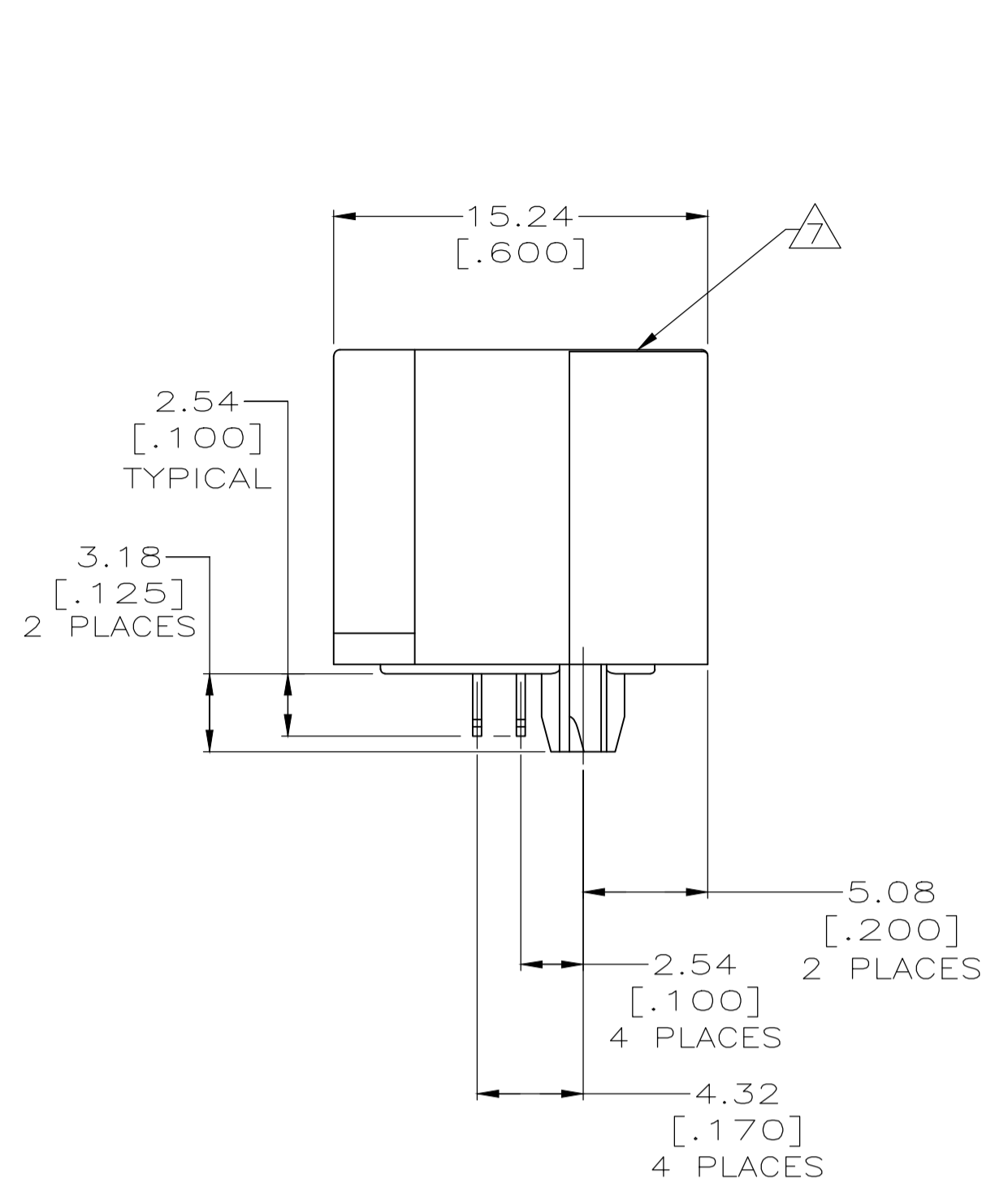
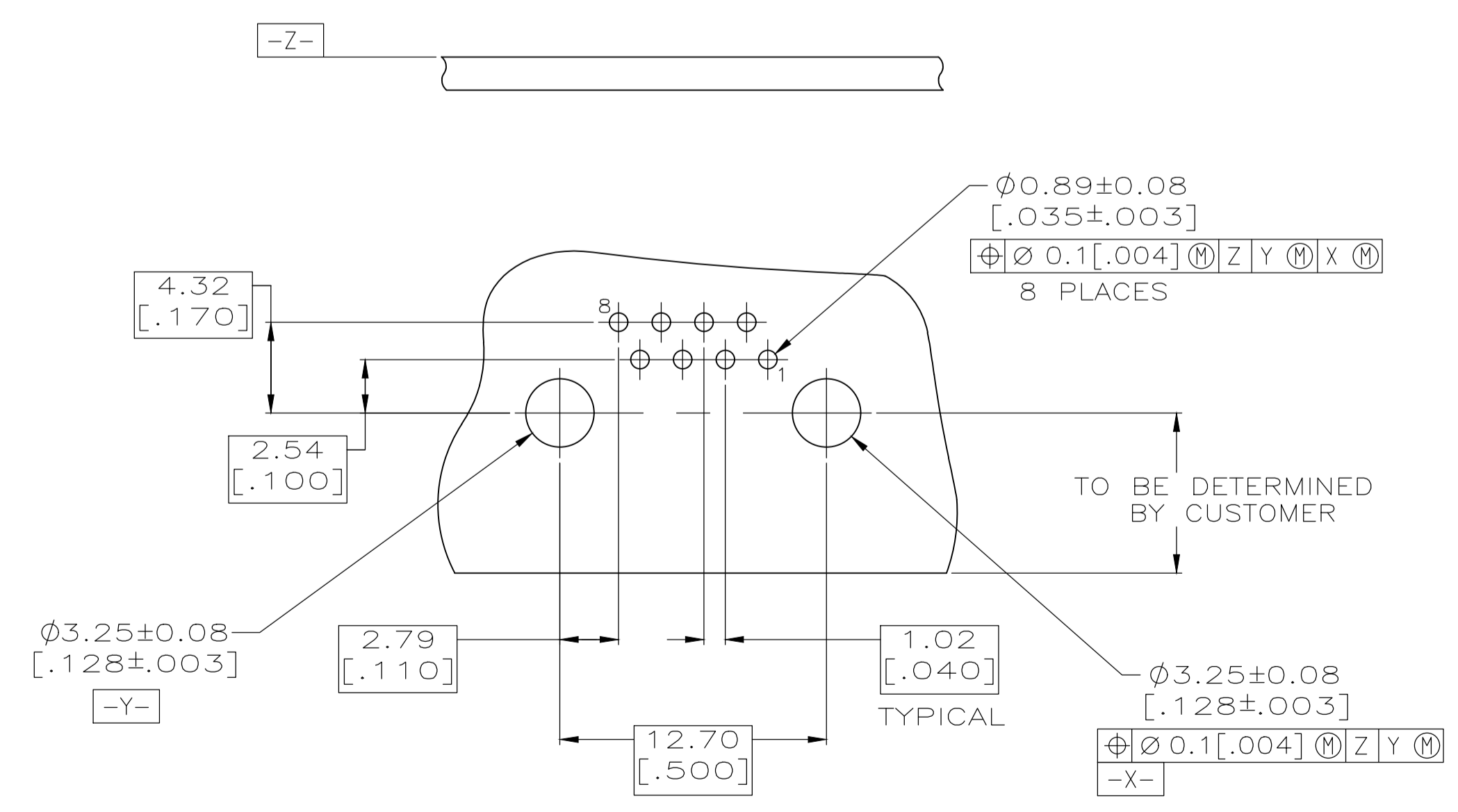


REVISIONS				
REV	DATE	DESCRIPTION	BY	APP'D
F	27FEB2020	REVISED PER ECO-14-018192	IT	SH



DETAIL A
TUBE PACKAGING
SCALE 2:1



SUGGESTED PRINTED CIRCUIT BOARD LAYOUT
(COMPONENT SIDE)

- △ MATERIAL:
HOUSING - HIGH TEMPERATURE THERMOPLASTIC, BLACK, UL94V-0; IR REFLOW SOLDERING PROCESS COMPATIBLE.
TERMINALS - .36[.014] THICK PHOS BRONZE PLATED WITH 3.81µm[.000150] MINIMUM THICK (SEE P/N TABLE) IN SOLDER AREA. 1.27µm [0.00050] MINIMUM GOLD IN LOCALIZED PLATE AREA. ENTIRE TERMINAL PLATED WITH 1.27µm [0.00050] MINIMUM THICK NICKEL.
- 2. JACK CAVITY CONFORMS TO FCC RULES AND REGULATIONS PART 68, SUBPART F.
- △ SUGGESTED PANEL OPENING DIMENSIONS.
- △ SUGGESTED CLEARANCE BETWEEN BOTTOM OF CONNECTOR AND BOTTOM PANEL OPENING.
- △ PACKAGED 35 PIECES PER TUBE, SEE DETAIL "A".
- △ 80 PIECES/TRAY, 10 TRAYS/BOX.
- △ MANUFACTURING DATE CODE:
INK STAMP, LOCATED APPROX. AS SHOWN.
FIRST 2 DIGITS = LAST 2 DIGITS OF YEAR.
NEXT 2 DIGITS = MANUFACTURING WORK WEEK.
LAST DIGIT = DAY OF WEEK WITH SUNDAY = 1.

OBSOLETE	MATTE TIN	△ TUBE	1-406525-3
	MATTE TIN	△ TRAY, PICK & PLACE COMPATIBLE	1-406525-2
	MATTE TIN	TRAY	1-406525-1
OBSOLETE	BRIGHT TIN-LEAD	△ TUBE	406525-3
OBSOLETE	BRIGHT TIN-LEAD	△ TRAY, PICK & PLACE COMPATIBLE	406525-2
OBSOLETE	BRIGHT TIN-LEAD	TRAY	406525-1
	△ TERMINAL PLATING	PACKAGING	PART NUMBER

THIS DRAWING IS A CONTROLLED DOCUMENT.		DMN G. GARRETT 17SEP97	TE Connectivity	
DIMENSIONS: mm [INCHES]		CHK G. GARRETT 17SEP97	NAME INVERTED MODULAR JACK ASSEMBLY, 1X1	
TOLERANCES UNLESS OTHERWISE SPECIFIED:		APVD M. DERSTINE 17SEP97	PRODUCT SPEC 108-1163-4	
0 PLC ± -		APPLICATION SPEC 114-2154		
1 PLC ± 0.25[.010]		SIZE A1		CAGE CODE 00779
2 PLC ± 0.13[.005]		DRAWING NO 406525		RESTRICTED TO
3 PLC ± -		WEIGHT 0.000000		SCALE 4:1
4 PLC ± -		CUSTOMER DRAWING		SHEET 1 OF 1
ANGLES ± -		REV F		