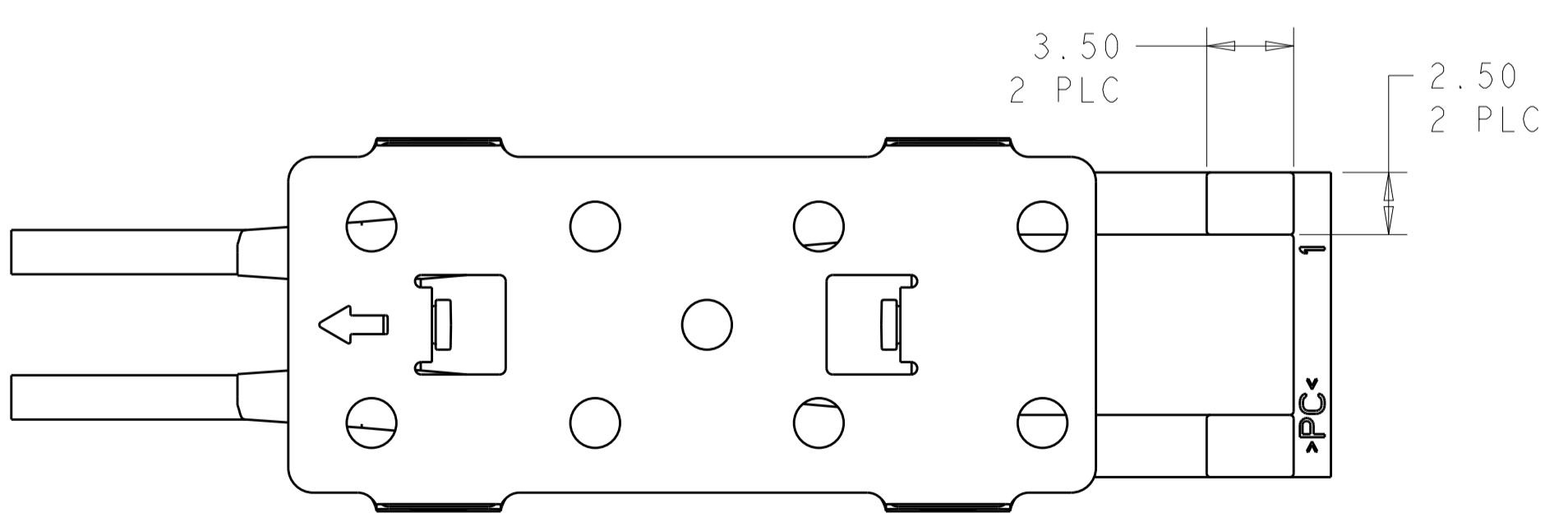
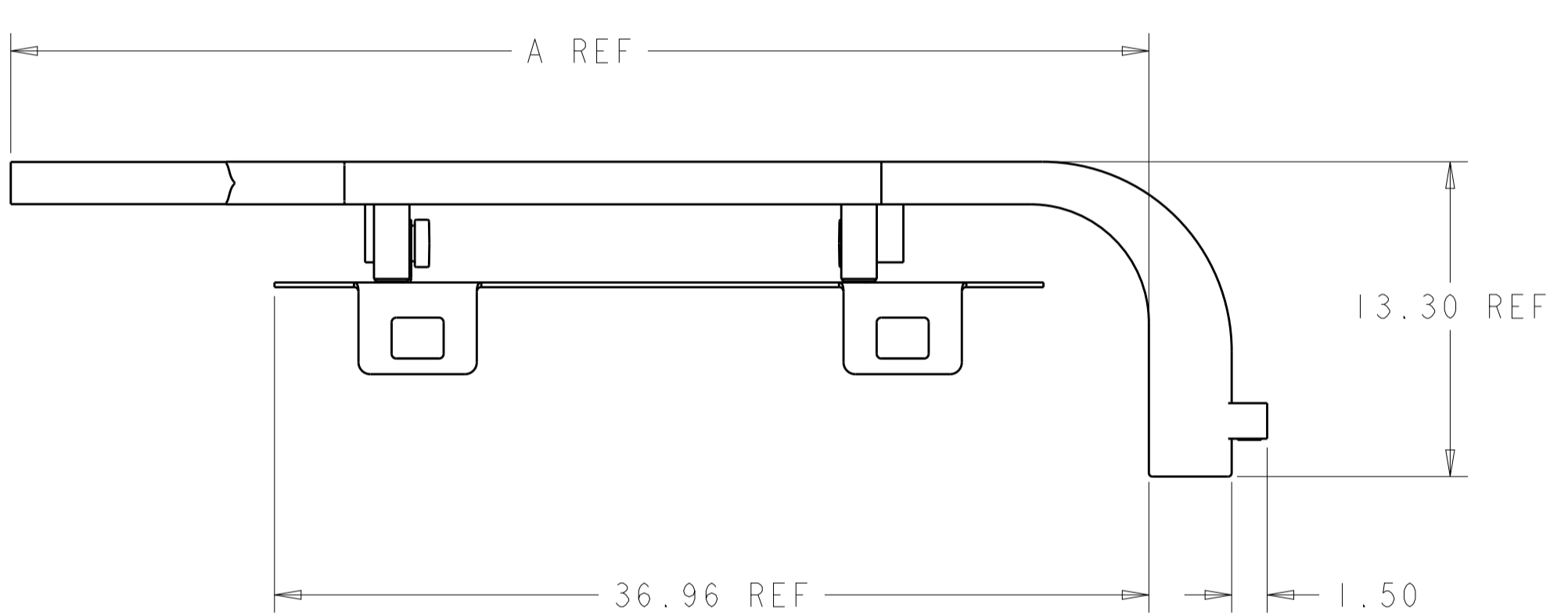
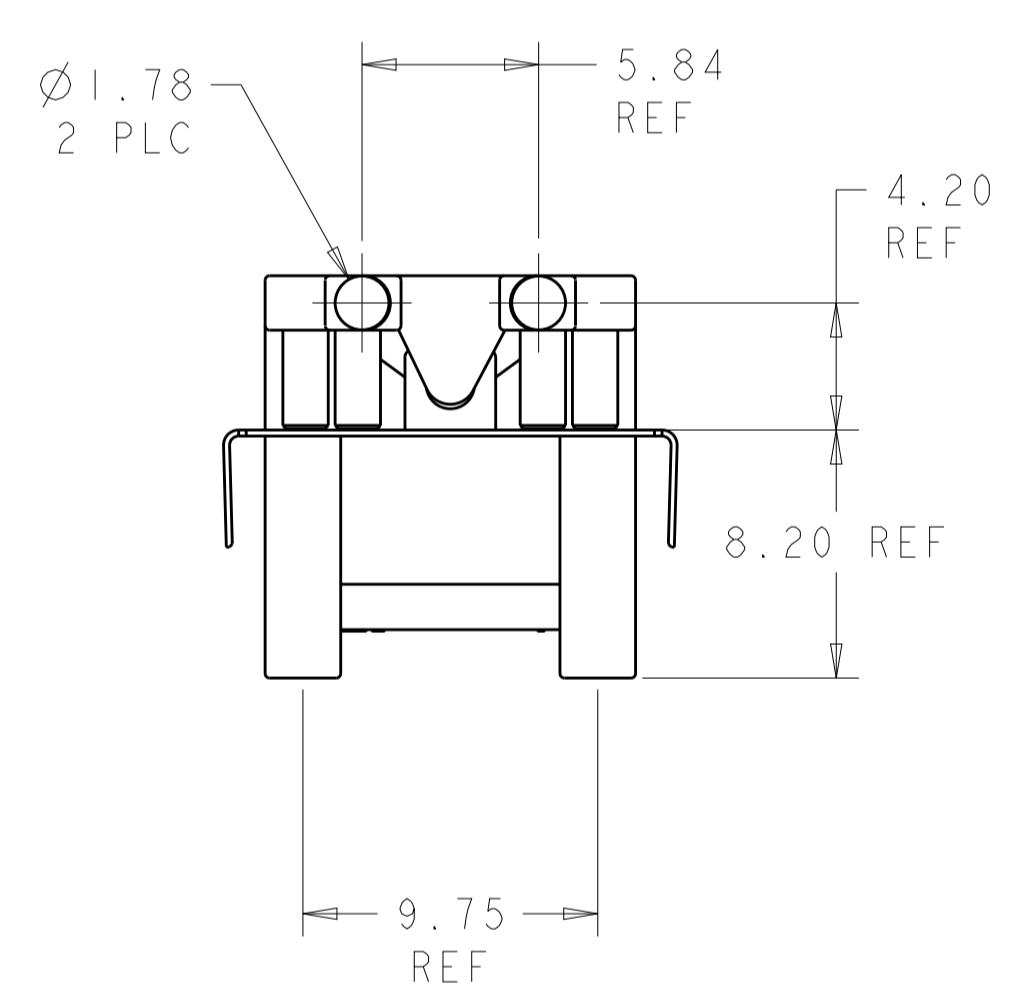
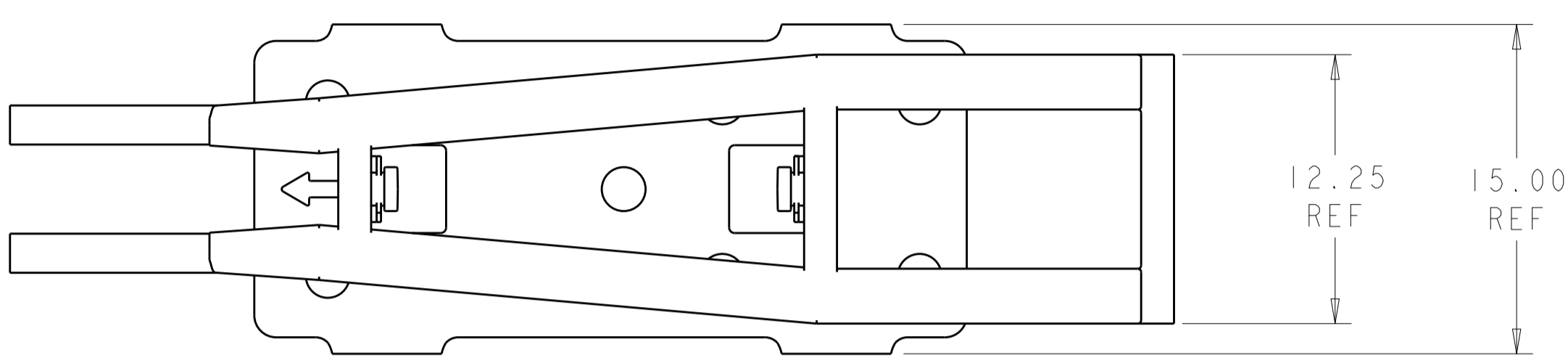
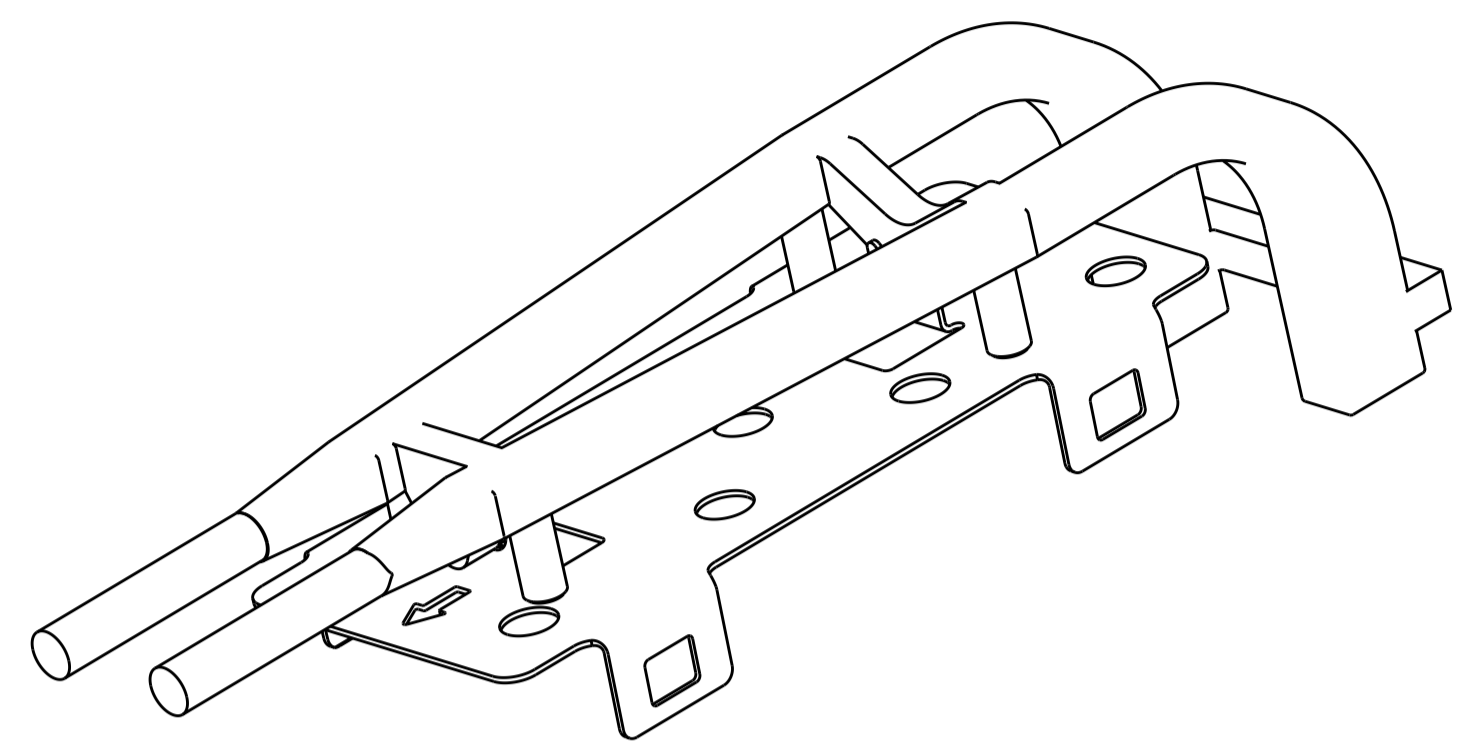


LOC		DIST		REVISIONS					
ES		00		P	LTN	DESCRIPTION	DATE	DWN	APVD
B						ECO-08-002182	14JAN08	ML	SY
C						REVISED PER ECO-12-003825	17FEB2012	JY	AC
D						REVISED PER ECO-19-001591	31JAN2019	ES	SH



1. MATERIAL:
 LIGHTPIPE: POLYCARBONATE, CLEAR
 LIGHTPIPE BRACKET: STAINLESS STEEL.

46.90	1367627-8
47.00	1367627-2
48.10	1367627-1
DIM A	PART NUMBER

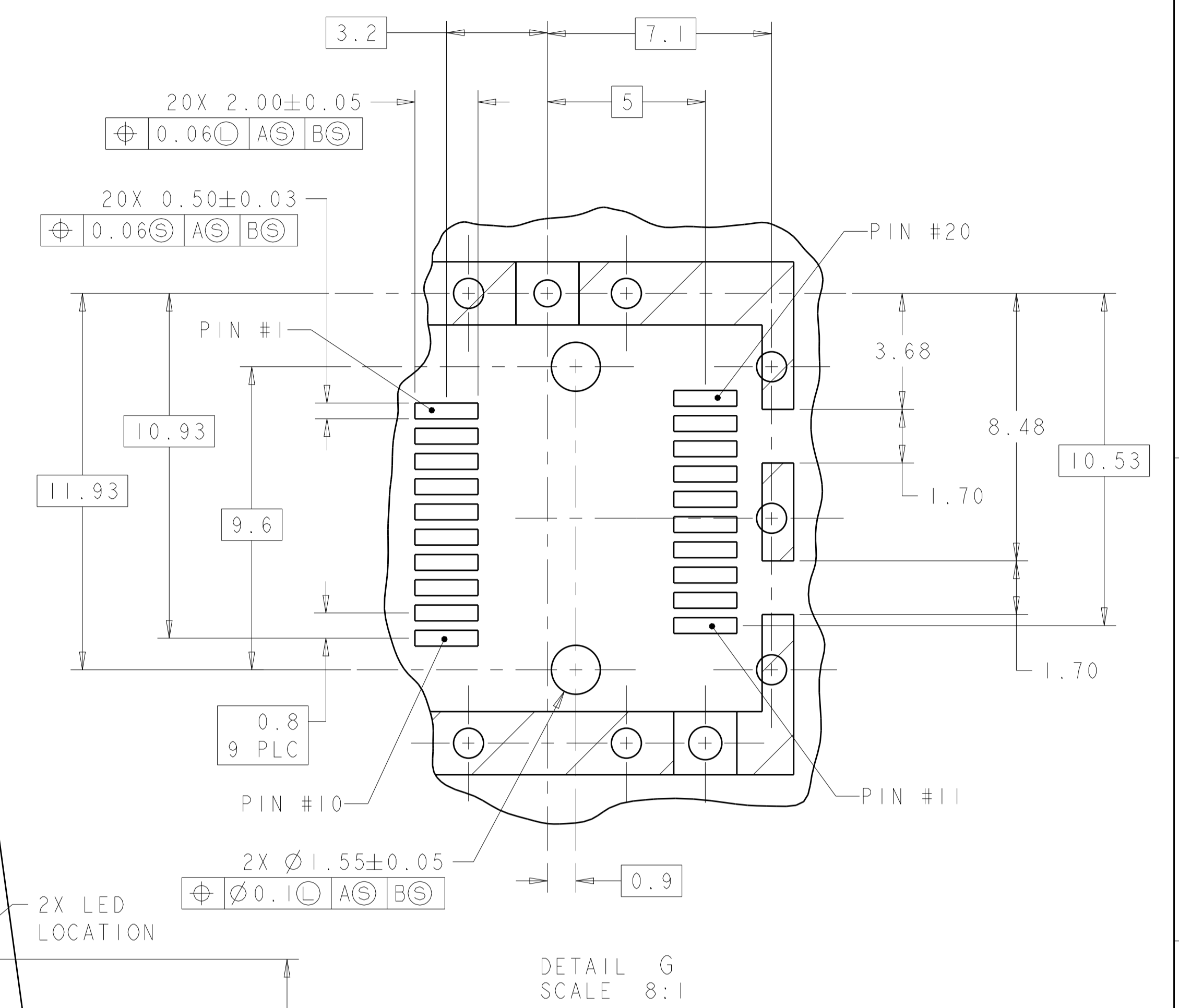
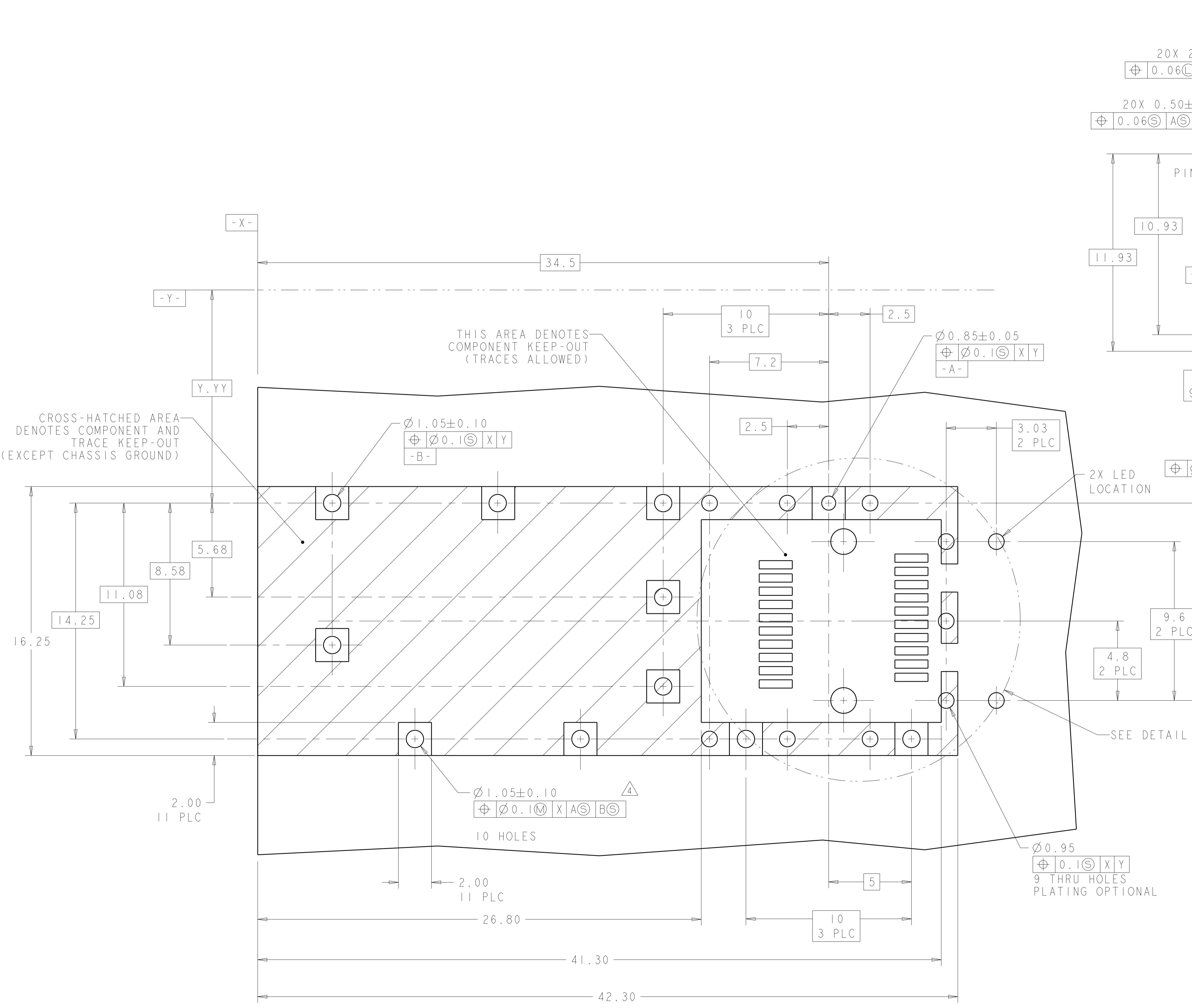
THIS DRAWING IS A CONTROLLED DOCUMENT.

DIMENSIONS:	TOLERANCES UNLESS OTHERWISE SPECIFIED:	DWN: ERIC SHI 31JAN2019	CHK: SEAN HAN 31JAN2019	APVD: SEAN HAN 31JAN2019
mm	0 PLC ± 1 PLC ± 2 PLC ±0.10 3 PLC ± 4 PLC ± ANGLES ±	NAME: SEAN HAN		
MATERIAL: -		PRODUCT SPEC: -		
FINISH: -		APPLICATION SPEC: -		
CUSTOMER DRAWING		WEIGHT: -		
SCALE: 2:1		SIZE: A1		
SHEET 1 OF 3		CAGE CODE: 100779		
REV D		DRAWING NO: 1367627		

TE Connectivity
 LIGHT PIPE ASSEMBLY FOR IXI SFP

LOC	DIST	REV	DATE	BY	APPD
ES	00				

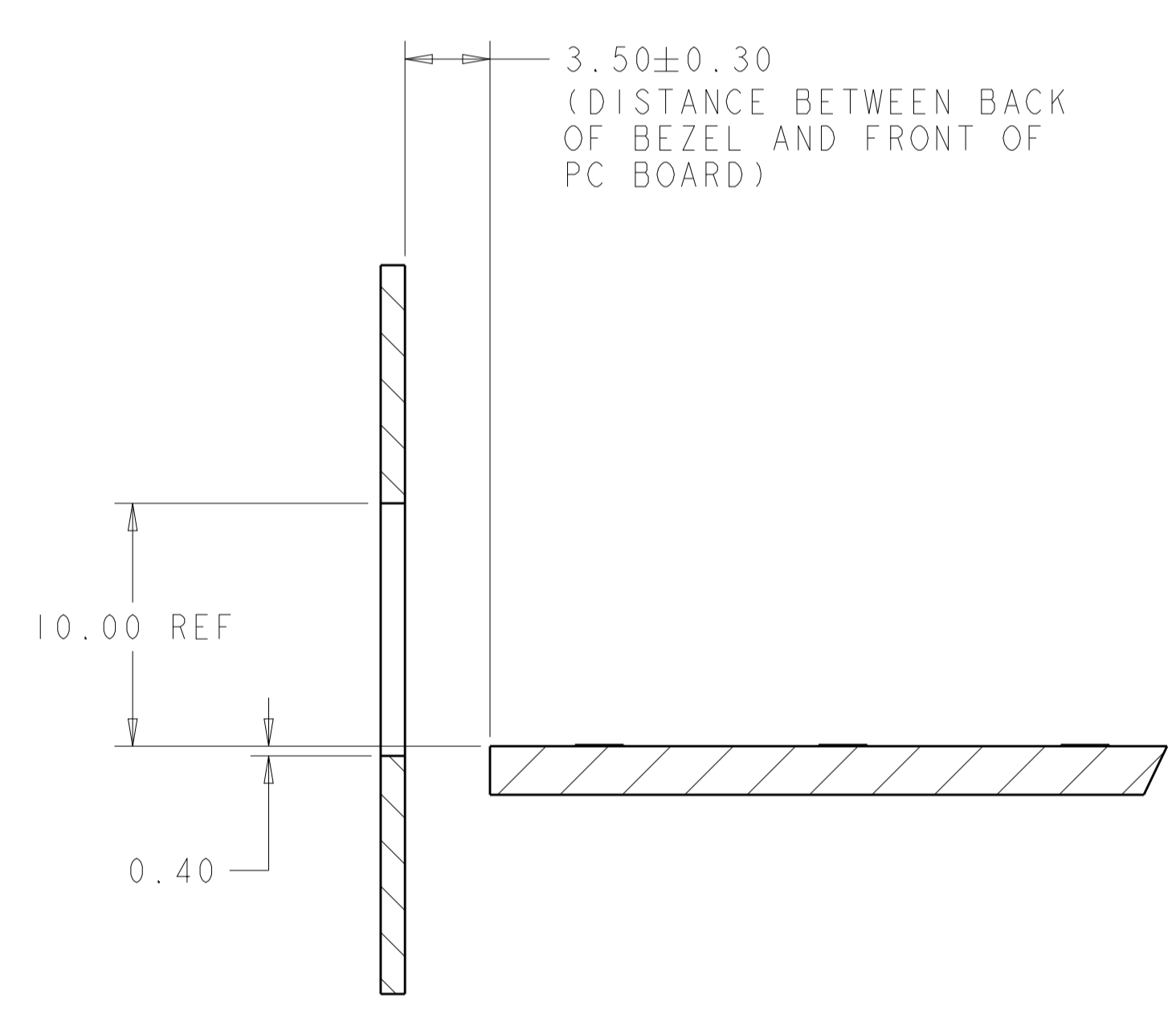
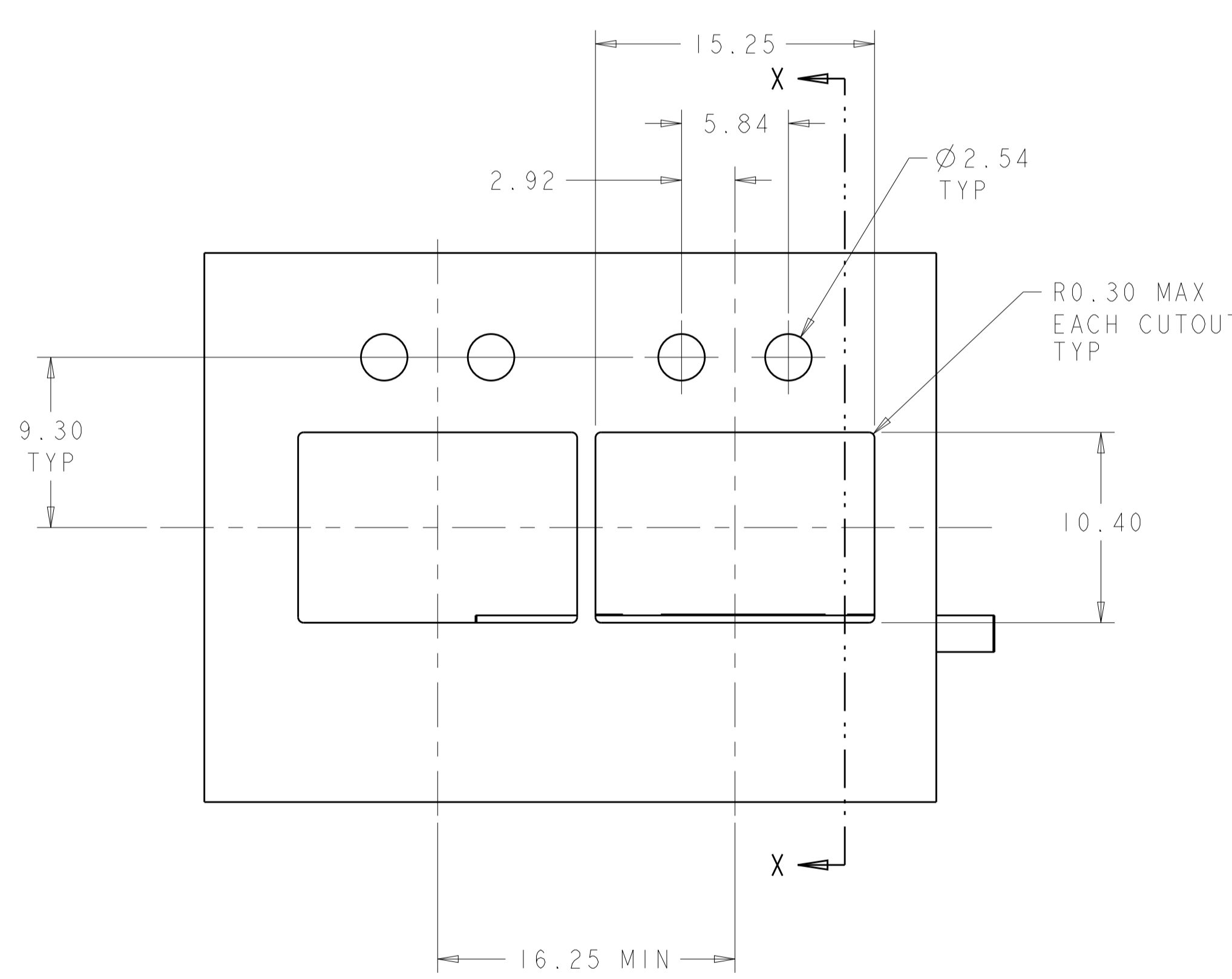
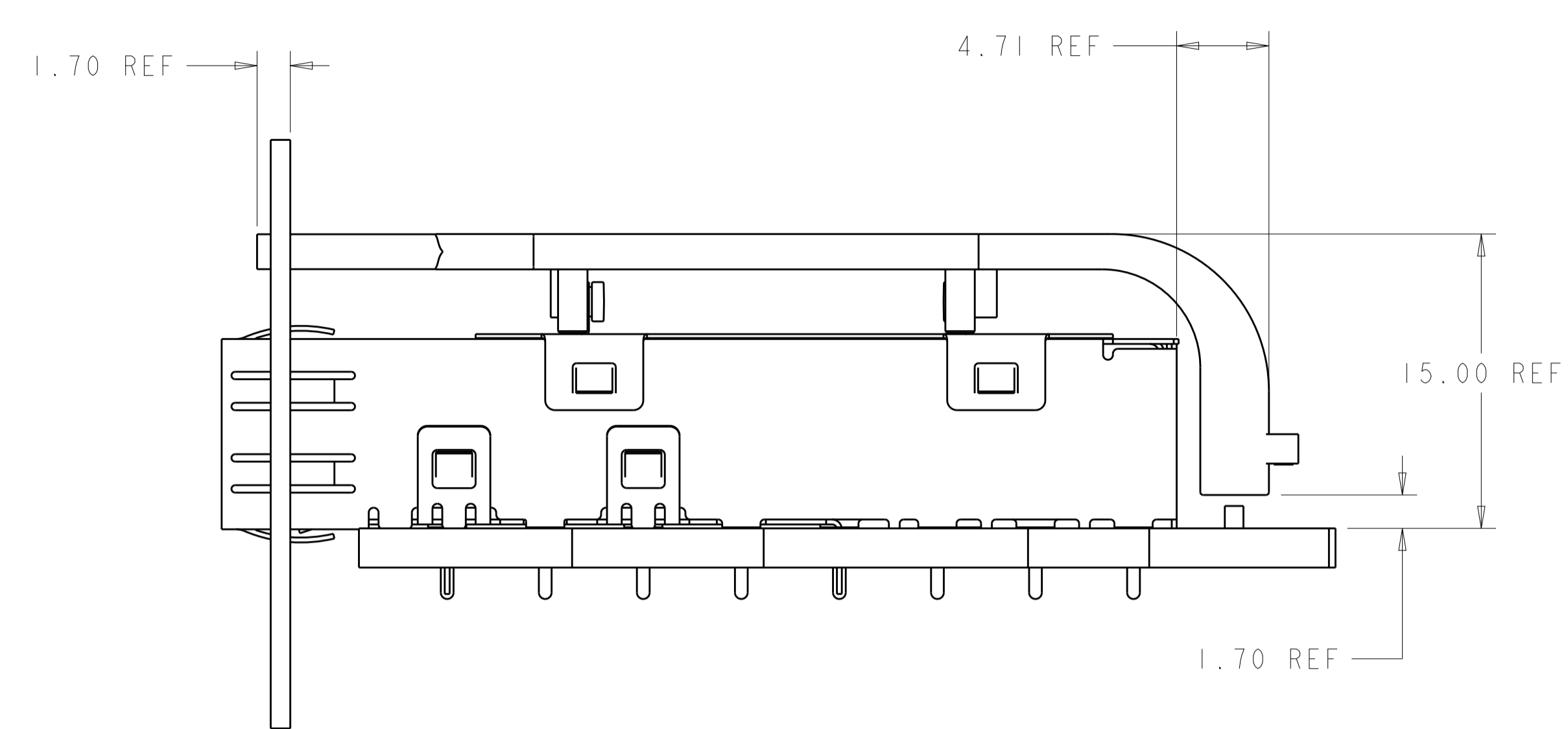
REVISIONS		DATE	BY	APPD
1	SEE SHEET 1			



RECOMMENDED PCB LAYOUT
SCALE 8:1

THIS DRAWING IS A CONTROLLED DOCUMENT.		OWN: ERIC SHI 31JAN2019	TE Connectivity
DIMENSIONS: mm		CHK: SEAN HAN 31JAN2019	
TOLERANCES UNLESS OTHERWISE SPECIFIED:		APPD: SEAN HAN 31JAN2019	NAME: LIGHT PIPE ASSEMBLY FOR IXI SFP
0 PLC ±	1 PLC ±0.10	PRODUCT SPEC	SIZE: CAGE CODE: DRAWING NO: A100779C=1367627
2 PLC ±	3 PLC ±	APPLICATION SPEC	RESTRICTED TO:
4 PLC ±	ANGLES ±	WEIGHT	SCALE: 2:1 SHEET 2 OF 3 REV D
MATERIAL:	FINISH:	CUSTOMER DRAWING	

LOC		DIST		REVISIONS			
P	LTN	DESCRIPTION	DATE	DMN	APVD		
-	-	SEE SHEET 1	-	-	-		



SECTION X-X

RECOMMENDED BEZEL CUTOUT AND PC BOARD-BEZEL POSITION

THIS DRAWING IS A CONTROLLED DOCUMENT.		DMN: ERIC SHI 31JAN2019	TE Connectivity
DIMENSIONS: mm		CHK: SEAN HAN 31JAN2019	
TOLERANCES UNLESS OTHERWISE SPECIFIED:		APVD: SEAN HAN 31JAN2019	NAME: -
0 PLC	±	PRODUCT SPEC	LIGHT PIPE ASSEMBLY FOR IXI SFP
1 PLC	±0.10	APPLICATION SPEC	SIZE: A100779 C=1367627
2 PLC	±	WEIGHT	RESTRICTED TO
3 PLC	±	CUSTOMER DRAWING	SCALE: 2:1 SHEET 3 OF 3 REV D
4 PLC	±		
ANGLES	±		
FINISH	-		