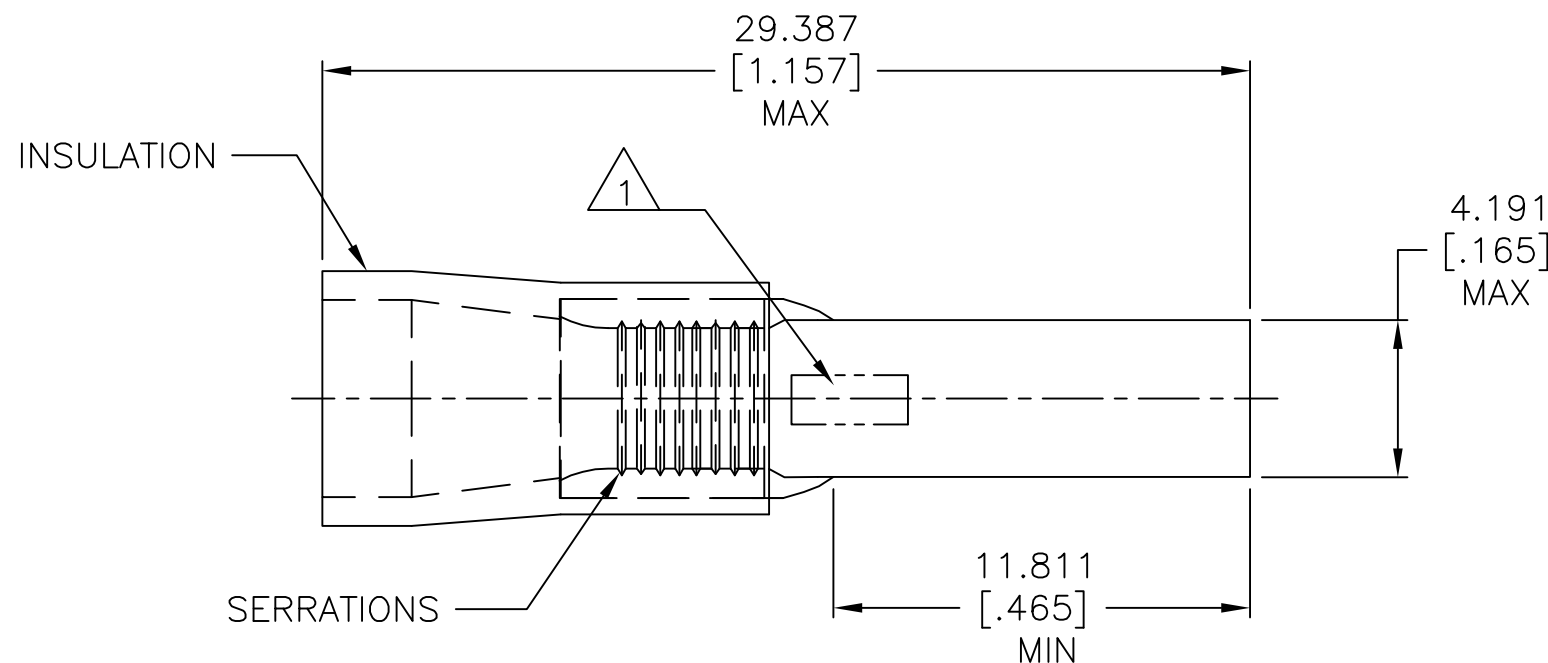
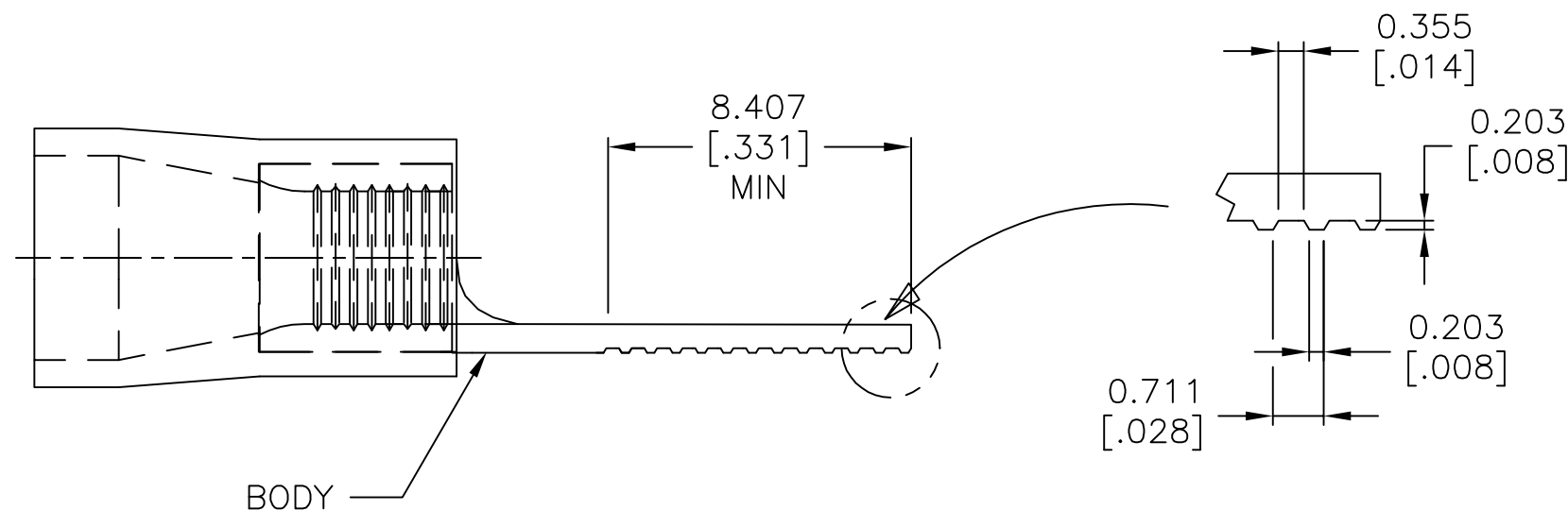


P	LTR	DESCRIPTION	DATE	DWN	APVD
B3		REVISED PER ECO-11-020548	02FEB12	KH	DR
B4		REVISED PER ECO-17-008809	20JUN2017	RS	DR



- 1 STAMP AMP 12-10 APPROX AS SHOWN.
- 2 WIRE INSULATION DIA: $\phi 3.784-6.400[\phi .149-.252]$
- 3 BODY MATERIAL THICKNESS IS 1.016 ± 0.050 $[\ .040 \pm .002]$
- 4 600 VOLT MAX.
- 5 CIRCULAR MIL AREA: 5,180-13,100 (2.62mm²-6.63mm²).
- 6 MAXIMUM TEMPERATURE 105°C [221°F]



LOOSE PIECE	500	131445
PACKAGING TYPE	QTY	PART NO

THIS DRAWING IS A CONTROLLED DOCUMENT.		DWN jr_ruth 29MAR06	TE Connectivity				
DIMENSIONS: mm [INCHES]		CHK T MICHELUTTI 29MAR06					
TOLERANCES UNLESS OTHERWISE SPECIFIED:		APVD T MICHELUTTI 29MAR06	NAME TERMINAL, TAB, PLASTI-GRIP, 12-10 AWG				
0 PLC ± - 1 PLC ± - 2 PLC ± - 3 PLC ± 0.127[.005] 4 PLC ± - ANGLES ± 1°		PRODUCT SPEC -	APPLICATION SPEC 114-2161				
MATERIAL BODY: COPPER PER ASTM B152 INSULATION: PVC		FINISH BODY: TIN PLATE PER ASTM B545 INSULATION COLOR: YELLOW	WEIGHT -	SIZE A3	CAGE CODE 00779	DRAWING NO C=131445	RESTRICTED TO -
CUSTOMER DRAWING			SCALE 5:1	SHEET 1 OF 1	REV B4		